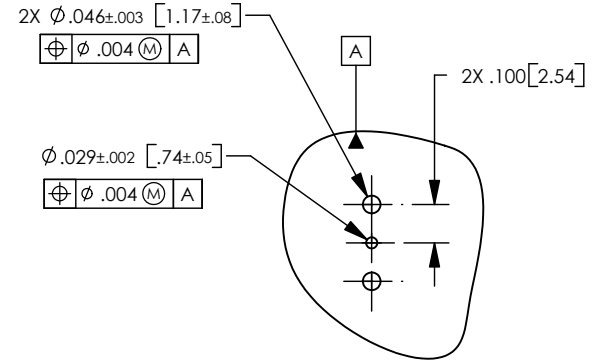
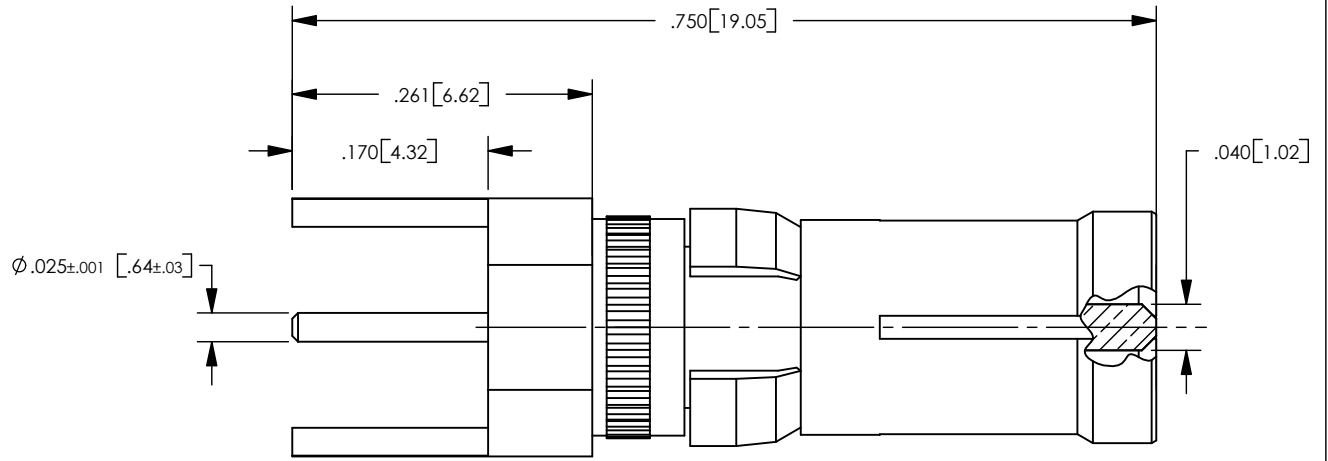
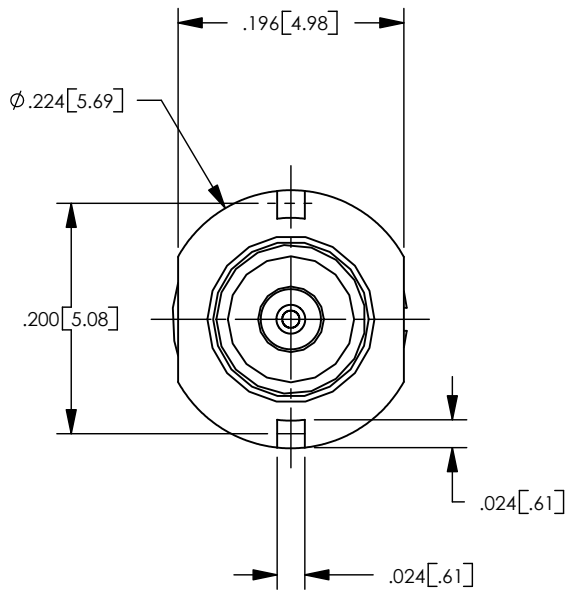


REV	DESCRIPTION	BY DATE	APPD
A	RELEASED PER ECR# 8830	GCP 02/09/06	RDG



CATALOG NO. 311-010-61411G

RECOMMENDED HOLE LAYOUT

NOTES: UNLESS OTHERWISE SPECIFIED

1. MATERIALS:

- BODY: BERYLLIUM COPPER PER ASTM B196
- CONTACT: BRASS PER ASTM B16
- INSULATOR: TEFLON PER ASTM D1710
- CLIP RING: BERYLLIUM COPPER PER ASTM B194

2. FINISH:

- CLIP RING: .000100 MIN. NICKEL PER QQ-N-290 OVER COPPER FLASH
- ALL OTHER METAL PARTS: .000050 MIN. GOLD PER MIL-G-45204 OVER .000050 MIN. NICKEL PER QQ-N-290

PER ASME Y14.5M-1994
 UNLESS OTHERWISE SPECIFIED:
 DIMENSIONS ARE IN INCHES [MM]
 TOLERANCES:
 DECIMAL: .XX ± .01 [0.254]
 .XXX ± .005 [0.127]
 .XXXX ± .XXXX
 ANGLES: ± 2° SCALE: 6:1

NORTHROP GRUMMAN

Winchester Electronics 62 Barnes Industrial Road North
 Wallingford, CT 06492

CUSTOMER DRAWING

KNURLED 31 SERIES RECEPTACLE

DRAWN	DATE	APPROVED	DATE
GCP	02/09/06	RDG	02/09/06
APPROVED	DATE	APPROVED	DATE
XXX	XX/XX/XX	XXX	XX/XX/XX

A	SD311-010-61411	SHT 1 OF 1	REV A
----------	-----------------	------------	--------------