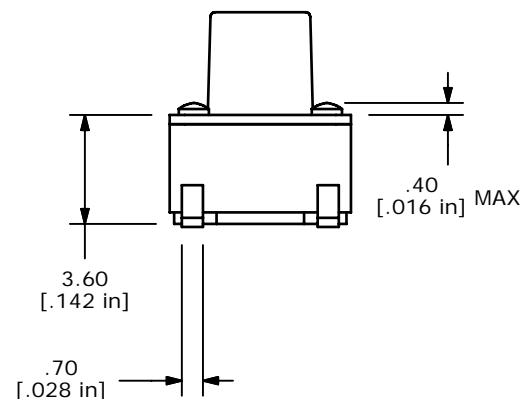
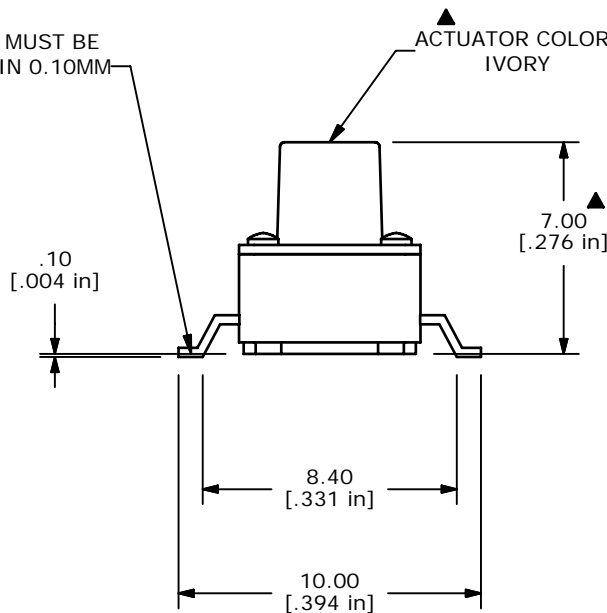


▲ ALL TERMINALS MUST BE COPLANAR WITHIN 0.10MM TOTAL

▲ ACTUATOR COLOR: IVORY



- NOTES:
1. ALL DIMENSIONS IN MM
 2. GENERAL TOLERANCE: X.X=±0.4
X.XX=±0.25
 3. TERM. NOS. FOR REFERENCE ONLY.
 4. RATING: 12VDC, 50mA
 5. OPERATING FORCE: 260 ± 50 gms
 6. TRAVEL: 0.25mm ±0.1
 7. CONTACT RESISTANCE: 100 MILLI OHMS MAX. (INITIAL)
 8. MECHANICAL/ELECTRICAL LIFE 100,000 CYCLES MIN.
 9. SILVER CONTACTS
 10. ▲ DENOTES CRITICAL PARAMETER
 11. 2002/95/EC (ROHS) COMPLIANT.
 12. PACKAGING: TAPE AND REEL, 700 PIECES PER REEL



| | | | | |
|---------------------|----------------|-------|-------------|-------|
| TITLE TL3301FF260QG | | | | |
| SCALE | DATE 9/28/2012 | DR rc | DWG J100532 | REV A |

| | | | | |
|-----|--------|-------------|---------|----|
| A | 20789 | NEW RELEASE | 9/28/12 | rc |
| REV | PCR NO | DESCRIPTION | DATE | BY |

THE INFORMATION CONTAINED IN THIS DOCUMENT IS PROPRIETARY TO E-SWITCH AND IS NOT TO BE COPIED OR TRANSFERRED