

APBD3224SGNC SUPER BRIGHT GREEN
 PURE ORANGE

Features

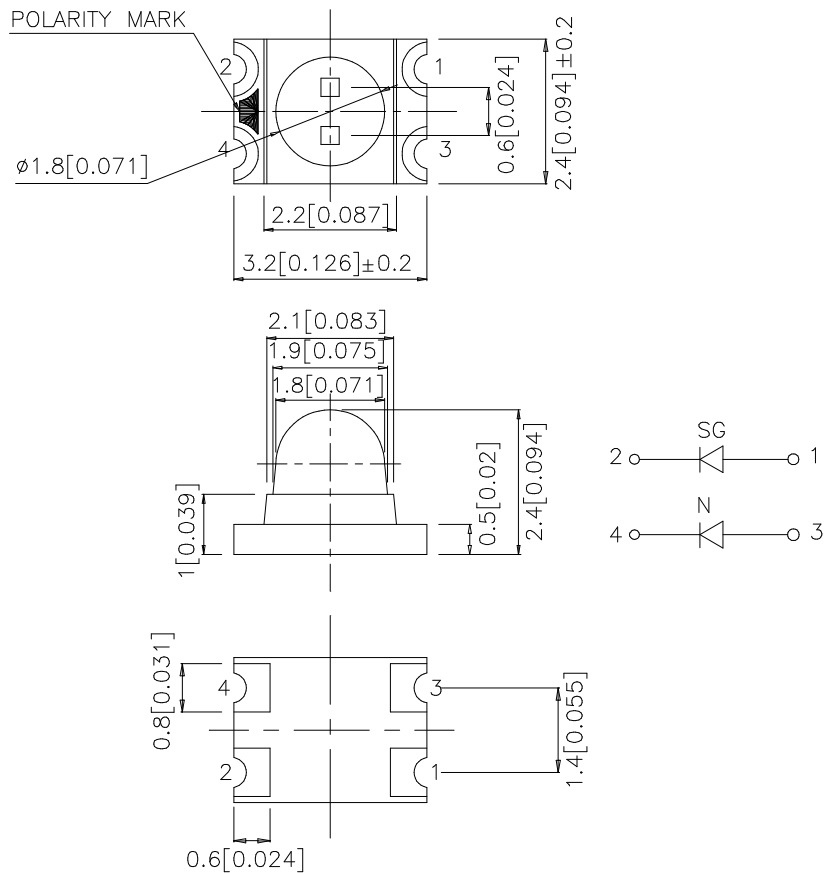
- 3.2x2.4mm SMT LED, 2.4mm THICKNESS.
- LOW POWER CONSUMPTION.
- IDEAL FOR BACKLIGHT AND INDICATOR.
- VARIOUS COLORS AND LENS TYPES AVAILABLE.
- PACKAGE : 1500PCS / REEL.

Description

The Super Bright Green source color devices are made with Gallium Phosphide Green Light Emitting Diode.

The Pure Orange source color devices are made with Gallium Arsenide Phosphide on Gallium Phosphide Pure Orange Light Emitting Diode.

Package Dimensions



Notes:

1. All dimensions are in millimeters (inches).
2. Tolerance is $\pm 0.1(0.004)$ unless otherwise noted.
3. Specifications are subject to change without notice.

Selection Guide

Part No.	Dice	Lens Type	Iv (mcd) @ 20 mA		Viewing Angle
			Min.	Typ.	θ1/2
APBD3224SGNC	SUPER BRIGHT GREEN (GaP)	WATER CLEAR	10	40	20°
	PURE ORANGE (GaAsP/GaP)		18	60	

Note:

1. θ1/2 is the angle from optical centerline where the luminous intensity is 1/2 the optical centerline value.

Absolute Maximum Ratings at T_A=25°C

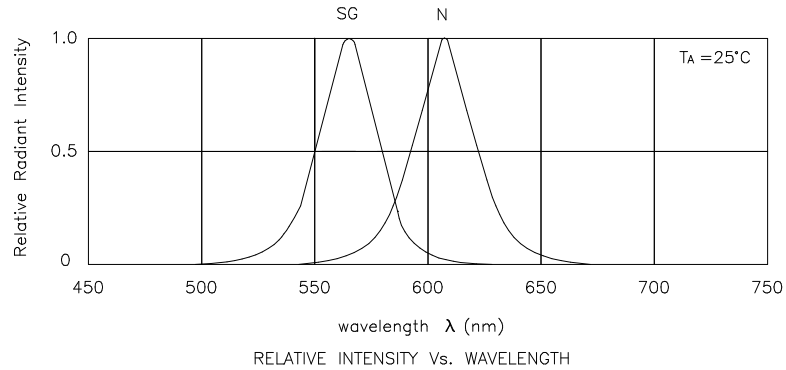
Symbol	Parameter	Device	Typ.	Max.	Units	Test Conditions
λ _{peak}	Peak Wavelength	Super Bright Green Pure Orange	565 607		nm	I _F = 20mA
λ _D	Dominate Wavelength	Super Bright Green Pure Orange	568 610		nm	I _F = 20mA
Δλ _{1/2}	Spectral Line Half-width	Super Bright Green Pure Orange	30 35		nm	I _F = 20mA
C	Capacitance	Super Bright Green Pure Orange	15 15		pF	V _F = 0V; f = 1MHz
V _F	Forward Voltage	Super Bright Green Pure Orange	2.2 2.05	2.5 2.5	V	I _F = 20mA
I _R	Reverse Current	All		10	uA	V _R = 5V

Absolute Maximum Ratings at T_A=25°C

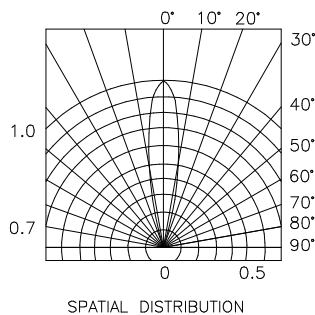
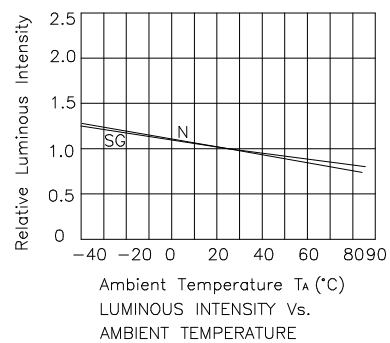
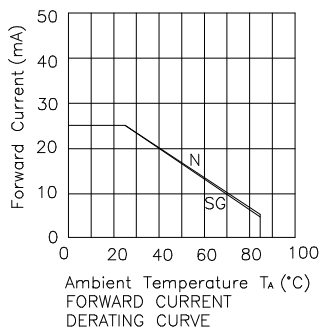
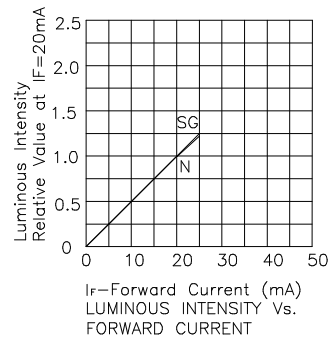
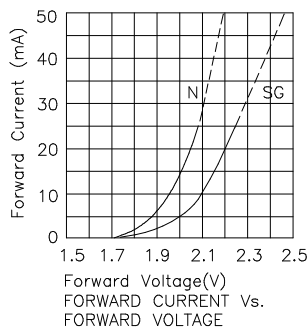
Parameter	Super Bright Green	Pure Orange	Units
Power dissipation	105	105	mW
DC Forward Current	25	25	mA
Peak Forward Current [1]	140	145	mA
Reverse Voltage	5	5	V
Operating/Storage Temperature	-40°C To +85°C		

Note:

1. 1/10 Duty Cycle, 0.1ms Pulse Width.



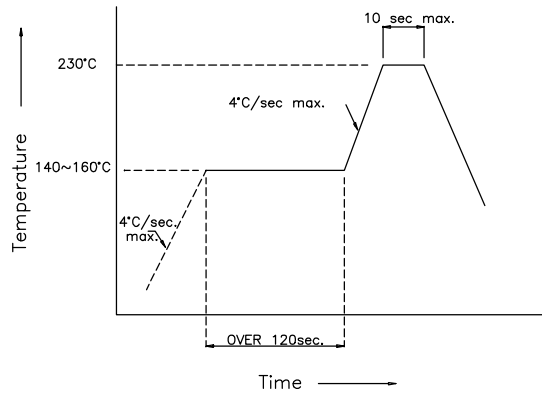
Super Bright Green / Pure Orange APBD3224SGNC



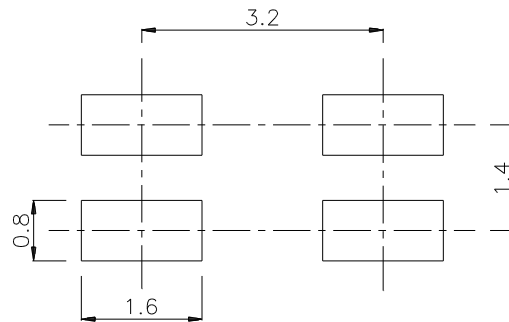
APBD3224SGNC

SMT Reflow Soldering Instructions

Number of reflow process shall be less than 2 times and cooling process to normal temperature is required between first and second soldering process.



Recommended Soldering Pattern (Units : mm)



Tape Specifications (Units : mm)

