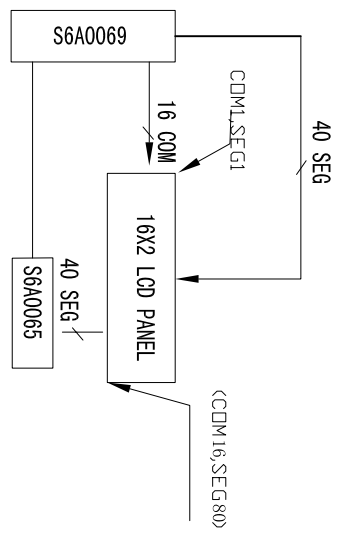
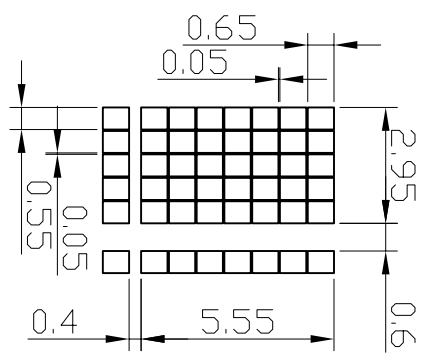
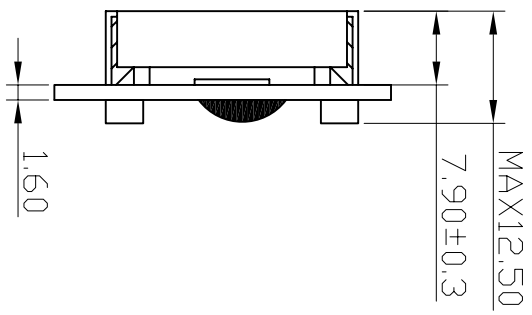
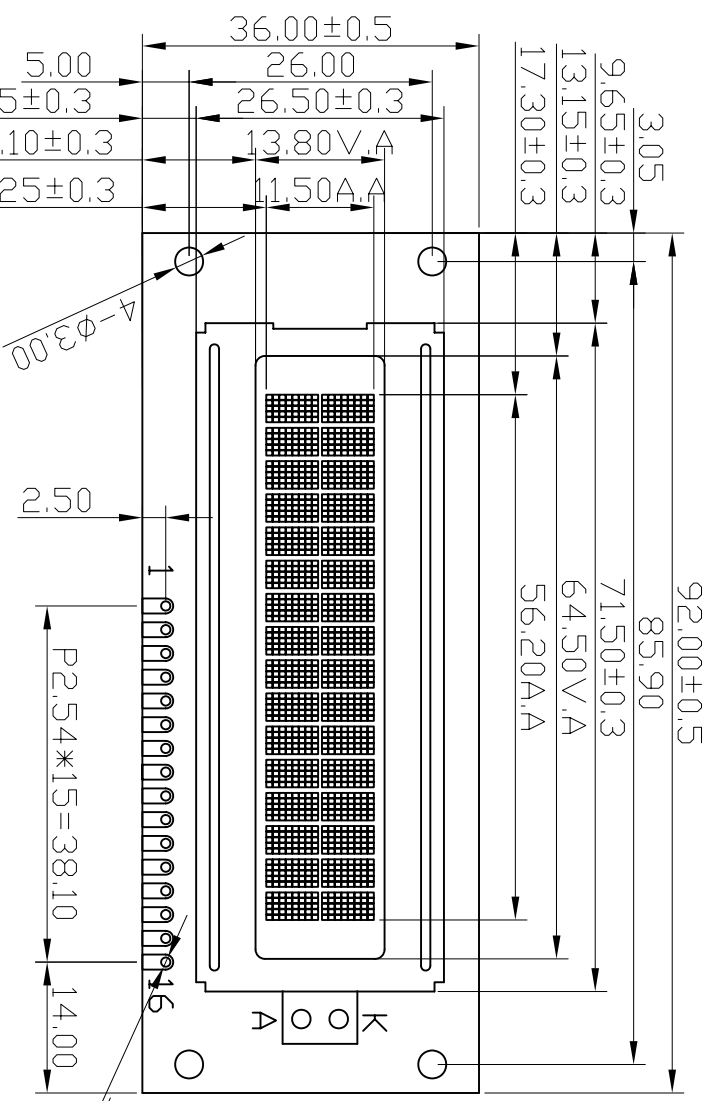


REV.	CHANGE CONTENT	BY	DATE



PIN	1	2	3	4	5	6	7	8	9	10	11	12	13	14	15	16
SYMBOL	GND	VDD	VD	RS	R/W	E	DD	D1	D2	D3	D4	D5	D6	D7	LED+	LED-

- NOTE:
1. DISPLAY TYPE: STN-Y/G-POSITIVE
 2. DISPLAY MODE: TRANSFLECTIVE
 3. DRIVE METHOD: 1/16 DUTY, 1/5 BIAS, 4.6V Vop, 5V VDD
 4. VIEWING DIR.: 12:00
 5. OP. TEMP.: 0°C~50°C
 6. ST. TEMP.: -10°C~60°C
 7. BACKLIGHT: COLOR-Y/G, 4.1±0.2V, 130mA, MIN.80 CD/m
 8. DRIVER IC:S6A0069,S6A0065

TOLERANCE	>0~6 ±0.10	>6~80 ±0.20	>80~240 ±0.30	>240~400 ±0.50	// 1.0 ±0.10
DESIGN	CHECKED	APPROVED	DESIGN	CHECKED	APPROVED
ZOUYS	ZOUYS	Q.A	05.11.28	STANDARD	TECHNOLOGY
HTDISPLAY CO., LTD.			DRAWING TITLE: LCM DRAWING		
DRAWING No. : HC160206C-YFCOL-VA			REV. : A		
SCALE : -			PROJECTION:		
UNIT : mm			SHEET : 1/1		