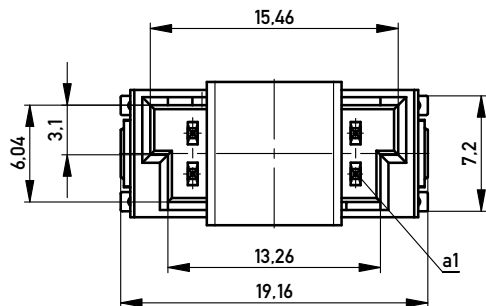
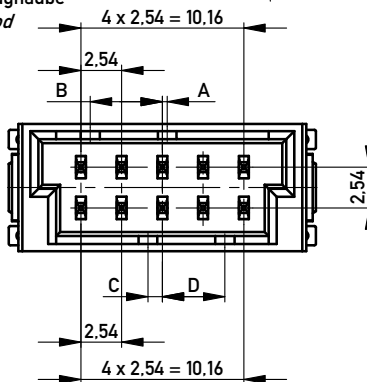
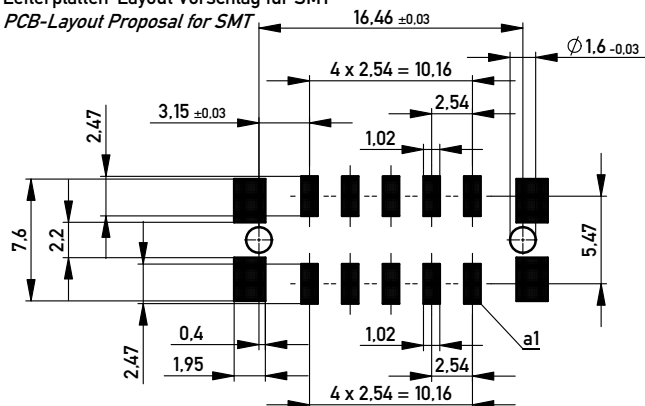


ohne Ansaughaube  
without hood



Leiterplatten-Layout Vorschlag für SMT  
PCB-Layout Proposal for SMT



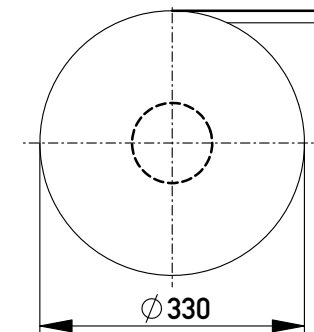
Anforderungsstufe 1  
Performance Level 1

Kontaktbereich vergoldet  
Mating Area gold plating

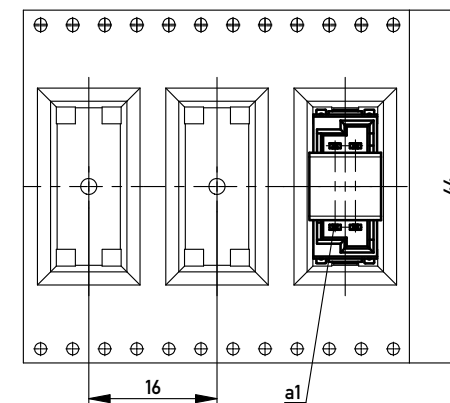
Anschlussbereich verzinkt 4-6 µm  
Terminal Area 4-6 µm tin plating

Koplanarität der Anschlüsse ≤ 0,1 mm  
Coplanarity Area of Termination ≤ 0.1 mm

Verpackt in Gurtverpackung  
Tape on Reel Packaging  
Verpackungseinheit: 320 Stück  
Packaging unit: 320 pcs



Abspulrichtung - Reel off Direction



474009		rot red	3.9	0.9	4.5	0.3	
474008		grün green	2.7	2.1	3.3	1.5	
474007		blau blue	1.5	3.3	2.1	2.7	
474006		schwarz black	0.3	4.5	0.9	3.9	
Ident-Nr. part-no.	Codierung coding	Farbe color	A	B	C	D	Bemerkung note

für höhere Spannungsfestigkeit  
for higher voltage proof

Information:	Tolerances		Scale	3:1			
All rights reserved. Only for Information. To ensure that this is the latest version of this drawing, please contact one of the ERNI companies before using.	Subject to modification without prior notice. Drawing will not be updated.	All Dimensions in mm	Designation				
			M 2.54 DRC-Q, 10-polig				
a	Index	27.11.2013	Date	www.ERNI.com	324228	I	A3

Copyright by ERNI GmbH  
Proprietary notice pursuant to ISO 9006 to be observed.