
HD29050

Dual Differential Line Drivers/Receivers With 3 State Outputs

HITACHI

ADE-205-034A (Z)
2nd. Edition
Mar. 1993

Description

The HD29050 features differential line drivers/receivers with three state output designed to meet the spec of EIA RS-422A and 423A. Each device has two drivers/receivers in a 16 pin package.

The device becomes in enable state when active high for a driver and active low for a receiver.

Features

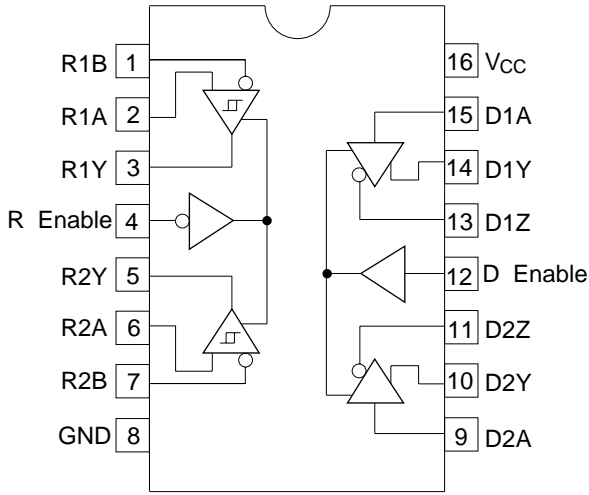
Driver

- Built in current restriction when short circuit
- Power up/down protection.
- High output current $I_{OH} = -40 \text{ mA}$
 $I_{OL} = 40 \text{ mA}$

Receiver

- Input hysteresis (Typ. 50 mV)
- In phase input voltage $\pm 200 \text{ mV}$ of input sensitivity in the range -7 to $+12 \text{ V}$.

Pin Arrangement



(Top view)

Function Table

Drivers

Receivers

Input A	Enable	Output Y	Output Z	Differential Input A – B	Enable	Output Y
L	H	L	H	$V_{ID} \geq 0.2 V$	L	H
H	H	H	L	$-0.2 V < V_{ID} < 0.2 V$	L	?
X	L	Z	Z	$V_{ID} \leq -0.2 V$	H	Z
				X	H	Z

- H : High level
- L : Low level
- Z : High impedance
- X : Immaterial
- ? : Irrelevant

Absolute Maximum Ratings

Item	Symbol	Ratings	Unit
Supply Voltage*1	V_{CC}	7	V
Input Voltage A, B*3	V_{IN}	± 25	V
Differential Input Voltage*2*3	V_{ID}	± 25	V
Output Current*3	I_O	50	mA
Enable Input Voltage	V_{IE}	5.5	V
Input Voltage*4	V_{IN}	5.5	V
Output Applied Voltage*4*5	V_O	-1.0 to 7.0	V
Operating Temperature Range	T_{opr}	0 to 70	°C
Storage Temperature Range	T_{stg}	-65 to 150	°C

- Notes: 1. All voltage values except for differential input voltage are with respect to network ground terminal.
2. Differential input voltage is measured at the noninverting input with respect to the corresponding inverting input.
3. Only receiver
4. Only driver
5. Z state
6. The absolute maximum ratings are values which must not individually be exceeded, and furthermore, no two of which may be realized at the same time.

Recommended Operating Conditions

Item	Symbol	Min	Typ	Max	Unit
Supply Voltage	V_{CC}	4.75	5.0	5.25	V
In Phase Input Voltage*1	V_{IC}	-7.0	—	12	V
Differential Input Voltage*1	V_{ID}	-6.0	—	6.0	V
Enable Input Voltage	V_{IE}	0	—	5.25	V
Input Voltage*2	V_{IN}	0	—	5.25	V
Operating Temperature	T_{opr}	0	25	70	°C

- Notes: 1. Only receiver
2. Only driver

Electrical Characteristics (Ta = 0 to +70°C)

Driver

Item	Symbol	Min	Typ	Max	Unit	Conditions
Input Voltage	V_{IHD}	2.0	—	—	V	
	V_{ILD}	—	—	0.8	V	
Input Clamp Voltage	V_{IKD}	—	—	-1.5	V	$V_{CC} = 4.75\text{ V}$, $I_I = -18\text{ mA}$
Output Voltage	V_{OHD}	2.5	—	—	V	$V_{CC} = 4.75\text{ V}$, $I_{OH} = -20\text{ mA}$
		2.4	—	—	V	$V_{CC} = 4.75\text{ V}$, $I_{OH} = -40\text{ mA}$
	V_{OLD}	—	—	0.45	V	$V_{CC} = 4.75\text{ V}$, $I_{OL} = 20\text{ mA}$
		—	—	0.5	V	$V_{CC} = 4.75\text{ V}$, $I_{OL} = 40\text{ mA}$
Output Leak Current	I_{OZD}	-100	—	100	μA	$V_{CC} = 5.25\text{ V}$, $V_O = 0.5\text{ V}$, Enable = 0.8 V
		-100	—	100	μA	$V_{CC} = 5.25\text{ V}$, $V_O = 2.7\text{ V}$, Enable = 0.8 V
	$I_{O(Off)}$	—	—	-100	μA	$V_{CC} = 0\text{ V}$, $V_O = -0.25\text{ V}$
		—	—	-100	μA	$V_{CC} = 0\text{ V}$, $V_O = 6.0\text{ V}$
Input Current	I_{ID}	—	—	100	μA	$V_{CC} = 5.25\text{ V}$, $V_I = 5.25\text{ V}$
	I_{IHD}	—	—	20	μA	$V_{CC} = 5.25\text{ V}$, $V_I = 2.7\text{ V}$
	I_{IHD}	—	—	-360	μA	$V_{CC} = 5.25\text{ V}$, $V_I = 0.4\text{ V}$
Differential Output Voltage	$\Delta V_{OC} $	—	—	0.4	V	
	$ V_{OD2} $	2.0	—	—	V	
	$\Delta V_{OD} $	—	—	0.4	V	
Short Circuit Output Current ^{†*1}	I_{OSD}	-30	—	-150	mA	$V_{CC} = 5.25\text{ V}$, $V_O = 0\text{ V}$

Electrical Characteristics (Ta = 0 to +70°C)

Receiver

Item	Symbol	Min	Typ	Max	Unit	Conditions
Differential Input Threshold Voltage*2	V _{THR}	—	—	0.2	V	V _O ≥ 2.7 V -7.0 V < V _{IC} < 12 V
		-0.2	—	—	V	V _O ≤ 0.45 V -7.0 V < V _{IC} < 12 V
Input Current	I _{IBR}	—	—	1.0	mA	V _{IN} = 12 V, 0 V ≤ V _{CC} ≤ 5.25 V
		—	—	-0.8	mA	V _{IN} = -7 V, 0 V ≤ V _{CC} ≤ 5.25 V
Output Voltage	V _{OHR}	2.7	—	—	V	V _{CC} = 4.75 V, I _O = -400 mA V _{ID} = 0.4 V, -7.0 V < V _{ICM} < 12 V
	V _{OLR}	—	—	0.45	V	V _{CC} = 4.75 V, I _O = 8.0 mA V _{ID} = -0.4 V, -7.0 V < V _{ICM} < 12 V
Output Leak Current	I _{OZR}	-100	—	100	mA	V _{CC} = 5.25 V, V _O = 0.4 V V _{ID} = 3.0 V, Enable = 2.0 V
		-100	—	100	mA	V _{CC} = 5.25 V, V _O = 2.4 V V _{ID} = -3.0 V, Enable = 2.0 V
Short Circuit Output Current*1	I _{OSR}	-15	—	-85	mA	V _{CC} = 5.25 V, V _O = 0 V V _{ID} = 3.0 V
Input Voltage	V _{IHE}	2.0	—	—	V	
	V _{ILE}	—	—	0.8	V	
Input Current	I _{ILE}	—	—	-100	μA	V _{CC} = 5.25 V, V _{IL} = 0.4 V
	I _{IHE}	—	—	20	μA	V _{CC} = 5.25 V, V _{IH} = 2.7 V
	I _{IE}	—	—	100	μA	V _{CC} = 5.25 V, V _{IH} = 5.25 V
Input Clamp Voltage	V _{IKE}	—	—	-1.5	V	V _{CC} = 4.75, I _I = -18 mA

Supply

Item	Symbol	Min	Typ	Max	Unit	Conditions
Supply Current	I _{CC}	—	55*3	80	mA	V _{CC} = 5.25 V

Notes: 1. Not more than one output should be shorted at a time, and duration of the short circuit should not exceed one second.

2. In this table, only the threshold voltage is expressed in algebra.

3. All typical values are at V_{CC} = 5 V, Ta = 25°C.

Switching Characteristics (Ta = 25°C, V_{CC} = 5 V)

Driver

Item	Symbol	Min	Typ	Max	Unit	Conditions
Propagation Delay Time	t _{PLHD}	—	—	20	ns	C _L = 30 pF, R _L = 75 Ω to GND R _L = 180 Ω to V _{CC}
	t _{PHLD}	—	—	20	ns	C _L = 30 pF, R _L = 75 Ω to GND R _L = 180 Ω to V _{CC}
Propagation Delay Time Difference	t _{SKD} ^{*1}	—	—	4	ns	C _L = 30 pF, R _L = 75 Ω to GND R _L = 180 Ω to V _{CC}
Output Enable Time	t _{ZHD}	—	—	20	ns	C _L = 30 pF, R _L = 75 Ω to GND
	t _{ZLD}	—	—	35	ns	C _L = 30 pF, R _L = 180 Ω to V _{CC}
Output Disable Time	t _{HZD}	—	—	20	ns	C _L = 10 pF, R _L = 75 Ω to GND
	t _{LZD}	—	—	25	ns	C _L = 10 pF

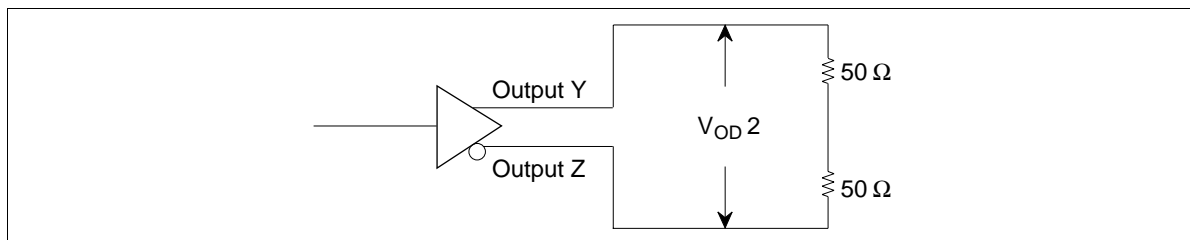
Receiver

Item	Symbol	Min	Typ	Max	Unit	Conditions
Propagation Delay Time	t _{PLHR}	—	—	40	ns	C _L = 15 pF
	t _{PHLR}	—	—	40	ns	C _L = 15 pF
Output Enable Time	t _{ZHR}	—	—	20	ns	C _L = 15 pF, R _L = 5 KΩ to GND
	t _{ZLR}	—	—	25	ns	C _L = 15 pF, R _L = 2 KΩ to V _{CC}
Output Disable Time	t _{HZR}	—	—	30	ns	C _L = 15 pF, R _L = 5 KΩ to GND R _L = 2 KΩ to V _{CC}
	t _{LZR}	—	—	30	ns	

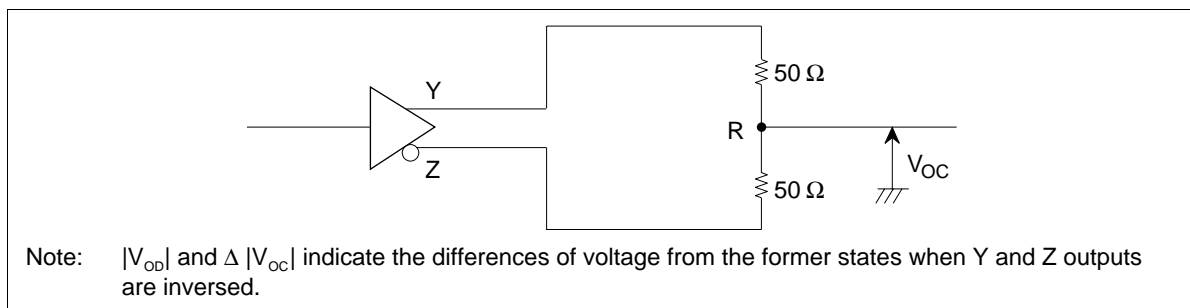
Note: 1. t_{SKD} = |t_{PLHD} - t_{PHLD}|

DC Test ($|V_{OD2}|$, $|V_{OD}|$, V_{OC} , $|V_{oc}|$)

$|V_{OD2}|$, $|V_{OD}|$ Test



V_{OC} , $|V_{oc}|$ Test

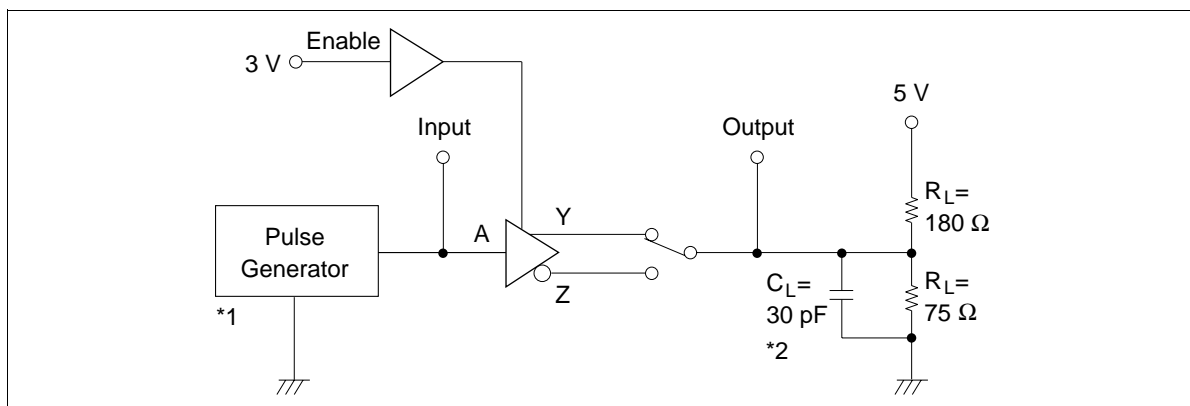


$$\Delta |V_{OD}| = ||V_{OD2}| - |V_{OD2}||$$

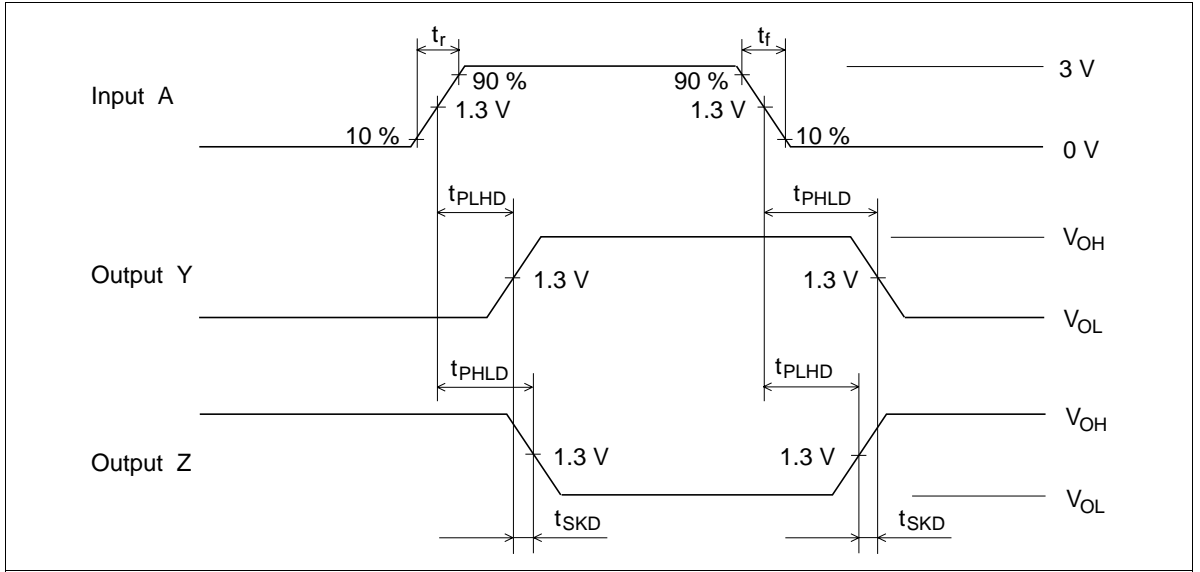
$$\Delta |V_{oc}| = |V_{oc} - V_{oc}|$$

1. t_{PLHD} , t_{PHLD}

Test circuit

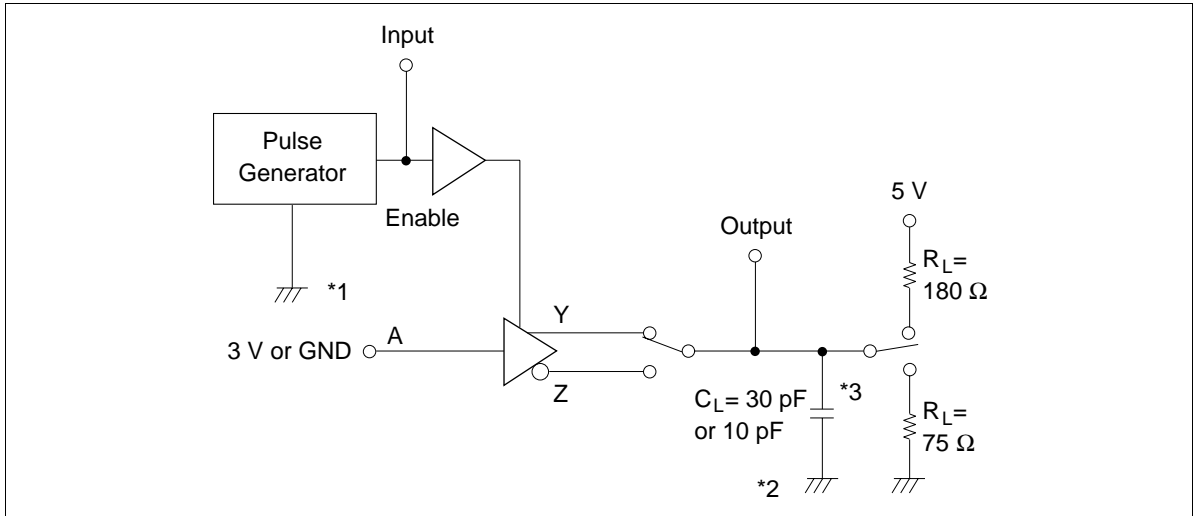


Waveforms

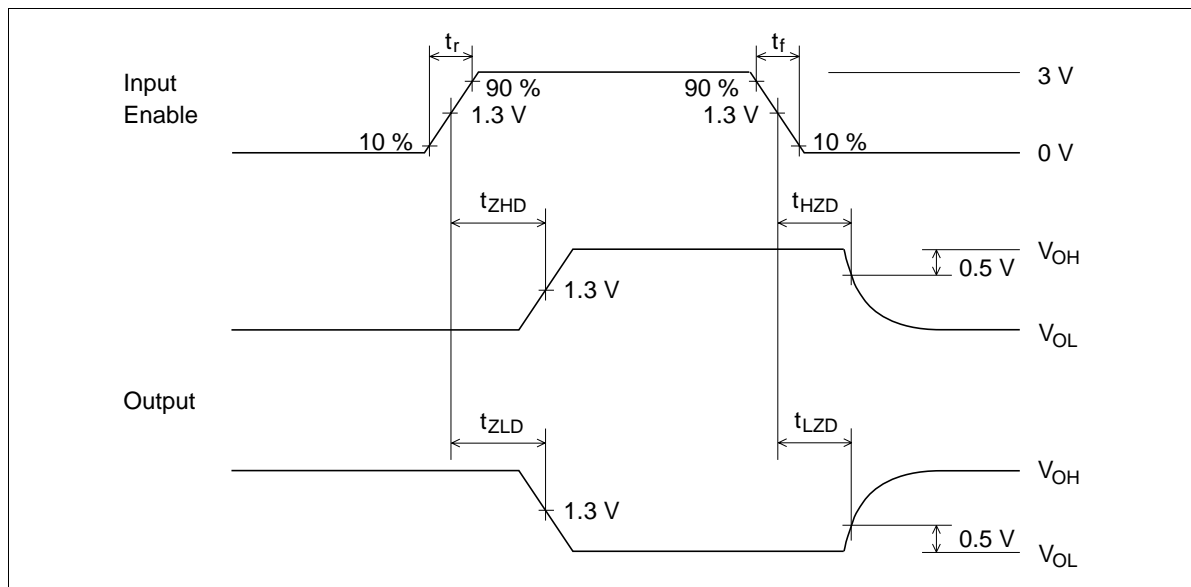


2. t_{ZHD} , t_{ZLD} , t_{HZD} , t_{LZD}

Test circuit

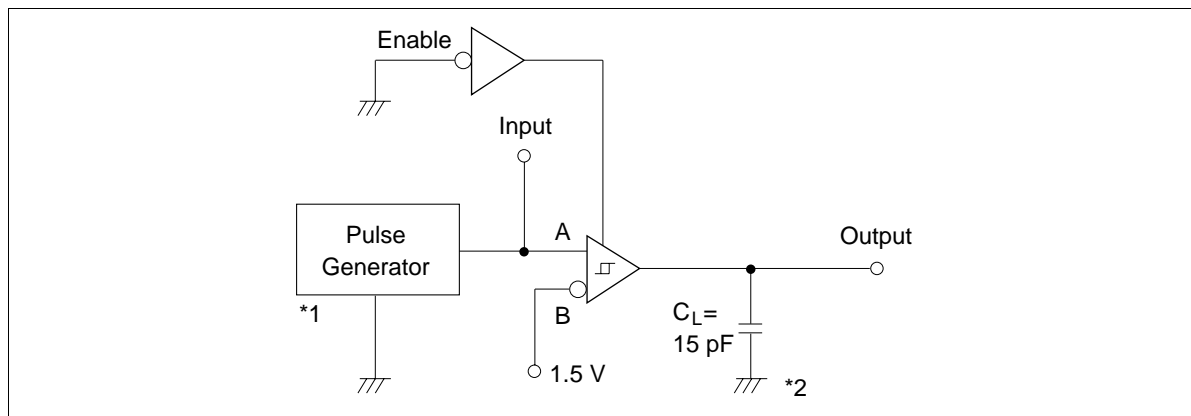


Waveforms

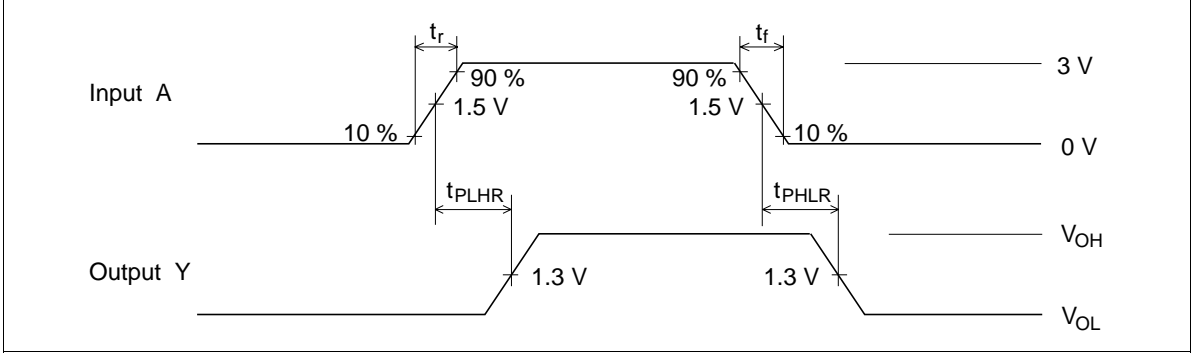


3. t_{PLHR} , t_{PHLR}

Test circuit

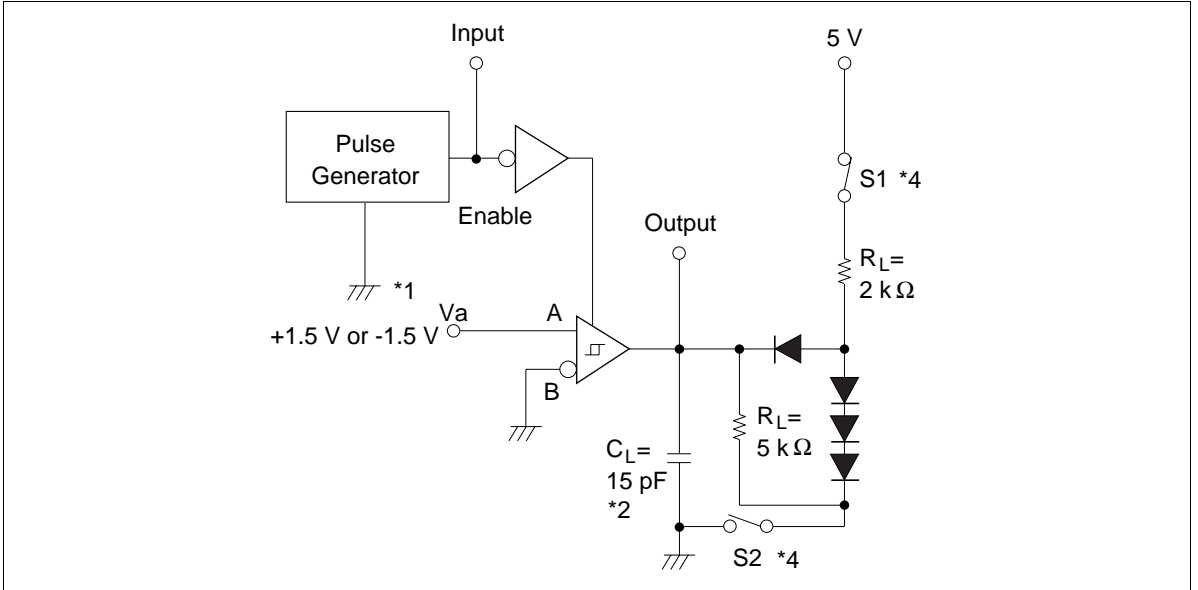


Waveforms

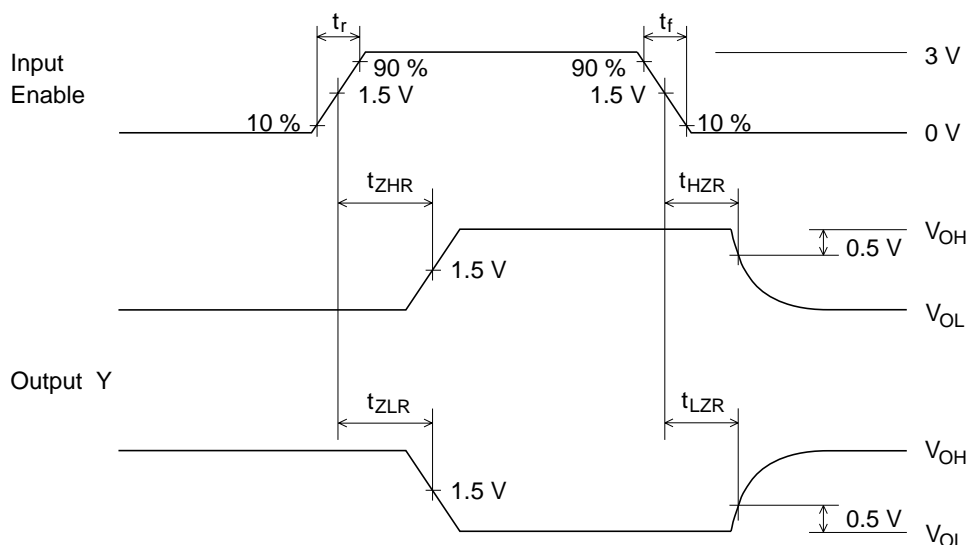


4. t_{ZHR} , t_{ZLR} , t_{HZR} , t_{LZR}

Test circuit



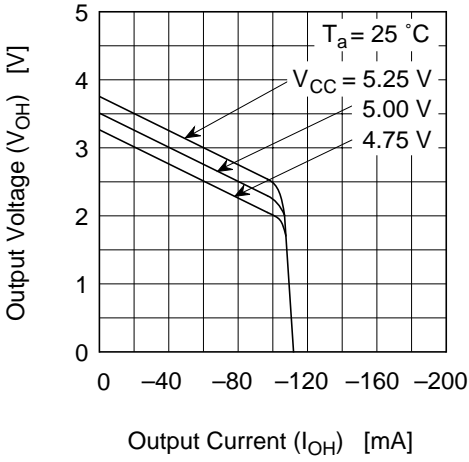
Waveforms



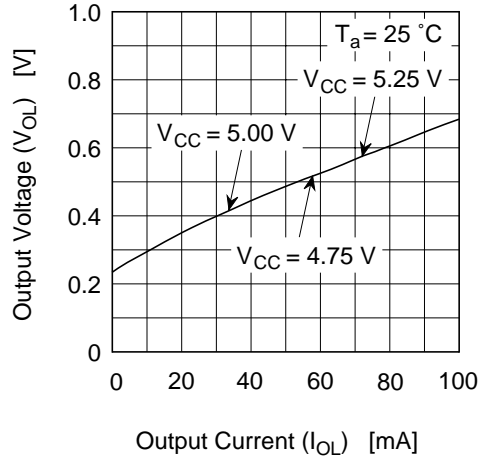
- Notes:
1. The pulse generator has the following characteristics:
 PRR = 1 MHz, 50% duty cycle, $t_r = t_f = 6.0$ ns.
 2. C_i includes probe and jig capacitance.
 3. $75\ \Omega$ connected between the pin and GND at t_{ZHD} t_{HZD} test.
 $180\ \Omega$ connected between the pin and GND at t_{ZHD} t_{HZD} test.
 4. At t_{HZR} , t_{LZR} test, S_1 and S_2 are closed.
 At t_{ZHR} test, S_1 is open and S_2 is closed.
 At t_{ZLR} test, S_1 is closed and S_2 is open.

Main Characteristics

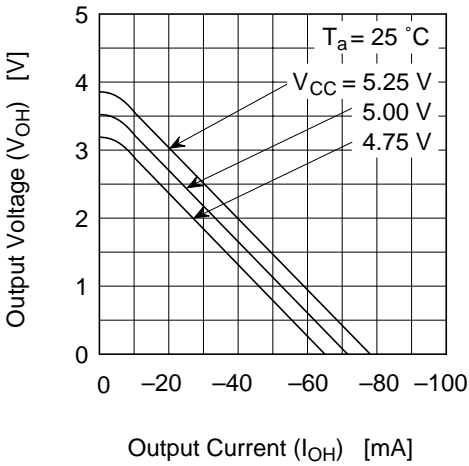
Output Characteristics (High level)
[Driver]



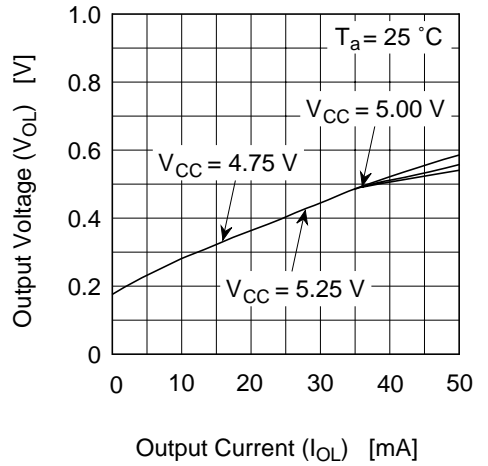
Output Characteristics (Low level)
[Driver]



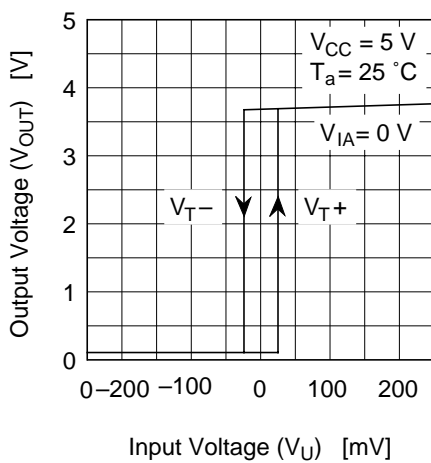
Output Characteristics (High level)
[Receiver]



Output Characteristics (Low level)
[Driver]

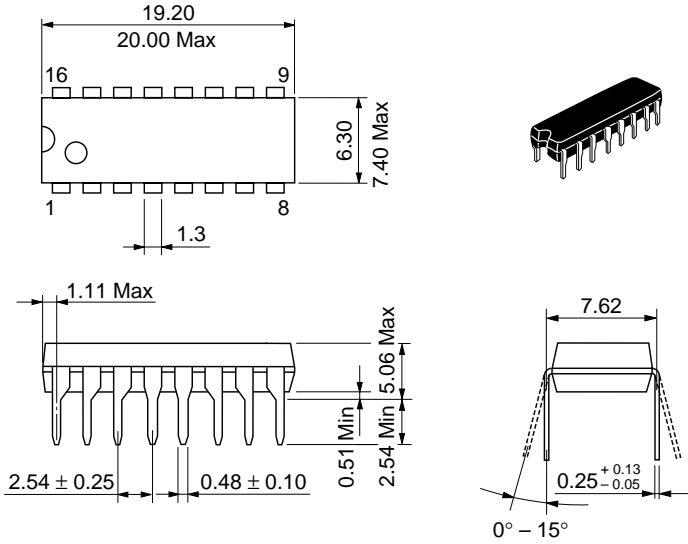


Input / Output Characteristics
[Receiver]



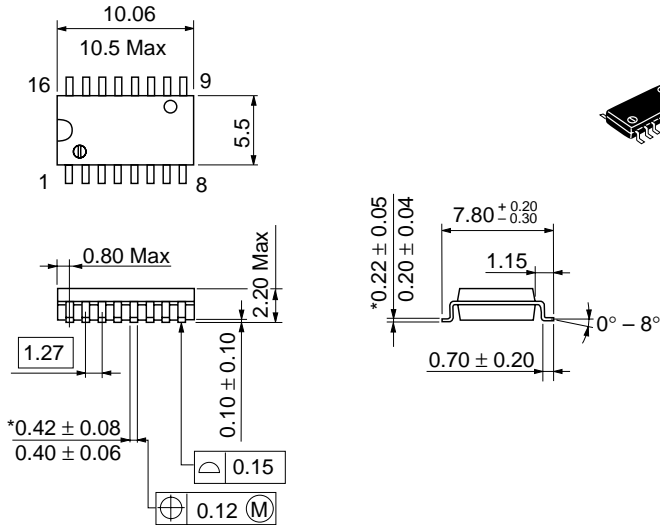
Package Dimensions

Unit: mm



Hitachi Code	DP-16
JEDEC	Conforms
EIAJ	Conforms
Mass (reference value)	1.07 g

Unit: mm



Hitachi Code	FP-16DA
JEDEC	—
EIAJ	Conforms
Mass (reference value)	0.24 g

*Dimension including the plating thickness
Base material dimension

Cautions

1. Hitachi neither warrants nor grants licenses of any rights of Hitachi's or any third party's patent, copyright, trademark, or other intellectual property rights for information contained in this document. Hitachi bears no responsibility for problems that may arise with third party's rights, including intellectual property rights, in connection with use of the information contained in this document.
2. Products and product specifications may be subject to change without notice. Confirm that you have received the latest product standards or specifications before final design, purchase or use.
3. Hitachi makes every attempt to ensure that its products are of high quality and reliability. However, contact Hitachi's sales office before using the product in an application that demands especially high quality and reliability or where its failure or malfunction may directly threaten human life or cause risk of bodily injury, such as aerospace, aeronautics, nuclear power, combustion control, transportation, traffic, safety equipment or medical equipment for life support.
4. Design your application so that the product is used within the ranges guaranteed by Hitachi particularly for maximum rating, operating supply voltage range, heat radiation characteristics, installation conditions and other characteristics. Hitachi bears no responsibility for failure or damage when used beyond the guaranteed ranges. Even within the guaranteed ranges, consider normally foreseeable failure rates or failure modes in semiconductor devices and employ systemic measures such as fail-safes, so that the equipment incorporating Hitachi product does not cause bodily injury, fire or other consequential damage due to operation of the Hitachi product.
5. This product is not designed to be radiation resistant.
6. No one is permitted to reproduce or duplicate, in any form, the whole or part of this document without written approval from Hitachi.
7. Contact Hitachi's sales office for any questions regarding this document or Hitachi semiconductor products.

HITACHI

Hitachi, Ltd.

Semiconductor & Integrated Circuits.
Nippon Bldg., 2-6-2, Ohte-machi, Chiyoda-ku, Tokyo 100-0004, Japan
Tel: Tokyo (03) 3270-2111 Fax: (03) 3270-5109

URL	NorthAmerica	: http://semiconductor.hitachi.com/
	Europe	: http://www.hitachi-eu.com/hel/ecg
	Asia	: http://sicapac.hitachi-asia.com
	Japan	: http://www.hitachi.co.jp/Sicd/indx.htm

For further information write to:

Hitachi Semiconductor
(America) Inc.
179 East Tasman Drive,
San Jose, CA 95134
Tel: <1> (408) 433-1990
Fax: <1>(408) 433-0223

Hitachi Europe GmbH
Electronic Components Group
Dornacher StraÙe 3
D-85622 Feldkirchen, Munich
Germany
Tel: <49> (89) 9 9180-0
Fax: <49> (89) 9 29 30 00

Hitachi Europe Ltd.
Electronic Components Group.
Whitebrook Park
Lower Cookham Road
Maidenhead
Berkshire SL6 8YA, United Kingdom
Tel: <44> (1628) 585000
Fax: <44> (1628) 585160

Hitachi Asia Ltd.
Hitachi Tower
16 Collyer Quay #20-00,
Singapore 049318
Tel: <65>-538-6533/538-8577
Fax: <65>-538-6933/538-3877
URL: <http://www.hitachi.com.sg>

Hitachi Asia Ltd.
(Taipei Branch Office)
4/F, No. 167, Tun Hwa North Road,
Hung-Kuo Building,
Taipei (105), Taiwan
Tel: <886>-(2)-2718-3666
Fax: <886>-(2)-2718-8180
Telex: 23222 HAS-TP
URL: <http://www.hitachi.com.tw>

Hitachi Asia (Hong Kong) Ltd.
Group III (Electronic Components)
7/F., North Tower,
World Finance Centre,
Harbour City, Canton Road
Tsim Sha Tsui, Kowloon,
Hong Kong
Tel: <852>-(2)-735-9218
Fax: <852>-(2)-730-0281
URL: <http://www.hitachi.com.hk>

Copyright © Hitachi, Ltd., 2000. All rights reserved. Printed in Japan.
Colophon 2.0

HITACHI