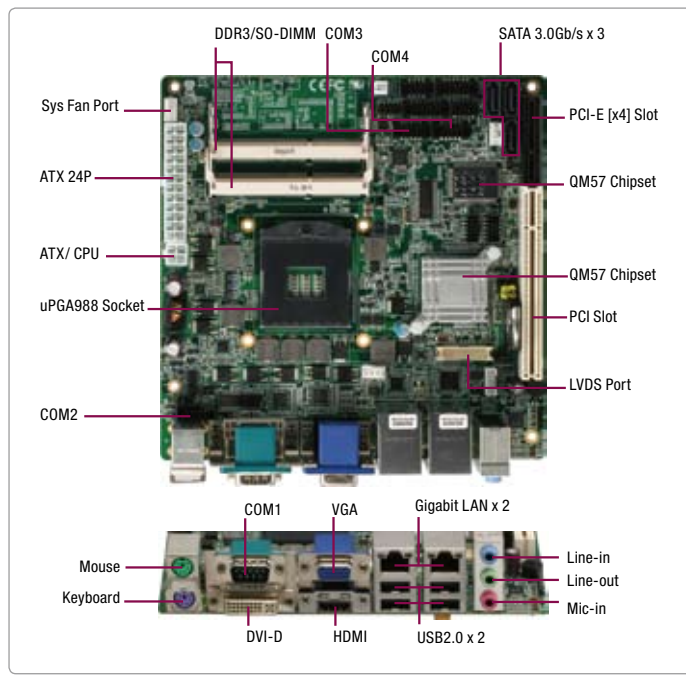


IMBI-QM57

Industrial Motherboard with Intel® Core™ i7/i5 Mobile Processor

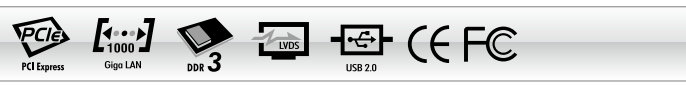
10

Embedded & Industrial Motherboards



Features

- Intel® Core™ i7/i5 rPGA988 (32/45nm) Processor Integrated Graphics & Memory Controller
- Intel® QM57
- Dual-Channel DDR3 800/1066 Memory (Up To 8 GB)
- Intel® Gigabit Ethernet x 2, Support Intel® iAMT 6.0
- Dual View With VGA, DVI, HDMI, LVDS
- SATA 3.0Gb/s x 3, RAID 0, 1, 5, 10
- USB2.0 x 8, COM x 4
- PCI-Express [x4] x 1, Mini PCIe x 1, PCI x 1



Specifications

| System | |
|-----------------------|---|
| Form Factor | Mini-ITX |
| Processor | Intel® Core™ i7/i5 rPGA988 (32/45nm) CPUs, TDP: 35W max. |
| System Memory | Dual-Channel DDR3 800/1066 SODIMM x 2, up to 8 GB |
| Chipset | Intel® QM57 |
| Ethernet | Intel® 10/100/1000Base-TX, RJ-45 x 2 LAN1: Intel® 82577LM (Supports Intel® iAMT 6.0) LAN2: Intel® 82574L/82583V |
| Audio | HD Audio Codec with Realtek ALC888 |
| BIOS | AMI BIOS 64 Mb SPI ROM |
| I/O Chipset | ITE IT8718F I/O controller |
| Storage | SATA 3.0Gb/s connector x 3, RAID 0, 1, 5, 10 |
| SSD | CompactFlash™ Type 2 socket x 1 |
| DIO | Programmable 8-bit (4 input/4 output) |
| Watchdog Timer | 1 ~ 255 steps, can be set with software on Super I/O |
| H/W Status Monitoring | Monitoring system temperature, voltage, and cooling fan status |
| Expansion Interface | PCI-Express [x4] x 1, Mini PCIe x 1, PCI x 1 |
| Power Requirement | ATX Standard 24-pin connector x 1 |
| Power Consumption | — |
| Board Size (L x W) | 6.7" x 6.7" (170mm x 170mm) |
| Gross Weight | 0.66 lb (0.3 Kg) |
| Operating Temperature | 32°F ~ 140°F (0°C ~ 60°C) |
| Storage Temperature | -4°F ~ 158°F (-20°C ~ 70°C) |
| Storage Humidity | 10~80%, non-condensing |
| MTBF (Hours) | 56,000 |
| Display | |
| Chipset | Intel® Core™ i7/i5 + QM57 |
| Graphic Engine | Intel® Gen 6.0 integrated Graphics Engine |
| Resolution | 2048 x 1536 for CRT 1920 x 1080 for DVI |
| LCD Interface | Dual-channel 24-bit LVDS |
| Video Interface | VGA x 1, DVI-D x 1, HDMI x 1 |
| I/O | |
| Serial Port | RS-232 Port x 1 supports 5/12V on the 9th pin RS-232/422/485 box header x 1 supports 5/12V on the 9th pin RS-232 box header x 2 |
| KB & Mouse | Keyboard x 1 & Mouse x 1 |
| USB | USB2.0 x 8 (four in the I/O side, four with header) |
| Audio | Audio Jack x 3 with BTX Type (Mic in, Line in, Line out) |
| Ethernet | RJ-45 x 2 |
| Display | VGA x 1, DVI-D x 1 |

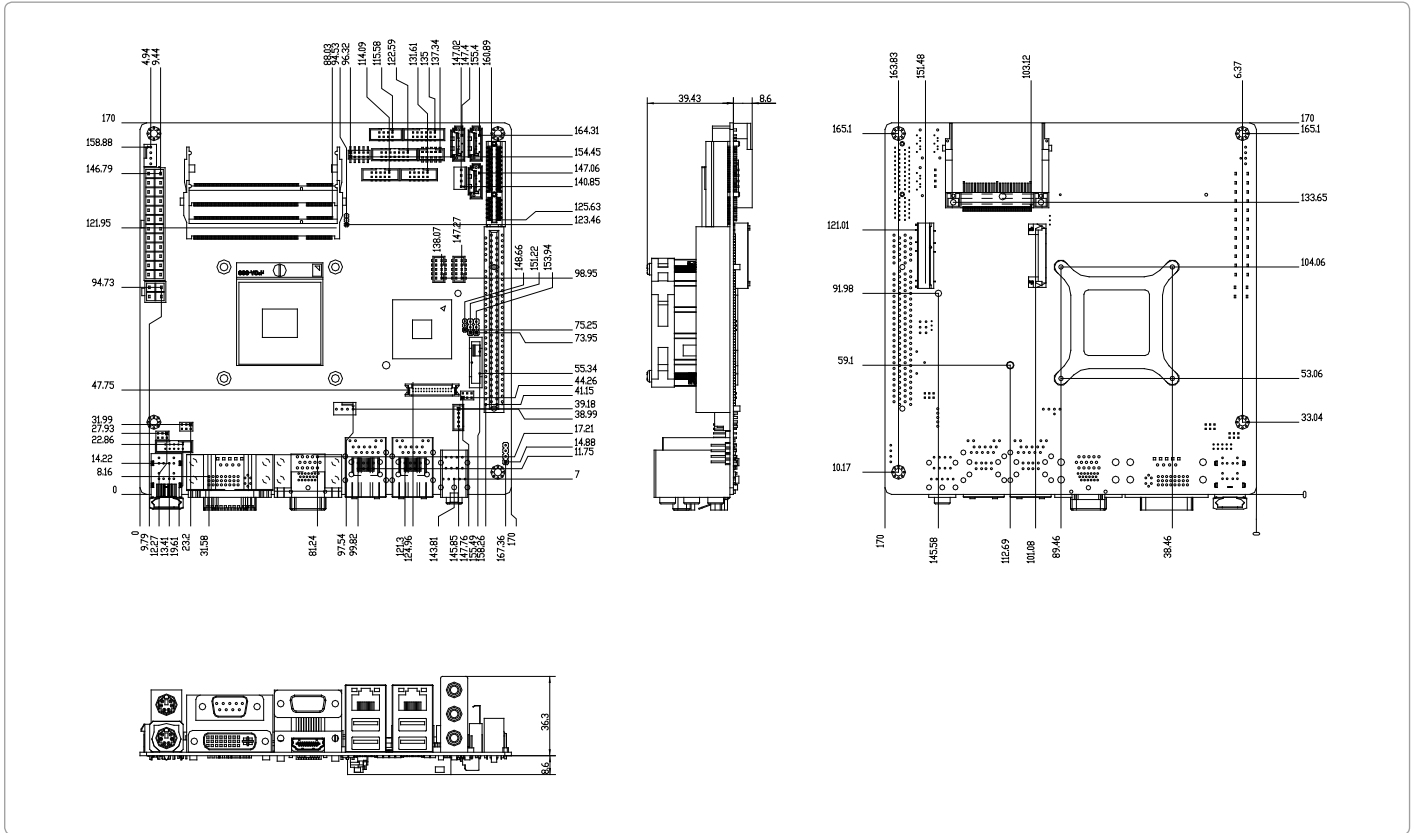
Packing List

- 1709070800
SATA Signal Cable
- 1701100305
COM Port Cable with DB-9
- 1709100201
USB Cable
- M20QM57000
I/O Shield
- Product CD
- IMBI-QM57

IMBI-QM57

Dimension

Unit: mm



Ordering Information

| Part Number | CPU | RAM | Fan/Fanless | Display | Storage | LVDS | LAN | USB | RS-232 | RS-232/422/485 | Expansion Slot | Power | Temp. |
|------------------|--------|--------|-------------|-------------------------|----------------------|---------------------|---------|-----|--------|----------------|---|-------|------------|
| TF-IMBI-QM57-A20 | Socket | SODIMM | Fan | VGA/DVI-D/ LVDS/HDMI | SATA2 x 3, CF x 1 | 24-bit Dual-channel | GbE x 2 | 8 | 3 | 1 | Mini PCIe x 1 PCI-E[x4] x 1 PCI x 1 | ATX | 0°C ~ 60°C |

Optional Accessories

- **1759200170**
CPU Cooler for rPGA988 CPU, TDP 35W
- **TF-PER-1110-A10**
Riser Card for PCI, 2-slot
- **TF-PER-R16P-A10**
Riser Card, PCI + PCI-E[x4]