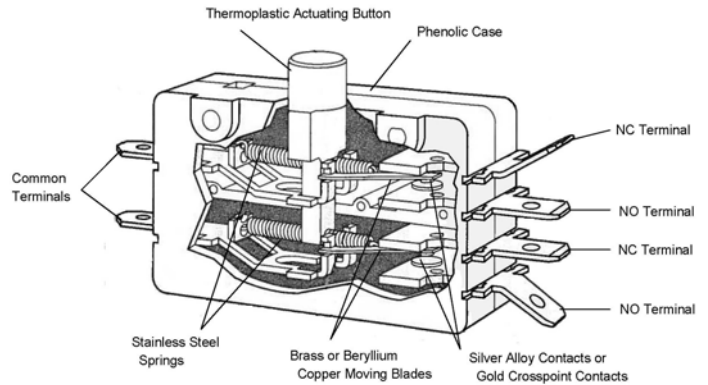


# GENERAL PURPOSE – DOUBLE POLE E Series



## Features

- Choice of 5 contact ratings
- Long life coil spring, snap action mechanism
- High Temperature 150°C & 200°C versions available
- RoHS Compliant

## Electrical Ratings and Operating Life

According to UL1054		
Switch Series	Nominal Load	Operation cycles (Min operations)
G20	0.1A 125VAC	6000*
E19	15A, 125/250VAC; 3/4HP 125VAC	6000*
E19A (Mixed ratings)	15A 125/250VAC 3/4HP, 125VAC, 1 1/2HP 250VAC, 0.1A 125VAC	6000
E20	20A, 125/250VAC, 1HP 125VAC, 2HP 250VAC	6000
E25	25A 125/250VAC; 1HP 125VAC	6000
E28	30.1A 125/250/277 VAC UL Approved Only – Resistive Load Only	6000

\* Extended life 105°C UL versions available. Contact factory for more information. Special part number required.

Technical Specifications		Material Specifications	
<b>Temperature Ratings:</b>	-40°C to 105°C (G20, E19, E19A, E20, E25) -40°C to 85°C (E28) 150°C & 200°C optional (E19, E20)	<b>Case:</b>	General Purpose Phenolic
		<b>Actuator button:</b>	Thermoplastic Nylon
<b>Flammability Rating:</b>	UL94HB	<b>Common Terminal:</b>	Brass: E19, E19A, G20 Silver Plated Brass: E20 Silver Plated Copper: E28
		<b>NO and NC Terminals:</b>	Brass: E19, E19A, G20 Copper: E20, E25, E28
<b>Terminals:</b>	0.250" x 0.032" (6.35mm x 0.81mm)	<b>Moving Blade:</b>	Brass: E19, E19A, G20 Silver Plated Beryllium Copper: E20, E25, E28
		<b>Spring:</b>	Stainless Steel
<b>CSA File Number:</b>	16503	<b>Auxiliary Actuator Roller:</b>	Cold-Rolled Stainless Steel (Nickel Plated) Sintered Stainless Steel
<b>UL File Number:</b>	E23301	<b>Contacts:</b>	Silver-CdO: E19, E19A, E20, E25, E28 Gold Crosspoint: G20, E19A

Specifications subject to change



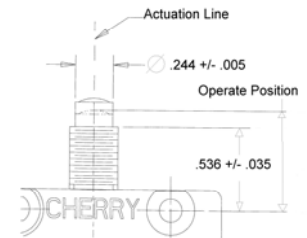
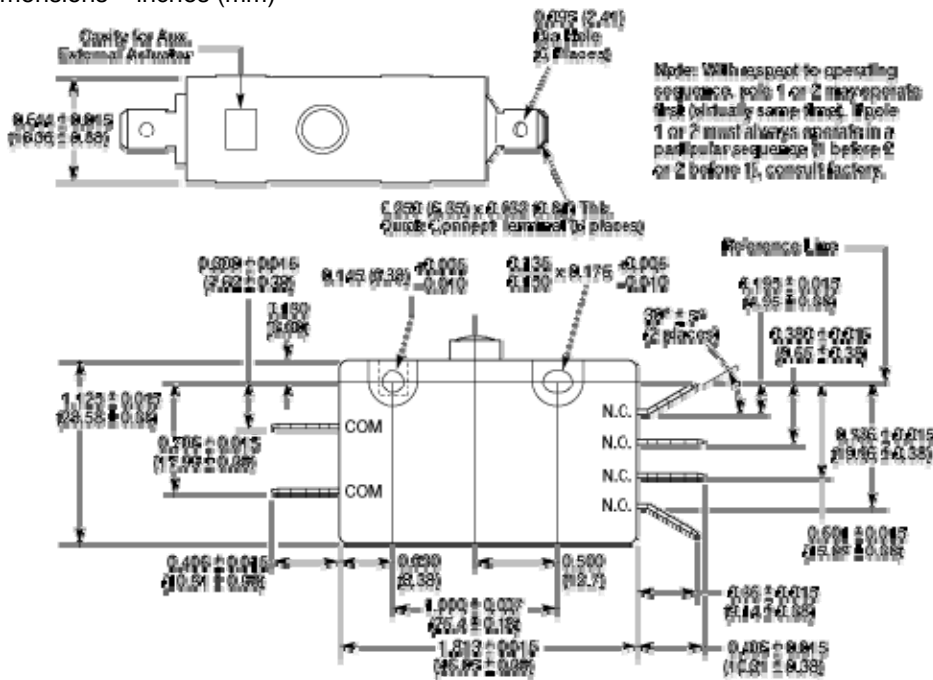
E25 only  
T200 E19 and E20



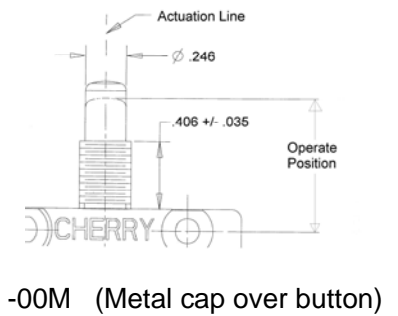
# GENERAL PURPOSE – DOUBLE POLE

# E Series

Dimensions – inches (mm)



-00J (White plastic button)



-00M (Metal cap over button)

## Commonly Stocked Distributor Items / Preferred Part Numbers

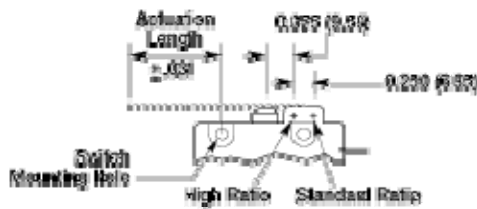
Item Number	EN Rating	UL Rating	Maximum Pretravel inches (mm)	Operating Point inches (mm)	Minimum Overtravel inches (mm)	Each Pole Max. Movement Differential inches (mm)	Maximum Operating Force (grams)	Actuation Length inches (mm)
0E1900A0	N/A	15A, 125/250VAC; 3/4HP 125VAC 1 1/2HP 250VAC	0.050 (1.27)	0.285 +/- 0.030 (7.24 +/- 0.75)	0.080 (2.03)	0.015 (0.38)	850	N/A
0E1900H0	N/A	15A, 125/250VAC; 3/4HP 125VAC 1 1/2HP 250VAC	0.275 (6.99)	0.312 +/- 0.062 (7.92 +/- 1.57)	0.100 (2.54)	0.093 (2.36)	205	1.50 (38.10)
0E1900J0	N/A	15A, 125/250VAC; 3/4HP 125VAC 1 1/2HP 250VAC	0.050 (1.27)	0.670 +/- 0.030 (17.02 +/- 0.76)	0.080 (2.03)	0.015 (0.38)	850	N/A
0E1900K0	N/A	15A, 125/250VAC; 3/4HP 125VAC 1 1/2HP 250VAC	0.250 (6.36)	0.718 +/- 0.062 (18.24 +/- 1.57)	0.187 (4.75)	0.093 (2.36)	212	1.750 (44.45)
0E1900M0	N/A	15A, 125/250VAC; 3/4HP 125VAC 1 1/2HP 250VAC	0.050 (1.27)	0.812 +/- 0.030 (20.62 +/- 0.76)	0.218 (5.54)	0.015 (.38)	850	N/A
0E1950H0	N/A	15A, 125/250VAC; 3/4HP 125VAC 1 1/2HP 250VAC	0.400 (10.16)	0.281 +/- 0.062 (7.14 +/- 1.57)	0.187 (4.75)	0.140 (3.56)	130	1.750 (44.45)
0E1950K0	N/A	15A, 125/250VAC; 3/4HP 125VAC 1 1/2HP 250VAC	0.312 (7.92)	0.687 +/- 0.062 (17.45 +/- 1.57)	0.187 (4.75)	0.140 (3.56)	150	1.625 (41.28)
0E2000A0	N/A	20A, 125/250VAC; 1HP 125VAC, 2HP 250VAC	0.100 (2.54)	0.248 +/- 0.030 (6.30 +/- 0.76)	0.050 (1.27)	0.015 (0.38)	1280	N/A
0E2000H0	N/A	20A, 125/250VAC; 1HP 125VAC, 2HP 250VAC	0.330 (8.38)	0.468 +/- 0.062 (11.89 +/- 1.57)	0.156 (3.96)	0.050 (1.27)	425	0.821 (20.85)
0E2000K0	N/A	20A, 125/250VAC; 1HP 125VAC, 2HP 250VAC	0.348 (8.84)	0.860 +/- 0.062 (21.84 +/- 1.57)	0.156 (3.96)	0.045 (1.14)	425	0.688 (17.48)
0E2000M0	N/A	20A, 125/250VAC; 1HP 125VAC, 2HP 250VAC	0.100 (2.54)	0.774 +/- 0.030 (19.66 +/- 0.76)	0.188 (4.78)	0.015 (0.38)	1280	N/A
0E2050H0	N/A	20A, 125/250VAC; 1HP 125VAC, 2HP 250VAC	0.600 (15.24)	0.427 +/- 0.062 (11.10 +/- 1.57)	0.156 (3.96)	0.080 (2.03)	285	1.071 (27.20)
0E2050K0	N/A	20A, 125/250VAC; 1HP 125VAC, 2HP 250VAC	0.625 (13.34)	0.828 +/- 0.062 (21.03 +/- 1.57)	0.146 (3.71)	0.075 (1.91)	312	0.951 (24.16)



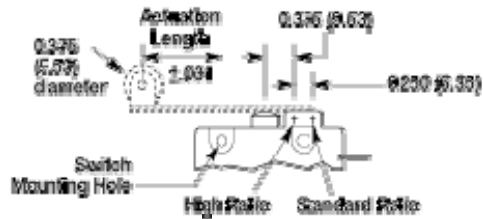
## GENERAL PURPOSE – DOUBLE POLE

# E Series

### Actuator Details



Flat Actuator Version (-00H and -50H)



Roller Actuator Version (-00K and -50K)

### “J” and “M” Type Optional Hardware

Brass Hex Nut	0012-0023
Brass Hex Nut (Nickel Plated)	0012-0028

### Mounting

Recommended mounting screw: #6-32 round head.  
 Recommended torque on screw: 6 inch-lbs. max.  
 Recommended torque on ferrule: 20 inch lbs. max.

### Ordering Information

Select the desired contact rating	Combine with the button/actuator style	Full part number
<b>E19</b>	<b>50H</b>	<b>E19-50H</b>

### For single throw versions:

Select the desired contact rating	Combine with the button style	DPST – NO	DPST - NC
<b>E19</b>	<b>50H</b>	<b>E19-51H</b> (Add 1 to suffix)	<b>0E19-52H</b> (Add 2 to suffix)

### Contact

Call, fax or visit our Website for more information.

**ZF Electronic Systems  
 Pleasant Prairie, LLC**  
 11200 88th Avenue  
 Pleasant Prairie, WI 53158

Phone: 262.942.6500  
 Web: [www.cherrycorp.com](http://www.cherrycorp.com)  
 Email: [cep\\_sales@zf.com](mailto:cep_sales@zf.com)  
 Fax: 262.942.6566

The manufacturer accepts no liability for errors or non-availability, and reserves the right to change specifications without prior notice.

Technical data relates to product specifications only. Features may differ from those described. Only drawings combined with product specifications shall be deemed binding.

© 2007 ZF Electronics Corporation

Last Updated: 03/22/13

