

## 3-to-8-Line Decoders/Demultiplexers

### Features

- **CD74AC138, CD74ACT138** ..... Inverting
- **CD74AC238, CD74ACT238** ..... Non-Inverting
- **Buffered Inputs**
- **Typical Propagation Delay**
  - 5ns at  $V_{CC} = 5V$ ,  $T_A = 25^{\circ}C$ ,  $C_L = 50pF$
- **Exceeds 2kV ESD Protection MIL-STD-883, Method 3015**
- **SCR-Latchup-Resistant CMOS Process and Circuit Design**
- **Speed of Bipolar FAST™/AS/S with Significantly Reduced Power Consumption**
- **Balanced Propagation Delays**
- **AC Types Feature 1.5V to 5.5V Operation and Balanced Noise Immunity at 30% of the Supply**
- **±24mA Output Drive Current**
  - Fanout to 15 FAST™ ICs
  - Drives 50Ω Transmission Lines

### Description

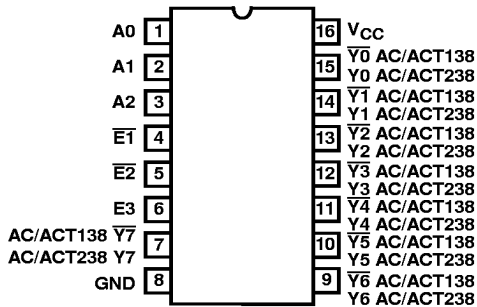
The CD74AC138, CD74ACT138, CD74AC238, and CD74ACT238 are 3-to-8-line decoders/demultiplexers that utilize the Harris Advanced CMOS Logic technology. Both circuits have three binary select inputs (A0, A1, and A2). If the device is enabled, these inputs determine which one of the eight normally HIGH outputs of the AC/ACT138 will go LOW or which one of the normally LOW outputs of the AC/ACT238 will go HIGH. Two active LOW and one active HIGH enables ( $\overline{E1}$ ,  $\overline{E2}$  and E3) are provided to simplify the cascading of these devices.

### Ordering Information

PART NUMBER	TEMP. RANGE (°C)	PACKAGE	PKG. NO.
CD74AC138E	0 to 70°C, -40 to 85, -55 to 125	16 Ld PDIP	E16.3
CD74ACT138E	0 to 70°C, -40 to 85, -55 to 125	16 Ld PDIP	E16.3
CD74AC238E	0 to 70°C, -40 to 85, -55 to 125	16 Ld PDIP	E16.3
CD74ACT238E	0 to 70°C, -40 to 85, -55 to 125	16 Ld PDIP	E16.3
CD74AC138M	0 to 70°C, -40 to 85, -55 to 125	16 Ld SOIC	M16.15
CD74ACT138M	0 to 70°C, -40 to 85, -55 to 125	16 Ld SOIC	M16.15
CD74AC238M	0 to 70°C, -40 to 85, -55 to 125	16 Ld SOIC	M16.15
CD74ACT238M	0 to 70°C, -40 to 85, -55 to 125	16 Ld SOIC	M16.15

### Pinout

CD74AC138, CD74ACT138, CD74AC238, CD74ACT238  
(PDIP, SOIC)  
TOP VIEW

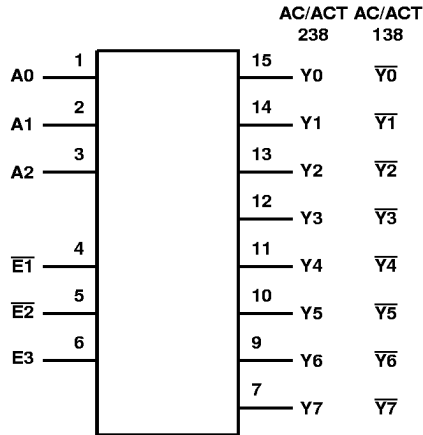


### NOTES:

17. When ordering, use the entire part number. Add the suffix 96 to obtain the variant in the tape and reel.
18. Wafer and die for this part number is available which meets all electrical specifications. Please contact your local sales office or Harris customer service for ordering information.

**CD74AC138, CD74ACT138, CD74AC238, CD74ACT238**

**Functional Diagram**



**CD74AC/ACT138 TRUTH TABLE**

INPUTS					OUTPUTS							
ENABLE		ADDRESS										
E <sub>3</sub>	(NOTE 4) E <sub>0</sub>	A <sub>2</sub>	A <sub>1</sub>	A <sub>0</sub>	Y <sub>0</sub>	Y <sub>1</sub>	Y <sub>2</sub>	Y <sub>3</sub>	Y <sub>4</sub>	Y <sub>5</sub>	Y <sub>6</sub>	Y <sub>7</sub>
X	H	X	X	X	H	H	H	H	H	H	H	H
L	X	X	X	X	H	H	H	H	H	H	H	H
H	L	L	L	L	L	H	H	H	H	H	H	H
H	L	L	L	H	H	L	H	H	H	H	H	H
H	L	L	H	L	H	H	L	H	H	H	H	H
H	L	L	H	H	H	H	H	L	H	H	H	H
H	L	H	L	L	H	H	H	H	L	H	H	H
H	L	H	L	L	H	H	H	H	H	L	H	H
H	L	H	H	L	H	H	H	H	H	H	L	H
H	L	H	H	H	H	H	H	H	H	H	H	L

**CD74AC/ACT238 TRUTH TABLE**

INPUTS					OUTPUTS							
ENABLE		ADDRESS										
E <sub>3</sub>	(NOTE 4) E <sub>0</sub>	A <sub>2</sub>	A <sub>1</sub>	A <sub>0</sub>	Y <sub>0</sub>	Y <sub>1</sub>	Y <sub>2</sub>	Y <sub>3</sub>	Y <sub>4</sub>	Y <sub>5</sub>	Y <sub>6</sub>	Y <sub>7</sub>
X	H	X	X	X	L	L	L	L	L	L	L	L
L	X	X	X	X	L	L	L	L	L	L	L	L
H	L	L	L	L	H	L	L	L	L	L	L	L
H	L	L	L	H	L	H	L	L	L	L	L	L
H	L	L	H	L	L	L	H	L	L	L	L	L
H	L	L	H	H	L	L	L	H	L	L	L	L
H	L	H	L	L	L	L	L	L	H	L	L	L
H	L	H	L	H	L	L	L	L	L	H	L	L
H	L	H	H	L	L	L	L	L	L	L	H	L
H	L	H	H	H	L	L	L	L	L	L	L	H

NOTES:

19. H = High Level, L = Low Level, X = Don't Care

20.  $\bar{E}_0 = \bar{E}_1 + \bar{E}_2$

## CD74AC138, CD74ACT138, CD74AC238, CD74ACT238

### Absolute Maximum Ratings

DC Supply Voltage, $V_{CC}$ .....	-0.5V to 6V
DC Input Diode Current, $I_{IK}$	
For $V_I < -0.5V$ or $V_I > V_{CC} + 0.5V$ .....	$\pm 20mA$
DC Output Diode Current, $I_{OK}$	
For $V_O < -0.5V$ or $V_O > V_{CC} + 0.5V$ .....	$\pm 50mA$
DC Output Source or Sink Current per Output Pin, $I_O$	
For $V_O > -0.5V$ or $V_O < V_{CC} + 0.5V$ .....	$\pm 50mA$
DC $V_{CC}$ or Ground Current, $I_{CC}$ or $I_{GND}$ (Note 5) .....	$\pm 100mA$

### Thermal Information

Thermal Resistance (Typical, Note 7)	$\theta_{JA}$ ( $^{\circ}C/W$ )
PDIP Package .....	90
SOIC Package .....	160
Maximum Junction Temperature (Plastic Package) .....	150 $^{\circ}C$
Maximum Storage Temperature Range .....	-65 $^{\circ}C$ to 150 $^{\circ}C$
Maximum Lead Temperature (Soldering 10s) .....	300 $^{\circ}C$

### Operating Conditions

Temperature Range, $T_A$ .....	-55 $^{\circ}C$ to 125 $^{\circ}C$
Supply Voltage Range, $V_{CC}$ (Note 6)	
AC Types .....	1.5V to 5.5V
ACT Types .....	4.5V to 5.5V
DC Input or Output Voltage, $V_I$ , $V_O$ .....	0V to $V_{CC}$
Input Rise and Fall Slew Rate, $dt/dv$	
AC Types, 1.5V to 3V .....	50ns (Max)
AC Types, 3.6V to 5.5V .....	20ns (Max)
ACT Types, 4.5V to 5.5V .....	10ns (Max)

*CAUTION: Stresses above those listed in "Absolute Maximum Ratings" may cause permanent damage to the device. This is a stress only rating and operation of the device at these or any other conditions above those indicated in the operational sections of this specification is not implied.*

#### NOTES:

21. For up to 4 outputs per device, add  $\pm 25mA$  for each additional output.
22. Unless otherwise specified, all voltages are referenced to ground.
23.  $\theta_{JA}$  is measured with the component mounted on an evaluation PC board in free air.

### DC Electrical Specifications

PARAMETER	SYMBOL	TEST CONDITIONS		$V_{CC}$ (V)	25 $^{\circ}C$		-40 $^{\circ}C$ TO 85 $^{\circ}C$		-55 $^{\circ}C$ TO 125 $^{\circ}C$		UNITS	
		$V_I$ (V)	$I_O$ (mA)		MIN	MAX	MIN	MAX	MIN	MAX		
<b>AC TYPES</b>												
High Level Input Voltage	$V_{IH}$	-	-	1.5	1.2	-	1.2	-	1.2	-	V	
				3	2.1	-	2.1	-	2.1	-	V	
				5.5	3.85	-	3.85	-	3.85	-	V	
Low Level Input Voltage	$V_{IL}$	-	-	1.5	-	0.3	-	0.3	-	0.3	V	
				3	-	0.9	-	0.9	-	0.9	V	
				5.5	-	1.65	-	1.65	-	1.65	V	
High Level Output Voltage	$V_{OH}$	$V_{IH}$ or $V_{IL}$	-0.05	-0.05	1.5	1.4	-	1.4	-	1.4	-	V
			-0.05	-0.05	3	2.9	-	2.9	-	2.9	-	V
			-0.05	-0.05	4.5	4.4	-	4.4	-	4.4	-	V
			-4	-4	3	2.58	-	2.48	-	2.4	-	V
			-24	-24	4.5	3.94	-	3.8	-	3.7	-	V
			-75 (Note 8, 9)	-75	5.5	-	-	3.85	-	-	-	V
			-50 (Note 8, 9)	-50	5.5	-	-	-	-	3.85	-	V

**CD74AC138, CD74ACT138, CD74AC238, CD74ACT238**

**DC Electrical Specifications (Continued)**

PARAMETER	SYMBOL	TEST CONDITIONS		V <sub>CC</sub> (V)	25°C		-40°C TO 85°C		-55°C TO 125°C		UNITS
		V <sub>I</sub> (V)	I <sub>O</sub> (mA)		MIN	MAX	MIN	MAX	MIN	MAX	
Low Level Output Voltage	V <sub>OL</sub>	V <sub>IH</sub> or V <sub>IL</sub>	0.05	1.5	-	0.1	-	0.1	-	0.1	V
			0.05	3	-	0.1	-	0.1	-	0.1	V
			0.05	4.5	-	0.1	-	0.1	-	0.1	V
			12	3	-	0.36	-	0.44	-	0.5	V
			24	4.5	-	0.36	-	0.44	-	0.5	V
			75 (Note 8, 9)	5.5	-	-	-	1.65	-	-	V
			50 (Note 8, 9)	5.5	-	-	-	-	-	1.65	V
Input Leakage Current	I <sub>I</sub>	V <sub>CC</sub> or GND	-	5.5	-	±0.1	-	±1	-	±1	μA
Quiescent Supply Current MSI	I <sub>CC</sub>	V <sub>CC</sub> or GND	0	5.5	-	8	-	80	-	160	μA
<b>ACT TYPES</b>											
High Level Input Voltage	V <sub>IH</sub>	-	-	4.5 to 5.5	2	-	2	-	2	-	V
Low Level Input Voltage	V <sub>IL</sub>	-	-	4.5 to 5.5	-	0.8	-	0.8	-	0.8	V
High Level Output Voltage	V <sub>OH</sub>	V <sub>IH</sub> or V <sub>IL</sub>	-0.05	4.5	4.4	-	4.4	-	4.4	-	V
			-24	4.5	3.94	-	3.8	-	3.7	-	V
			-75 (Note 8, 9)	5.5	-	-	3.85	-	-	-	V
			-50 (Note 8, 9)	5.5	-	-	-	-	3.85	-	V
Low Level Output Voltage	V <sub>OL</sub>	V <sub>IH</sub> or V <sub>IL</sub>	0.05	4.5	-	0.1	-	0.1	-	0.1	V
			24	4.5	-	0.36	-	0.44	-	0.5	V
			75 (Note 8, 9)	5.5	-	-	-	1.65	-	-	V
			50 (Note 8, 9)	5.5	-	-	-	-	-	1.65	V
Input Leakage Current	I <sub>I</sub>	V <sub>CC</sub> or GND	-	5.5	-	±0.1	-	±1	-	±1	μA
Quiescent Supply Current MSI	I <sub>CC</sub>	V <sub>CC</sub> or GND	0	5.5	-	8	-	80	-	160	μA
Additional Supply Current per Input Pin TTL Inputs High 1 Unit Load	ΔI <sub>CC</sub>	V <sub>CC</sub> -2.1	-	4.5 to 5.5	-	2.4	-	2.8	-	3	mA

**NOTES:**

- 24. Test one output at a time for a 1-second maximum duration. Measurement is made by forcing current and measuring voltage to minimize power dissipation.
- 25. Test verifies a minimum 50Ω transmission-line-drive capability at 85°C, 75Ω at 125°C.

**ACT Input Load Table**

INPUT	UNIT LOAD
A0-A2	0.83
$\bar{E}1, \bar{E}2$	1
E3	0.42

NOTE: Unit load is ΔI<sub>CC</sub> limit specified in DC Electrical Specifications Table, e.g., 2.4mA max at 25°C.

**CD74AC138, CD74ACT138, CD74AC238, CD74ACT238**

**Switching Specifications** Input  $t_r, t_f = 3\text{ns}$ ,  $C_L = 50\text{pF}$  (Worst Case)

PARAMETER	SYMBOL	V <sub>CC</sub> (V)	-40°C TO 85°C			-55°C TO 125°C			UNITS
			MIN	TYP	MAX	MIN	TYP	MAX	
<b>AC TYPES</b>									
Propagation Delay, An to Output (CD74AC/ACT138)	$t_{PLH}, t_{PHL}$	1.5	-	-	125	-	-	138	ns
		3.3 (Note 11)	4	-	14	3.9	-	15.4	ns
		5 (Note 12)	2.8	-	10	2.8	-	11	ns
Propagation Delay, $\bar{E}1, \bar{E}2$ to Output (CD74AC/ACT138)	$t_{PLH}, t_{PHL}$	1.5	-	-	114	-	-	125	ns
		3.3	3.6	-	12.7	3.5	-	14	ns
		5	2.6	-	9.1	2.5	-	10	ns
Propagation Delay, E3 to Output (CD74AC/ACT138)	$t_{PLH}, t_{PHL}$	1.5	-	-	125	-	-	138	ns
		3.3	4	-	14	3.9	-	15.4	ns
		5	2.8	-	10	2.8	-	11	ns
Propagation Delay, An to Output (CD74AC/ACT238)	$t_{PLH}, t_{PHL}$	1.5	-	-	170	-	-	187	ns
		3.3	5.4	-	19.1	5.3	-	21	ns
		5	3.9	-	13.6	3.8	-	15	ns
Propagation Delay, $\bar{E}1, \bar{E}2$ to Output (CD74AC/ACT238)	$t_{PLH}, t_{PHL}$	1.5	-	-	135	-	-	149	ns
		3.3	4.3	-	15.2	4.2	-	16.7	ns
		5	3.1	-	10.7	3	-	11.9	ns
Propagation Delay, E3 to Output (CD74AC/ACT238)	$t_{PLH}, t_{PHL}$	1.5	-	-	189	-	-	208	ns
		3.3	6	-	21.1	5.8	-	23.2	ns
		5	4.3	-	15.1	4.2	-	16.6	ns
Input Capacitance	C <sub>I</sub>	-	-	-	10	-	-	10	pF
Power Dissipation Capacitance	C <sub>PD</sub> (Note 13)	-	-	110	-	-	110	-	pF
<b>ACT TYPES</b>									
Propagation Delay, An to Output (CD74AC/ACT138)	$t_{PLH}, t_{PHL}$	5 (Note 12)	3.1	-	10.9	3	-	12	ns
Propagation Delay, $\bar{E}1, \bar{E}2$ to Output (CD74AC/ACT138)	$t_{PLH}, t_{PHL}$	5	2.7	-	9.5	2.6	-	10.5	ns
Propagation Delay, E3 to Output (CD74AC/ACT138)	$t_{PLH}, t_{PHL}$	5	2.8	-	10	2.8	-	11	ns
Propagation Delay, An to Output (CD74AC/ACT238)	$t_{PLH}, t_{PHL}$	5	4	-	14.2	3.9	-	15.6	ns
Propagation Delay, $\bar{E}1, \bar{E}2$ to Output (CD74AC/ACT238)	$t_{PLH}, t_{PHL}$	5	3.7	-	12.9	3.6	-	14.2	ns

## CD74AC138, CD74ACT138, CD74AC238, CD74ACT238

### Switching Specifications Input $t_r, t_f = 3\text{ns}$ , $C_L = 50\text{pF}$ (Worst Case) (Continued)

PARAMETER	SYMBOL	$V_{CC}$ (V)	-40°C TO 85°C			-55°C TO 125°C			UNITS
			MIN	TYP	MAX	MIN	TYP	MAX	
Propagation Delay, E3 to Output (CD74AC/ACT238)	$t_{PLH}, t_{PHL}$	5	3.5	-	12.4	3.4	-	13.6	ns
Input Capacitance	$C_I$	-	-	-	10	-	-	10	pF
Power Dissipation Capacitance	$C_{PD}$ (Note 13)	-	-	110	-	-	110	-	pF

**NOTES:**

26. Limits tested at 100%.

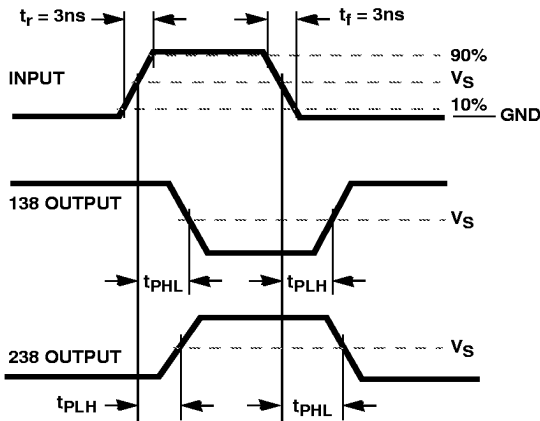
27. 3.3V Min at 3.6V, Max at 3V.

28. 5V Min at 5.5V, Max at 4.5V.

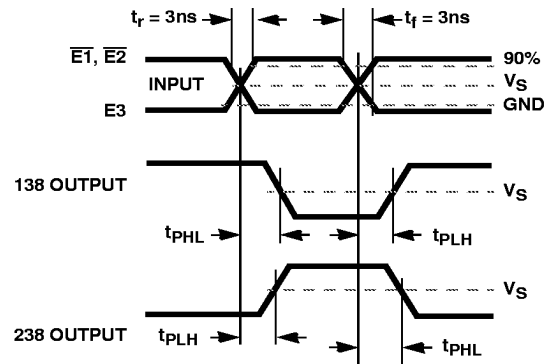
29.  $C_{PD}$  is used to determine the dynamic power consumption per package.

AC:  $P_D = V_{CC}^2 f_i (C_{PD} + C_L)$

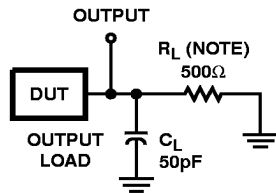
ACT:  $P_D = V_{CC}^2 f_i (C_{PD} + C_L) + V_{CC} \Delta I_{CC}$  where  $f_i$  = input frequency,  $C_L$  = output load capacitance,  $V_{CC}$  = supply voltage.



**FIGURE 8. PROPAGATION DELAY TIMES**



**FIGURE 9. PROPAGATION DELAY TIMES**



NOTE: For AC Series Only: When  $V_{CC} = 1.5\text{V}$ ,  $R_L = 1\text{k}\Omega$ .

	CD74AC	CD74ACT
Input Level	$V_{CC}$	3V
Input Switching Voltage, $V_S$	$0.5 V_{CC}$	1.5V
Output Switching Voltage, $V_S$	$0.5 V_{CC}$	$0.5 V_{CC}$

**FIGURE 10. PROPAGATION DELAY TIMES**