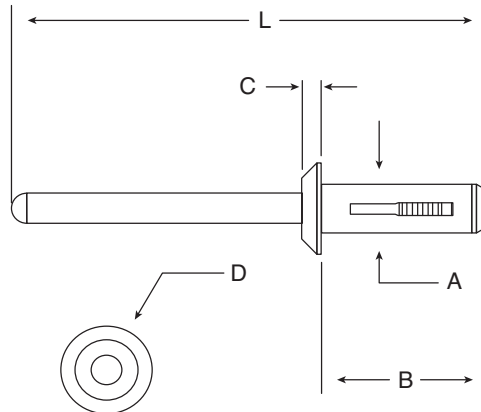


Dimensions: in.



The Blind Rivet is a precision molded all plastic rivet used to fasten plastic to plastic, plastics to metal, and plastic to fiberglass. Rivets are non-conductive and non-corrosive. The body of the rivet is molded in Impact Modified Nylon and the pin is molded in Acetal. The three leg design securely locks the panels in place and prevents pullout. The rivet inserts from either side of the assembly using standard rivet setting tools. As the pin is pulled through the body it draws the panels together. When set the pin breaks off even with the head leaving an attractive finished look.

- **Body: Molded in Black Impact Modified Nylon 6/6**
- **Pin: Molded in Black Acetal**

Part Number	Dimensions: in.					Hole Size	Grip Range
	A	B	C	D	L		
561-BR197157	.187(±.005)	.652(±.030)	.071(±.005)	.350(±.005)	1.845(±.031)	.218	.118 - .158
561-BR250394A	.241(±.005)	1.105(±.031)	.098(±.005)	.508(±.005)	2.197(±.031)	.250	.157 - .394
561-BR250394	.240(±.005)	1.105(±.031)	.098(±.005)	.665(±.008)	2.197(±.031)	.250	.157 - .394
561-BR250236	.240(±.005)	.701(±.031)	.097(±.005)	.660(±.008)	2.168(±.031)	.250	.157 - .236

RoHS Compliant

# Mouser Electronics

Authorized Distributor

Click to View Pricing, Inventory, Delivery & Lifecycle Information:

[Eagle Plastic Devices:](#)

[561-BR197157](#) [561-BR250236](#) [561-BR250394](#) [561-BR250394A](#)