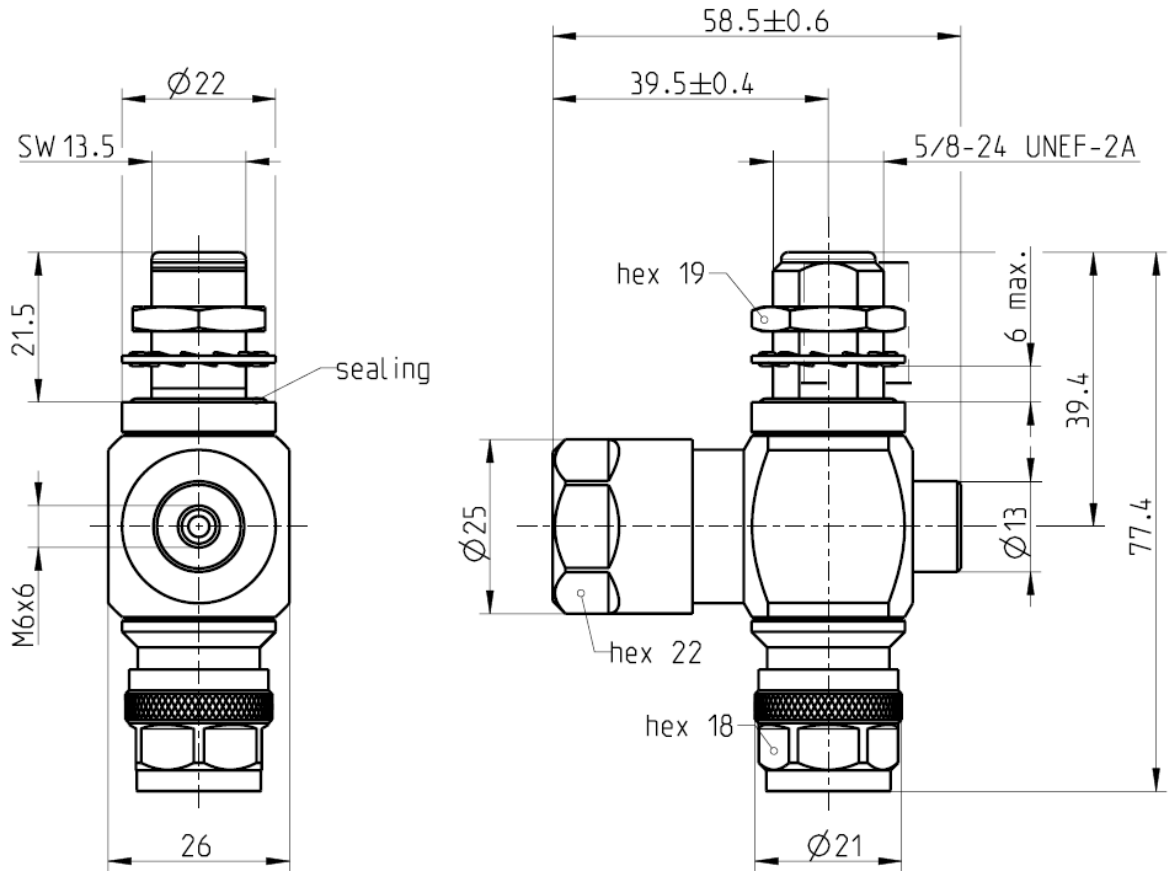


N 50 Ω

**SURGE ARRESTER
JACK - PLUG**

53BK565-SXXXN1



All dimensions are in mm; tolerances according to ISO 2768 m-H

Order No	Nom. DC spark over voltage	Residual voltage (20kA 8/20 µs)	Residual voltage (4kV 1.2/50µs, 2kA 8/20 µs)	Residual energy (4kV 1.2/50µs, 2kA 8/20 µs)	Power handling (20 °C, sea level, VSWR 1.0)	Gas capsule
53BK565-S090N1	90 V	Tbd	Tbd	Tbd	1000 W	53ZB03-090
53BK565-S230N1	230 V	Tbd	Tbd	Tbd	5000 W	53ZB01-230
53BK565-S350N1	350 V	Tbd	Tbd	Tbd	10000 W	53ZB01-350

Interface

According to

IEC 60169-16, MIL-PRF-39012, CECC 22210

Documents

Panel piercing
Assembly instruction

B 13
MA_60X2

Material and plating

Connector parts

Center contact jack side
Center contact plug side
Outer contact
Body
Dielectric
Gasket

Material

Spring bronze
Brass
Brass
Brass
PTFE
Silicone

Plating

Silver, 3-6 µm
Silver, 3-6 µm
Flash white bronze over silver (e.g. Optargen®)
Flash white bronze over silver (e.g. Optargen®)

Dieses Dokument ist urheberrechtlich geschützt • This document is protected by copyright • Rosenberger Hochfrequenztechnik GmbH & Co. KG

RF_35/05:10/6.0

N 50 Ω

**SURGE ARRESTER
JACK - PLUG**

53BK565-SXXXN1

Electrical data

Impedance	50 Ω
Frequency	698 to 2700 MHz
Return loss	≥ 21 dB, 698 to 800 MHz ≥ 26 dB, 800 to 960 MHz ≥ 21 dB, 960 to 1700 MHz ≥ 26 dB, 1700 to 2200 MHz ≥ 24 dB, 2200 to 2500 MHz ≥ 21 dB, 2500 to 2700 MHz
Insertion loss	≤ 0.1 dB
Center contact resistance	≤ 5 mΩ
Outer contact resistance	≤ 5 mΩ
Test voltage (at sea level)	2500 V rms
Working voltage (at sea level)	1400 V rms
RF-leakage	≥ 128 dB @ DC to 1 GHz
Intermodulation 3 rd order	< -117 dBm @ 2 x 20 W
Nominal impulse discharge current	10 x 20 kA (8/20 μs) 1 x 30 kA (8/20 μs)

Mechanical data

Mating cycles	≥ 500
Coupling nut retention	≥ 450 N
Center contact captivation: axial	≥ 28 N
radial	≥ 3 Ncm
Coupling test torque	≤ 1.7 Nm
Recommended torque	0.7 Nm to 1.1 Nm

Environmental data

Temperature range	-45°C to +85°C
Thermal shock	MIL-STD-202, Meth. 107, Cond. B
Corrosion	MIL-STD-202, Meth. 101, Cond. B
Vibration	MIL-STD-202, Meth. 204, Cond. B
Shock	MIL-STD-202, Meth. 213, Cond. I
Moisture resistance	MIL-STD-202, Meth. 106
Degree of protection	IEC 60529, IP68 1h, 2.5 bar (mated condition)
2002/95/EC (RoHS)	compliant

Packing

Standard	1 pce in box
Weight	240 g/pce

While the information has been carefully compiled to the best of our knowledge, nothing is intended as representation or warranty on our part and no statement herein shall be construed as recommendation to infringe existing patents. In the effort to improve our products, we reserve the right to make changes judged to be necessary.

Draft	Date	Approved	Date	Rev.	Engineering change number	Name	Date
H.Schütt	22/12/10	H.Schütt	22/12/10	100	10-v843	T.Stadler	22/12/10

Rosenberger Hochfrequenztechnik GmbH & Co. KG P.O.Box 1260 D-84526 Tittmoning Germany www.rosenberger.de				Tel. : +49 8684 18-0 Fax : +49 8684 18-499 Email : info@rosenberger.de		Page 2 / 2	
--	--	--	--	---	--	---------------	--

Dieses Dokument ist urheberrechtlich geschützt • This document is protected by copyright • Rosenberger Hochfrequenztechnik GmbH & Co. KG RF_35/05:10/6.0