

New Jersey Semi-Conductor Products, Inc.

20 STERN AVE.
 SPRINGFIELD, NEW JERSEY 07081
 U.S.A.

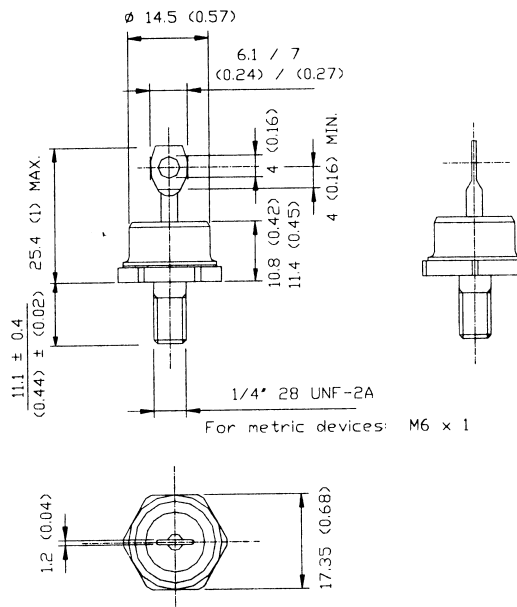
TELEPHONE: (973) 376-2922
 (212) 227-6005
 FAX: (973) 376-8960

40HFR100
SI RECTIFIER, 20A < I(O)/I(F) ≤ 50A

Description: Anode to Stud.

Manufacturer.....
 Mil/High-Rel? (Y/N).....
 I(out) (If AVG) Max..... 40
 @Temp. (test) (°C)..... 140#
 VRRM..... 1.0k
 1-Cycle Surge Current (A)..... 595
 Vf Max..... 1.3
 @If (test)..... 40
 @Temp. (test) for Vf)..... 25]
 Ir @25°C.....
 @Volts (test) (V)..... 1.0k
 Ir @ Diff. Temp (A)..... 9.0m
 @Temp (test) (°C)..... 180]
 Oper. Temp (°C) Max..... 190]
 Pkg Style.....
 Surface Mounted (Y/N)..... N

J Junction Temperature # Case Temperature ☒ It(rms)



Quality Semi-Conductors