



# TAI-SAW TECHNOLOGY CO., LTD.

No. 3, Industrial 2nd Rd., Ping-Chen Industrial District,  
Taoyuan, 324, Taiwan, R.O.C.

TEL: 886-3-4690038 FAX: 886-3-4697532

E-mail: [tstsales@mail.taisaw.com](mailto:tstsales@mail.taisaw.com) Web: [www.taisaw.com](http://www.taisaw.com)

## Product Specifications Approval Sheet

Product Description: SAW Filter 2450MHz 100MHz BW SMD 1.4x1.1 mm

TST Part No.: TA1629A

Customer Part No.: \_\_\_\_\_

Customer signature required
Company: _____
Division: _____
Approved by : _____
Date: _____

Checked by: \_\_\_\_\_ Andy Yu 

Approved by: \_\_\_\_\_ Bob Chau 

Date: \_\_\_\_\_ 06/26/2013

1. Customer signed back is required before TST can proceed with sample build and receive orders.
2. Orders received without customer signed back will be regarded as agreement on the specifications.
3. Any specifications changes must be approved upon by both parties and a new revision of specifications shall be released to reflect the changes.



# TAI-SAW TECHNOLOGY CO., LTD.

No. 3, Industrial 2nd Rd., Ping-Chen Industrial District,  
Taoyuan, 324, Taiwan, R.O.C.

TEL: 886-3-4690038 FAX: 886-3-4697532

E-mail: [tstsales@mail.taisaw.com](mailto:tstsales@mail.taisaw.com) Web: [www.taisaw.com](http://www.taisaw.com)

## SAW Filter 2450 MHz 100MHz BW SMD 1.4x1.1 mm

MODEL NO.:TA1629A

REV. NO.:2.0

### A. MAXIMUM RATING:

1. Input Power Level: 10 dBm
2. DC Voltage : 3V
3. Operating Temperature: -30°C to +85°C
4. Storage Temperature: -40°C to +85°C

RoHS Compliant  
Lead free  
Lead-free soldering

Electrostatic Sensitive Device (ESD)

### B. ELECTRICAL CHARACTERISTICS:

Terminating source impedance :  $Z_s = 50 \Omega$

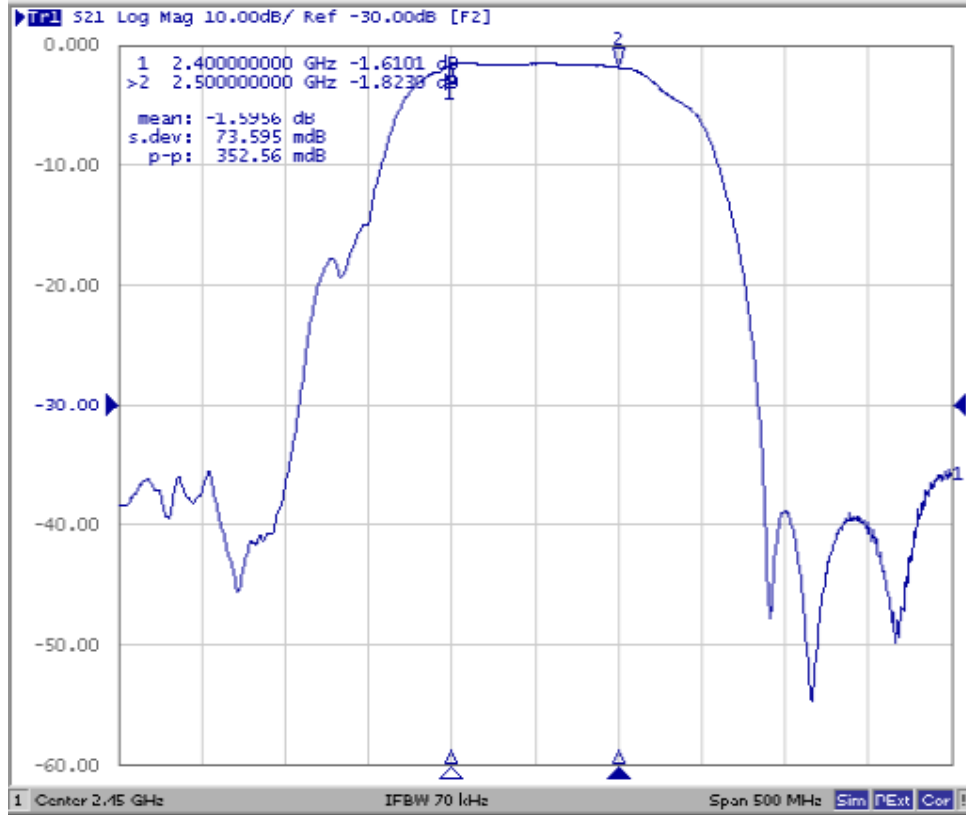
Terminating load impedance :  $Z_L = 50 \Omega$

Parameters Description	Unit	Minimum	Typical	Maxim
Center Frequency (Fo)	MHz	-	2450.0	-
Max.Insertion Loss within 2400.0~2500.0 MHz	dB	-	1.6	2.5
Amplitude Ripple within 2400.0~2500.0 MHz	dB <sub>p-p</sub>	-	0.4	1.5
VSWR within 2400.0~2500.0 MHz	-	-	1.4	2.3
<b>Attenuation:</b>				
D.C ~ 960.0 MHz	dB	35	55	-
960.0 ~ 1570.0 MHz	dB	35	42	-
1570.0 ~ 1580.0 MHz	dB	35	41	-
1580.0 ~ 1710.0 MHz	dB	35	40	-
1710.0 ~ 1910.0 MHz	dB	30	35	-
1910.0 ~ 1980.0 MHz	dB	30	36	-
2110.0 ~ 2170.0 MHz	dB	30	35	-
2640.0 ~ 3000.0 MHz	dB	25	31	-
3000.0 ~ 4800.0 MHz	dB	25	32	-
4800.0 ~ 5000.0 MHz	dB	20	35	-
5000.0 ~ 6000.0 MHz	dB	20	32	-

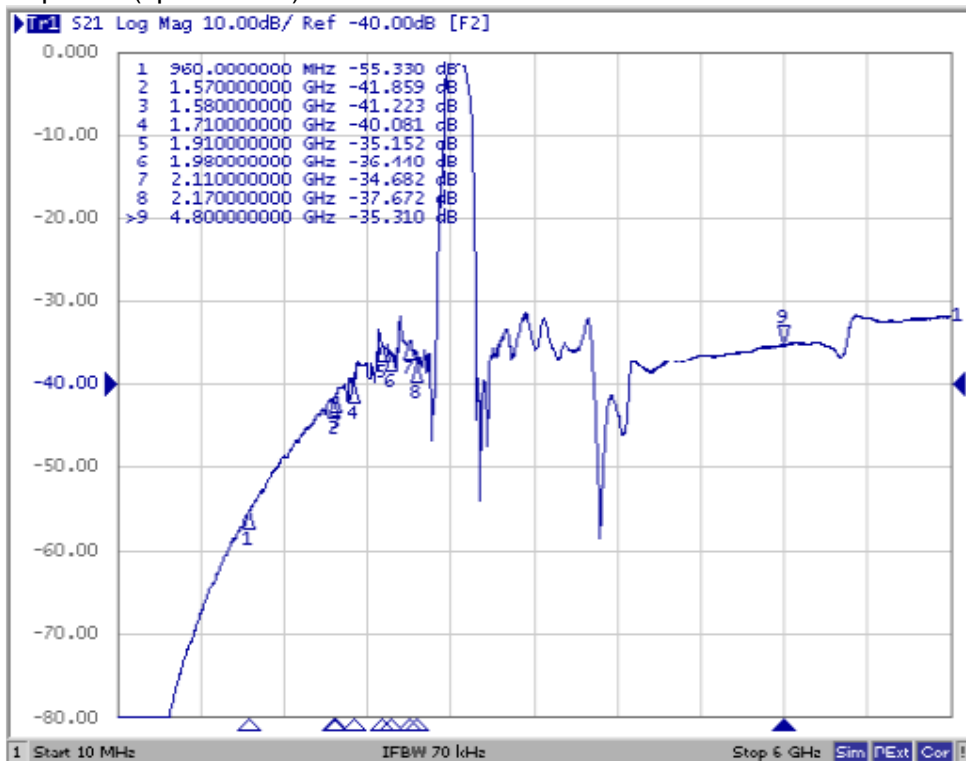
**Notes :** (1) With Matching Network (Ref. Testing Environment Circuit as shown below).

### C. FREQUENCY CHARACTERISTICS:

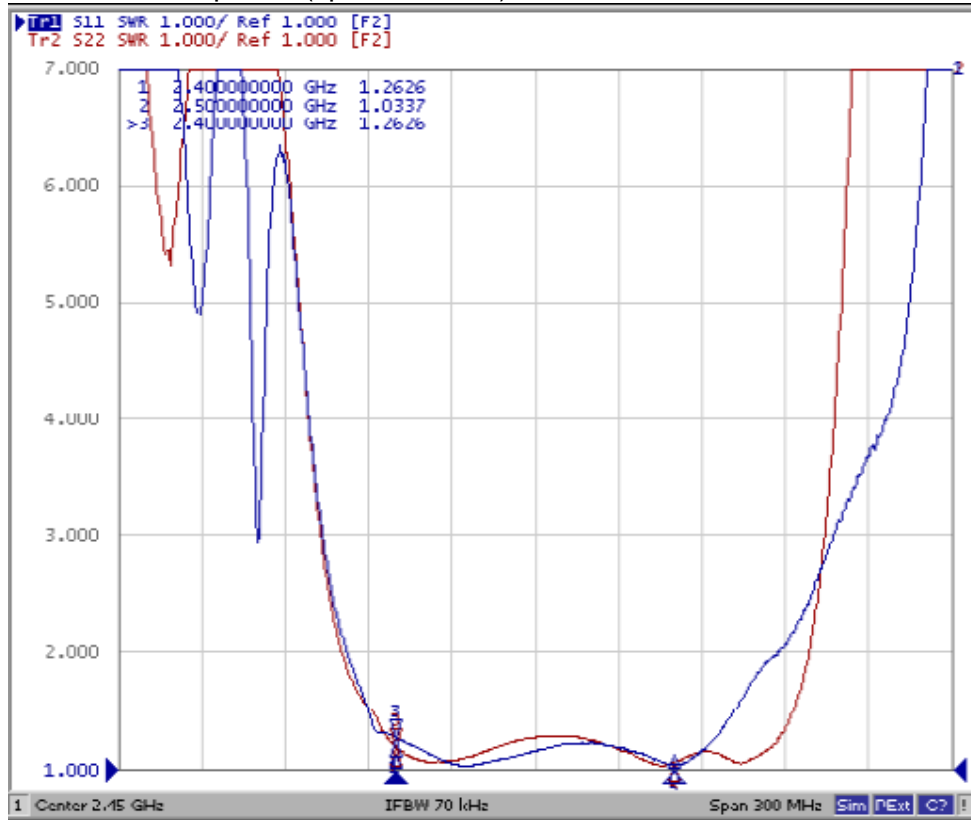
#### 1.S21 Response (span 500MHz):



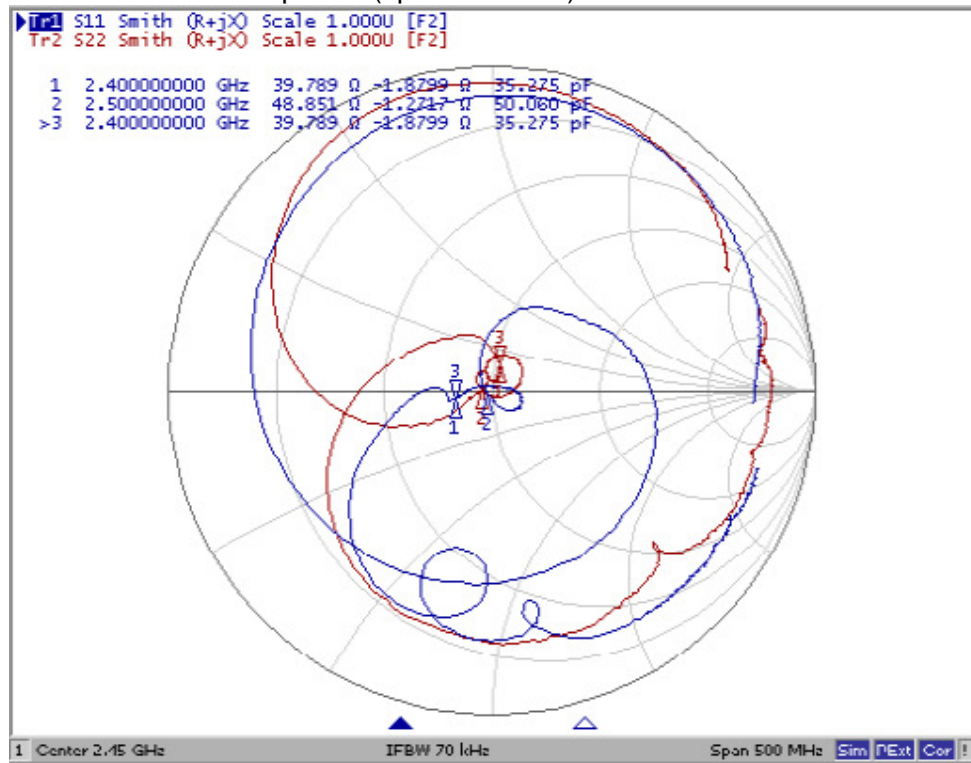
#### 2.S21 Response (span 6GHz):



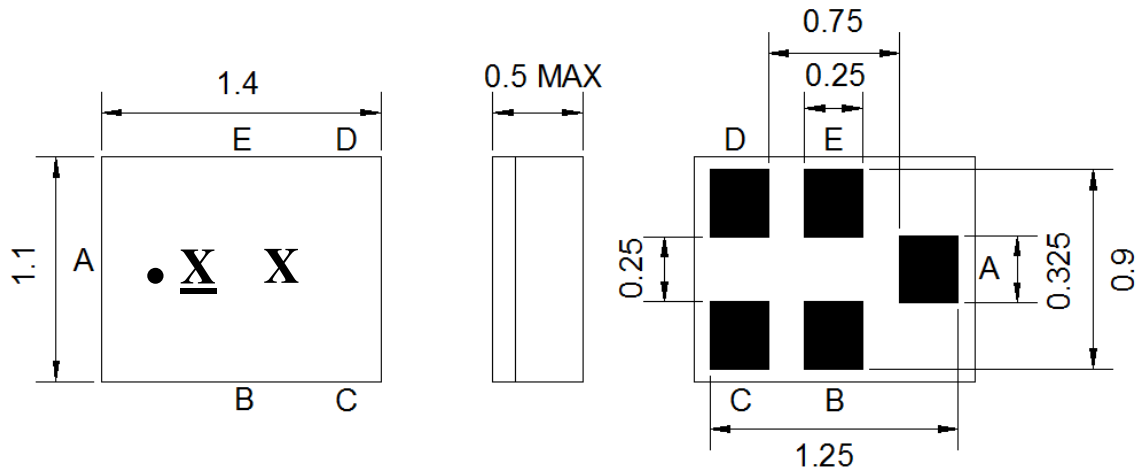
### 3.S11&S22 VSWR Response (span 300MHz):



### 4.S11&S22 Smith Chart Response (span 500MHz):



**D. OUTLINE DRAWING:**



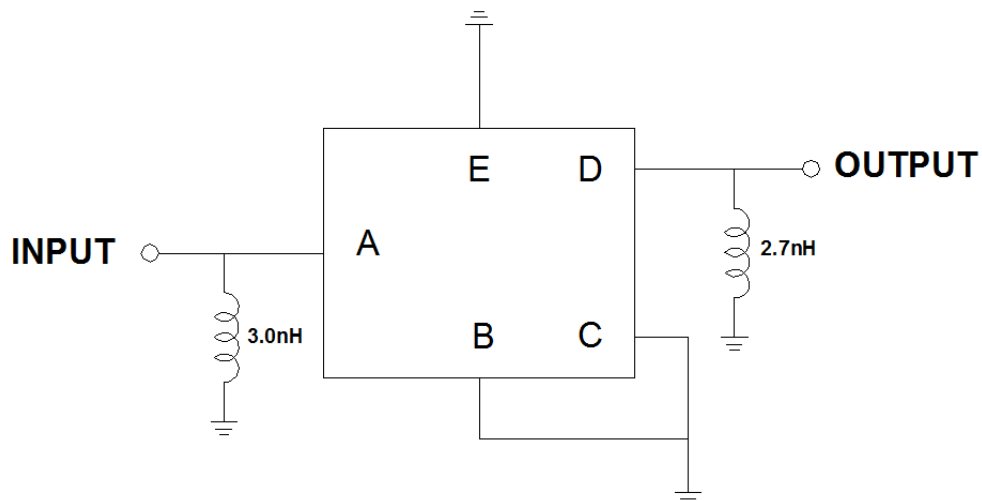
Marking Descriptions	
X	Series Number
X	Date Code(Year+Month)

Pin Description	
B, C, E	Ground
A	Input
D	Output

Date Code Table (Year+Month)

Z [year + month]												
구분	1	2	3	4	5	6	7	8	9	10	11	12
2011	A	B	C	D	E	F	G	H	J	K	L	M
2012	N	P	Q	R	S	T	U	V	W	X	Y	Z
2013	a	b	c	d	e	f	g	h	j	k	l	m
2014	n	p	q	r	s	t	u	v	w	x	y	z
2015	A	B	C	D	E	F	G	H	J	K	L	M
2016	N	P	Q	R	S	T	U	V	W	X	Y	Z

**E. MEASUREMENT CIRCUIT:**

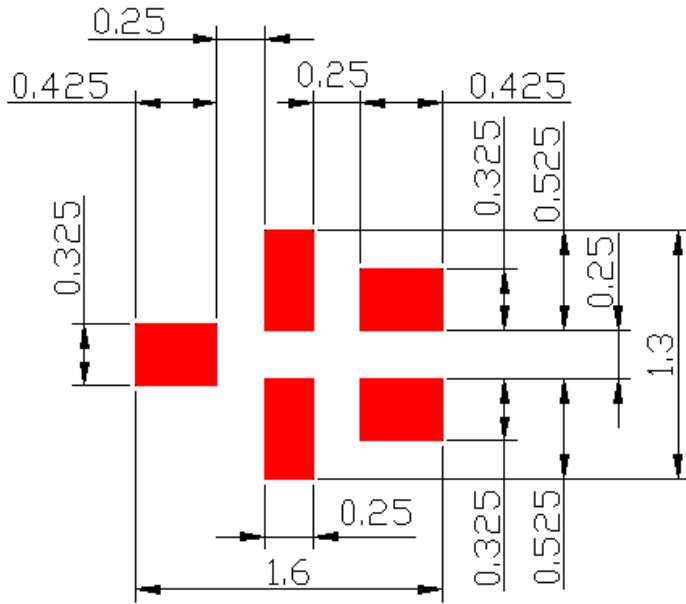


Source & Load Impedance: 50 Ω

TAI-SAW TECHNOLOGY CO., LTD.

**TST DCC**  
Release document

**F. FOOTPRINT:**

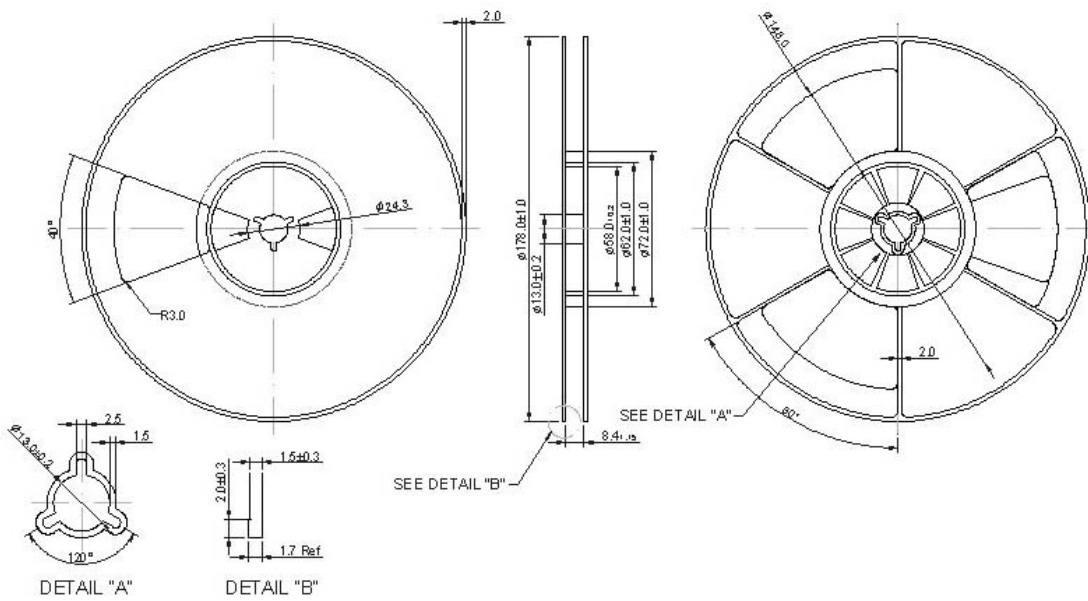


: Land Pattern  
 Unit : mm

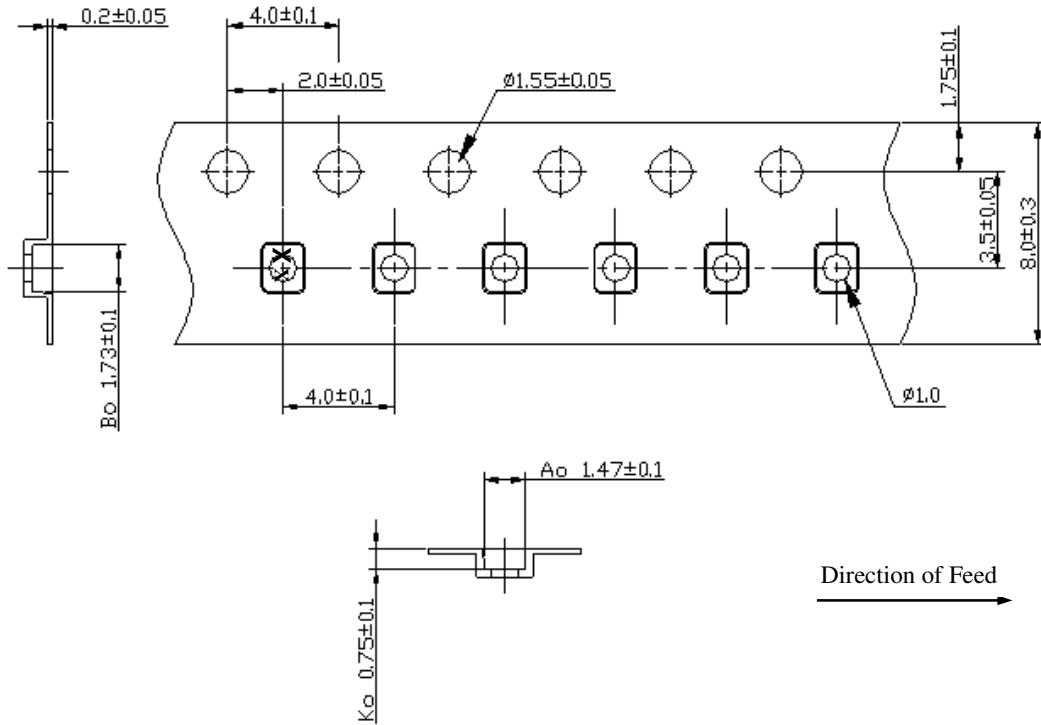
**G. PACKING:**

**1. REEL DIMENSION**

(Please refer to FR-75D10 for packing quantity)



## 2. TAPE DIMENSION



## H. RECOMMENDED REFLOW PROFILE :

