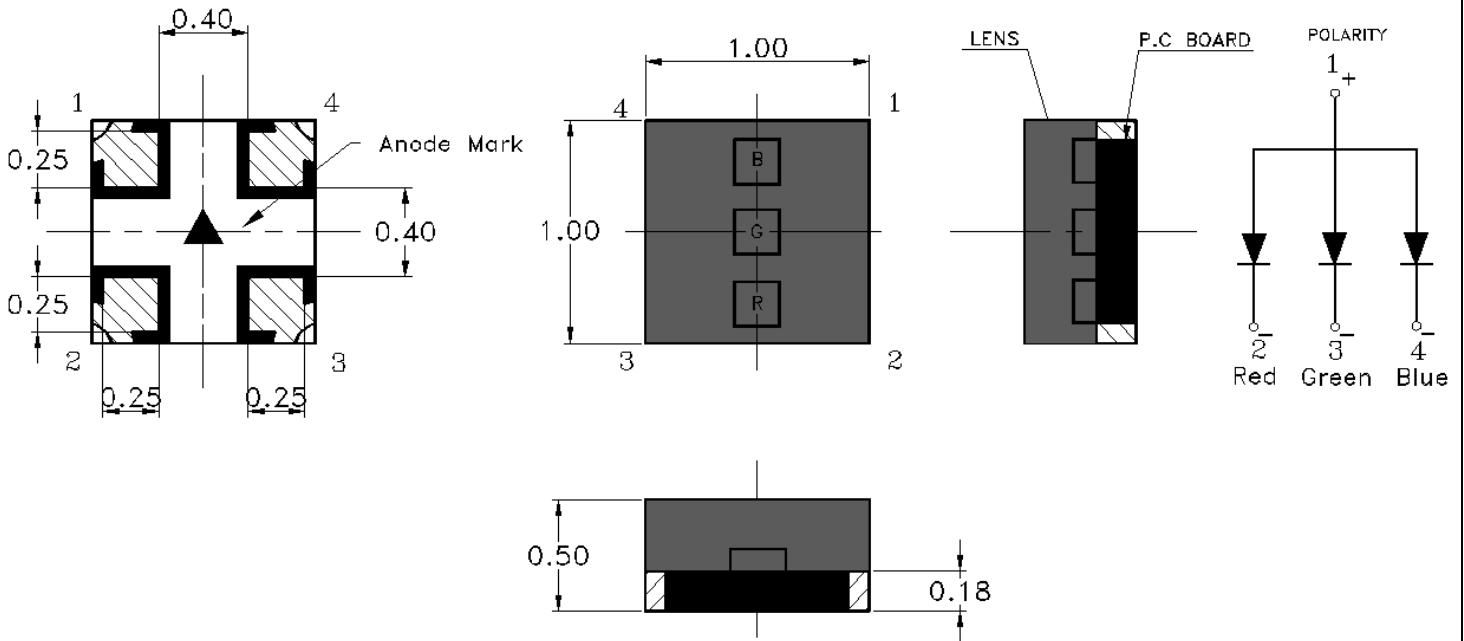


Features

- * Meet ROHS
- * Extra Thin (0.50Hmm) Full Color SMD Chip LED.
- * Ultra Bright InGaN / AlInGaP Chip LED
- * Package In 8mm Tape On 7" Diameter Reels.
- * EIA STD Package.
- * I.C. Compatible.
- * Compatible With Automatic Placement Equipment.
- * Compatible With Infrared Reflow Solder Process.

Package Dimensions



| Part no. | Lens | Source Color | Pin Assignment |
|---------------|-------|--------------|----------------|
| LTSN-B28JEGBB | Black | AlInGaP Red | 2 |
| | | InGaN Green | 3 |
| | | InGaN Blue | 4 |

Notes:

1. All dimensions are in millimeters (inches).
2. Tolerance is ± 0.10 mm (.004") unless otherwise noted.

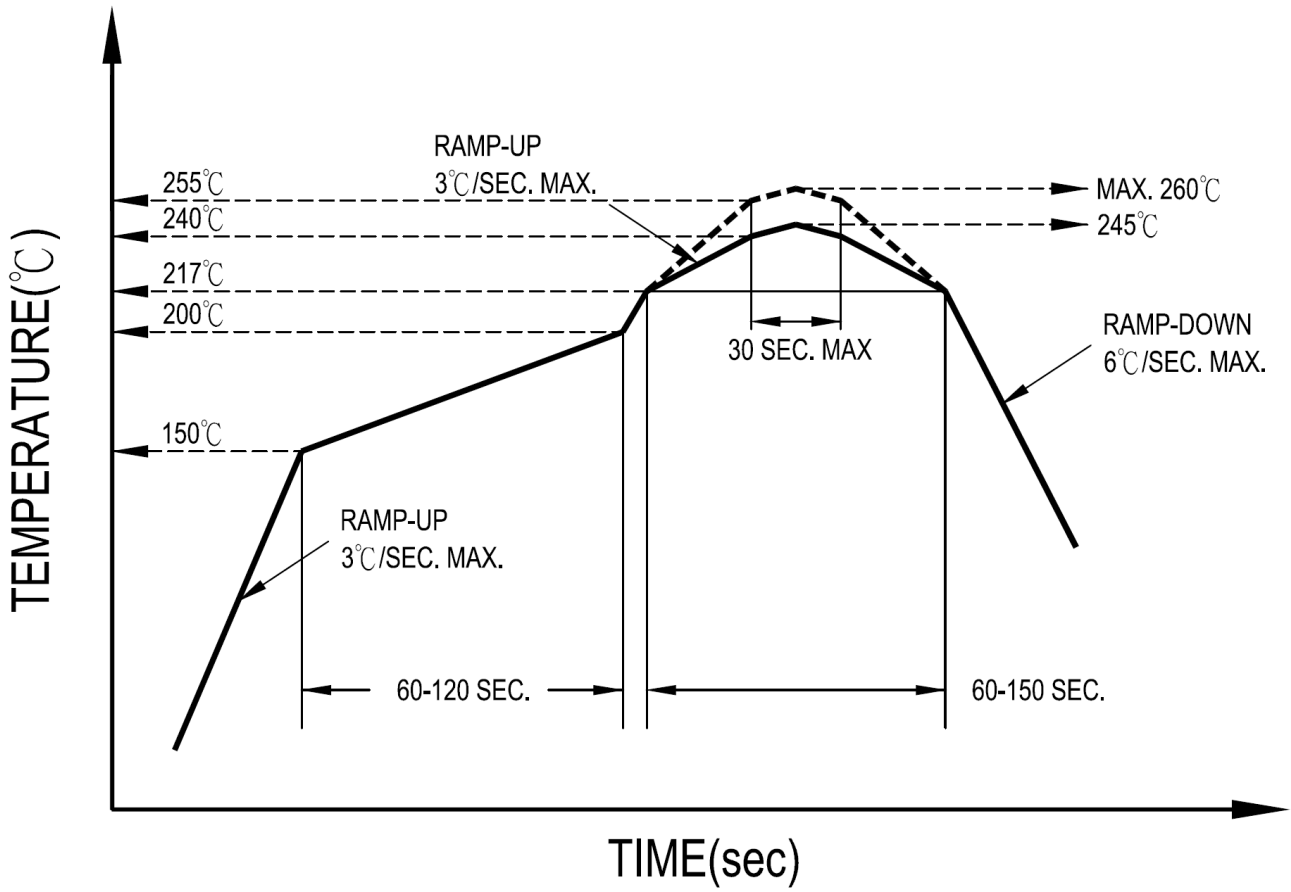
Property of Lite-On Only

Absolute Maximum Ratings At Ta=25°C

| Parameter | LTSN-B28JEGBB | | | Unit |
|--|----------------------|-------|------|------|
| | Red | Green | Blue | |
| Power Dissipation | 62.5 | 76 | 76 | mW |
| Peak Forward Current (1/10 Duty Cycle, 0.1ms Pulse Width) | 60 | 100 | 100 | mA |
| DC forward current | 25 | 20 | 20 | mA |
| Operating Temperature Range | -20°C to + 80°C | | | |
| Storage Temperature Range | -30°C to +100°C | | | |
| Infrared Soldering Condition | 260°C For 10 Seconds | | | |

Suggestion Profile:

Suggestion IR Reflow Profile For Pb Free Process



Property of Lite-On Only

Electrical Optical Characteristics At Ta=25°C

| Parameter | Symbol | | LTSN-B28JEGBB | | | Unit | Test Condition |
|--------------------------|--------|------|---------------|-------|-------|------|---------------------------|
| | | | Red | Green | Blue | | |
| Luminous Intensity | IV | MIN. | 10.0 | 18.0 | 4.50 | mcd | IF=5mA Note 1 |
| | | TYP. | - | - | | | |
| | | MAX. | 25.0 | 53.9 | 16.20 | | |
| Viewing Angle | 2θ1/2 | TYP. | 130 | | | deg | Note 2 (Fig.5) |
| Peak Emission Wavelength | λPeak | TYP. | 632.0 | 520.0 | 468.0 | nm | Measurement @Peak (Fig.1) |
| Dominant Wavelength | λd | MIN. | 615.0 | 525.0 | 465.0 | nm | IF=5mA Note 3 |
| | | MAX. | 627.0 | 537.5 | 477.5 | | |
| Spectral Line Half-Width | Δλ | TYP. | 20 | 35 | 25 | nm | |
| Forward Voltage | VF | MIN. | 1.50 | 2.50 | 2.50 | V | IF=5mA |
| | | TYP. | - | - | - | | |
| | | MAX. | 2.30 | 3.70 | 3.70 | | |
| Reverse Current | IR | MAX. | 10 | 10 | 10 | μA | VR = 5V Note 5 |

Notes: 1. Luminous intensity is measured with a light sensor and filter combination that approximates the CIE eye-response curve.

2. θ1/2 is the off-axis angle at which the luminous intensity is half the axial luminous intensity.

3. The dominant wavelength, λd is derived from the CIE chromaticity diagram and represents the single wavelength which defines the color of the device.

4. Caution in ESD:

Static Electricity and surge damages the LED. It is recommend to use a wrist band or anti-electrostatic glove when handling the LED. All devices, equipment and machinery must be properly grounded.

5. Reverse voltage (VR) condition is applied to IR test only. The device is not designed for reverse operation.

Property of Lite-On Only

Bin Code List

| Luminous Intensity | | Color : <u>Red</u> , Unit : mcd @ 5mA | |
|--------------------|------|---------------------------------------|--|
| Bin Code | Min. | Max. | |
| A | 10.0 | 12.0 | |
| B | 12.0 | 14.4 | |
| C | 14.4 | 17.3 | |
| D | 17.3 | 20.8 | |
| E | 20.8 | 25.0 | |

Tolerance on each Intensity bin is +/-15%

| Luminous Intensity | | Color : <u>Green</u> , Unit : mcd @ 5mA | |
|--------------------|------|---|--|
| Bin Code | Min. | Max. | |
| A | 18.0 | 21.6 | |
| B | 21.6 | 25.9 | |
| C | 25.9 | 31.1 | |
| D | 31.1 | 37.4 | |
| E | 37.4 | 44.9 | |
| F | 44.9 | 53.9 | |

Tolerance on each Intensity bin is +/-15%

| Luminous Intensity | | Color : <u>Blue</u> , Unit : mcd @ 5mA | |
|--------------------|-------|--|--|
| Bin Code | Min. | Max. | |
| A | 4.50 | 5.40 | |
| B | 5.40 | 6.48 | |
| C | 6.48 | 7.77 | |
| D | 7.77 | 9.33 | |
| E | 9.33 | 11.20 | |
| F | 11.20 | 13.50 | |
| G | 13.50 | 16.20 | |

Tolerance on each Intensity bin is +/-15%

Property of Lite-On Only

Bin Code List

| Dominant Wavelength | | Color : <u>Red</u> , Unit : nm @ 5 mA | |
|---------------------|-------|---------------------------------------|--|
| Bin Code | Min. | Max. | |
| R1 | 615.0 | 618.0 | |
| R2 | 618.0 | 621.0 | |
| R3 | 621.0 | 624.0 | |
| R4 | 624.0 | 627.0 | |

Tolerance for each Dominate Wavelength bin is +/- 1nm

| Dominant Wavelength | | Color : <u>Green</u> , Unit : nm @ 5 mA | |
|---------------------|-------|---|--|
| Bin Code | Min. | Max. | |
| G1 | 525.0 | 527.5 | |
| G2 | 527.5 | 530.0 | |
| G3 | 530.0 | 532.5 | |
| G4 | 532.5 | 535.0 | |
| G5 | 535.0 | 537.5 | |

Tolerance for each Dominate Wavelength bin is +/- 1nm

| Dominant Wavelength | | Color : <u>Blue</u> , Unit : nm @ 5 mA | |
|---------------------|-------|--|--|
| Bin Code | Min. | Max. | |
| B1 | 465.0 | 467.5 | |
| B2 | 467.5 | 470.0 | |
| B3 | 470.0 | 472.5 | |
| B4 | 472.5 | 475.0 | |
| B5 | 475.0 | 477.5 | |

Tolerance for each Dominate Wavelength bin is +/- 1nm

Typical Electrical / Optical Characteristics Curves

(25°C Ambient Temperature Unless Otherwise Noted)

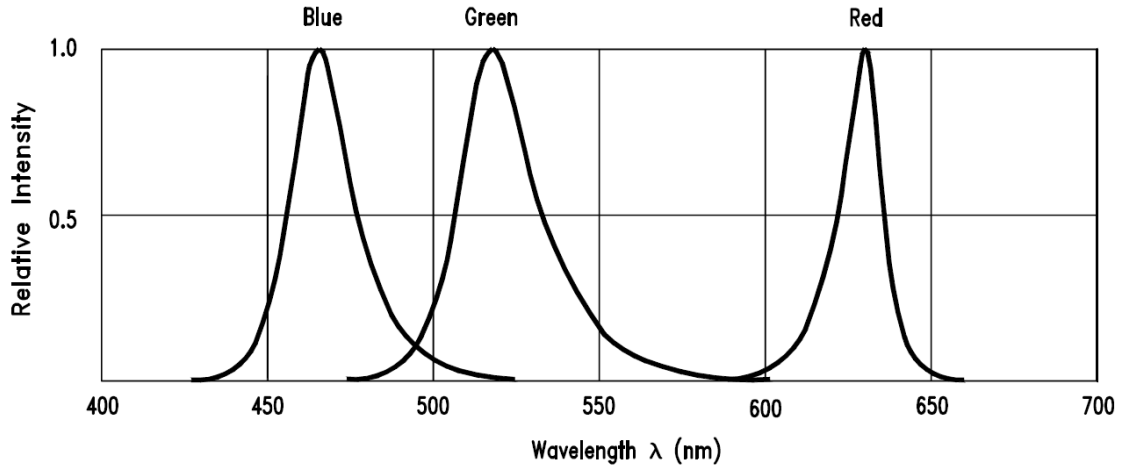


Fig.1 Relative Intensity vs. Wavelength

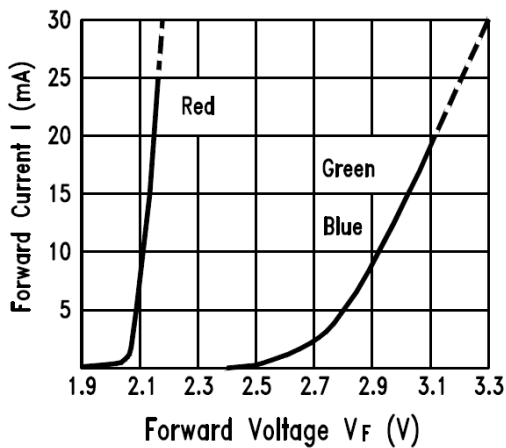


Fig.2 Forward Current vs. Forward Voltage

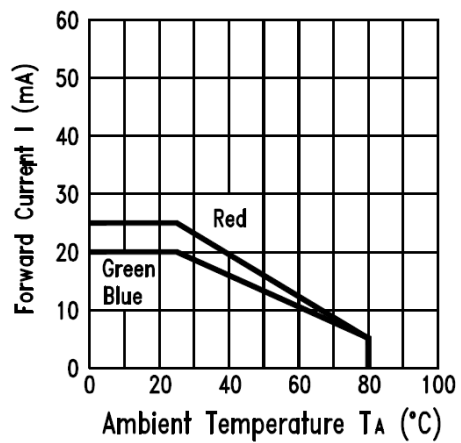


Fig.3 Forward Current Derating Curve

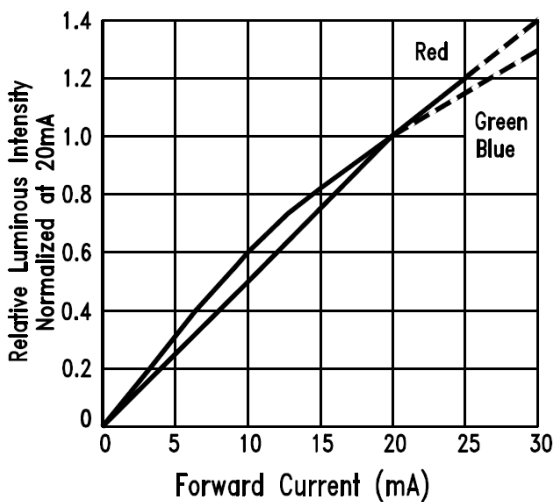


Fig.4 Relative Luminous Intensity vs. Forward Current

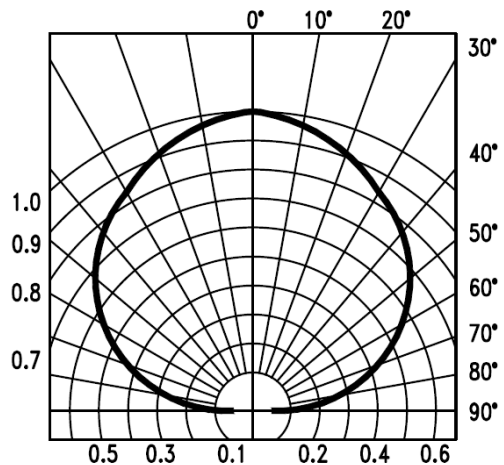
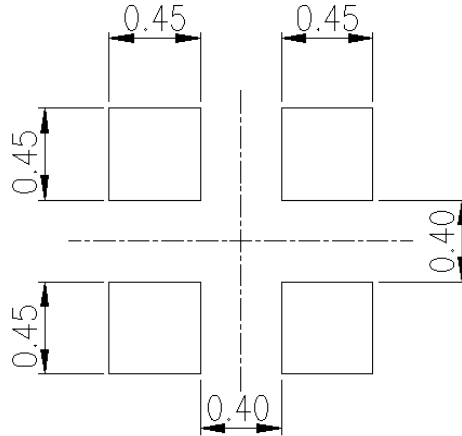


Fig.5 Spatial Distribution

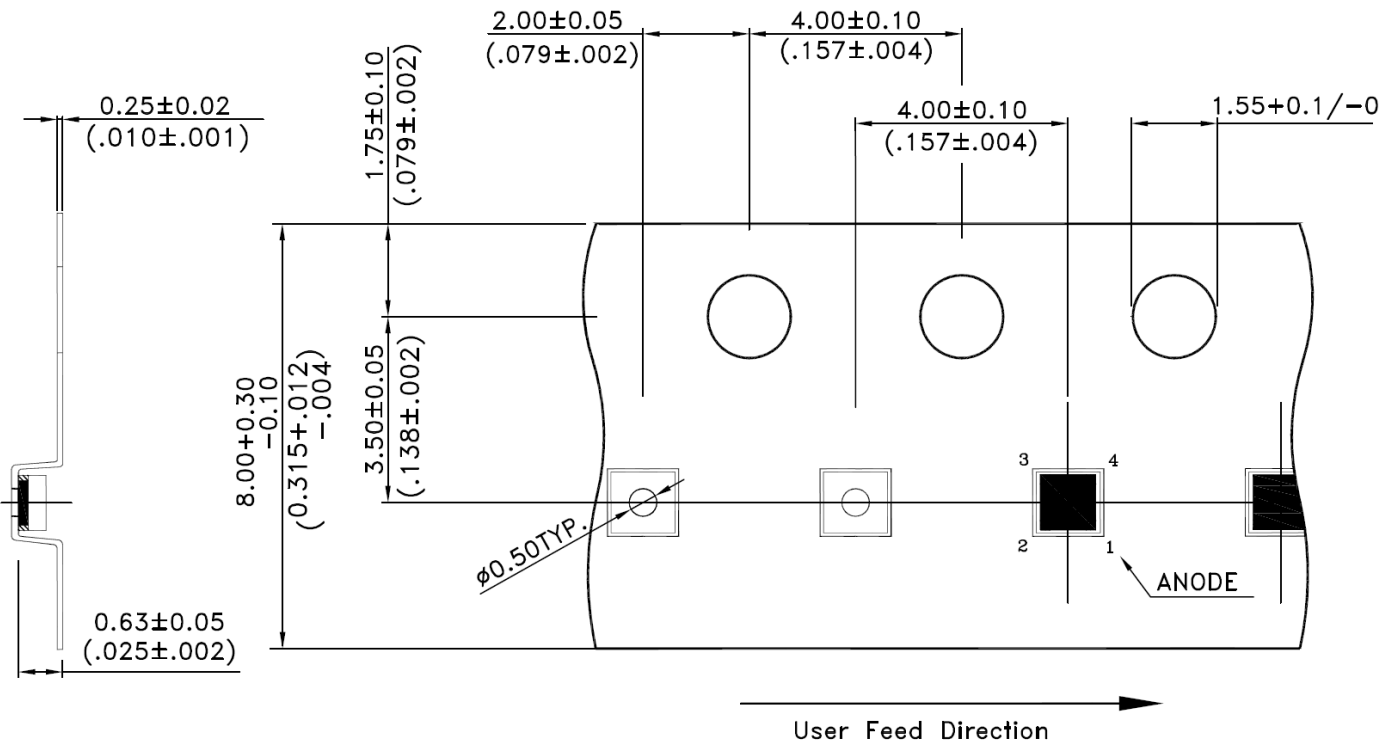
Cleaning

Do not use unspecified chemical liquid to clean LED they could harm the package.
 If clean is necessary, immerse the LED in ethyl alcohol or in isopropyl alcohol at normal temperature for less one minute.

Suggest Soldering Pad Dimensions

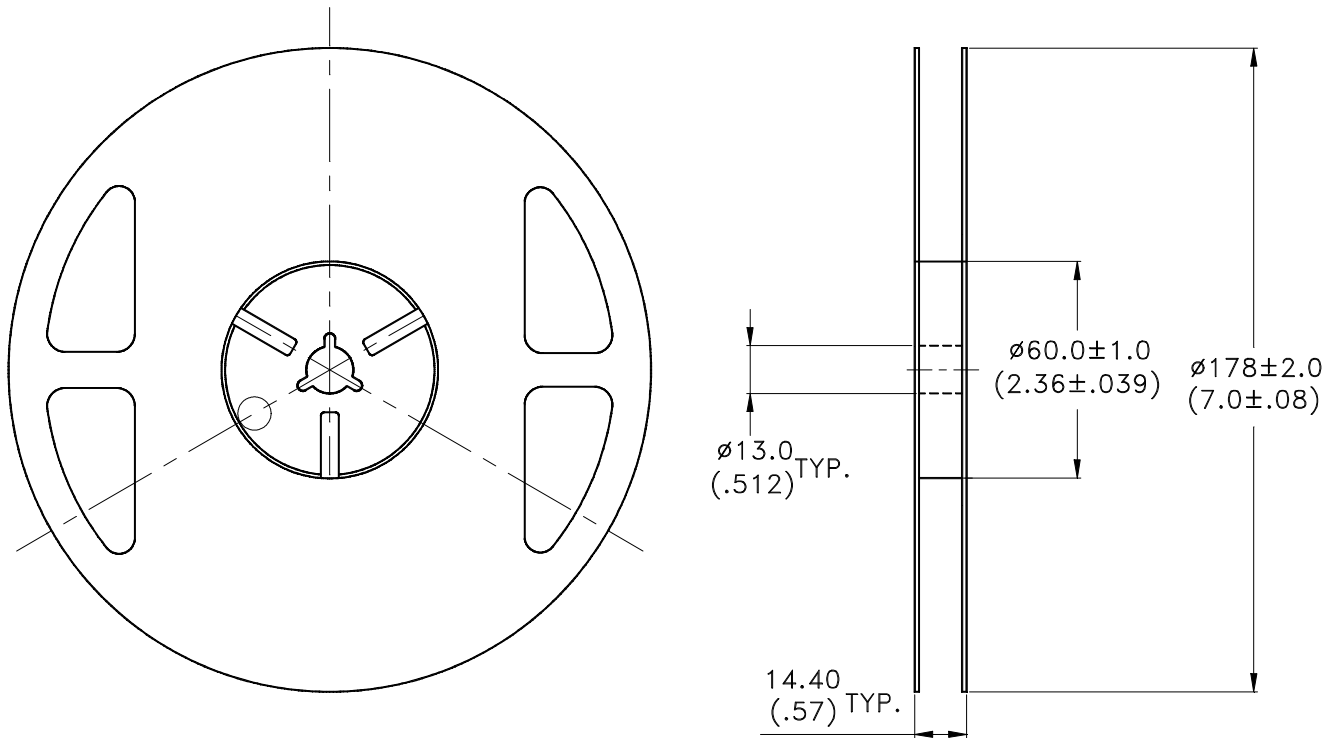


Package Dimensions Of Tape And Reel



Notes:

1. All dimensions are in millimeters (inches).



Notes:

1. Empty component pockets sealed with top cover tape.
2. 7 inch reel-4000 pieces per reel.
3. Minimum packing quantity is 500 pcs for remainders.
4. The maximum number of consecutive missing lamps is two.
5. In accordance with ANSI/EIA 481 specifications.

CAUTIONS

1. Application

The LEDs described here are intended to be used for ordinary electronic equipment (such as office equipment, communication equipment and household applications). Consult Liteon's Sales in advance for information on applications in which exceptional reliability is required, particularly when the failure or malfunction of the LEDs may directly jeopardize life or health (such as in aviation, transportation, traffic control equipment, medical and life support systems and safety devices).

2. Storage

The package is sealed:

The LEDs should be stored at 30°C or less and 90%RH or less. And the LEDs are limited to use within one year, while the LEDs is packed in moisture-proof package with the desiccants inside.

The package is opened:

The storage ambient for the LEDs should not exceed 30°C temperature or 60% relative humidity.

It is recommended that LEDs out of their original packaging are IR-reflowed within one week.

For extended storage out of their original packaging, it is recommended that the LEDs be stored in a sealed container with appropriate desiccant, or in a desiccators with nitrogen ambient.

LEDs stored out of their original packaging for more than one week should be baked at about 60 deg C for at least 20 hours before solder assembly.

3. Cleaning

Use alcohol-based cleaning solvents such as isopropyl alcohol to clean the LED if necessary.

4. Soldering

Recommended soldering conditions:

| Reflow soldering | | Soldering iron | |
|------------------|------------------------------|----------------|-----------------|
| Pre-heat | 150~200°C | Temperature | 300°C Max. |
| Pre-heat time | 120 sec. Max. | Soldering time | 3 sec. Max. |
| Peak temperature | 260°C Max. | | (one time only) |
| Soldering time | 10 sec. Max.(Max. two times) | | |

Soldering notes:

Because different board designs use different number and types of devices, solder pastes, reflow ovens, and circuit boards, no single temperature profile works for all possible combinations.

However, you can successfully mount your packages to the PCB by following the proper guidelines and PCB-specific characterization.

LITE-ON Runs both component-level verification using in-house **KYRAMX98** reflow chambers and board-level assembly.

The results of this testing are verified through post-reflow reliability testing.

Profiles used at LITE-ON are based on JEDEC standards to ensure that all packages can be successfully and reliably surface mounted.

Figure on page3 shows a sample temperature profile compliant to JEDEC standards.

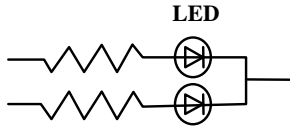
You can use this example as a generic target to set up your reflow process.

You should adhere to the JEDEC profile limits as well as specifications and recommendations from the solder paste manufacturer to avoid damaging the device and create a reliable solder joint.

5. Drive Method

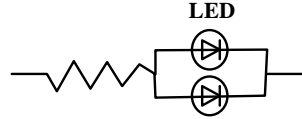
An LED is a current-operated device. In order to ensure intensity uniformity on multiple LEDs connected in parallel in an application, it is recommended that a current limiting resistor be incorporated in the drive circuit, in series with each LED as shown in Circuit A below.

Circuit model A



(A) Recommended circuit.

Circuit model B



(B) The brightness of each LED might appear different due to the differences in the I-V characteristics of those LEDs.

6. ESD (Electrostatic Discharge)

Static Electricity or power surge will damage the LED.

Suggestions to prevent ESD damage:

- Use of a conductive wrist band or anti-electrostatic glove when handling these LEDs.
- All devices, equipment, and machinery must be properly grounded.
- Work tables, storage racks, etc. should be properly grounded.
- Use ion blower to neutralize the static charge which might have built up on surface of the LED's plastic lens as a result of friction between LEDs during storage and handling.

ESD-damaged LEDs will exhibit abnormal characteristics such as high reverse leakage current, low forward voltage, or “ no lightup ” at low currents.

To verify for ESD damage, check for “ lightup ” and V_f of the suspect LEDs at low currents.

The V_f of “ good ” LEDs should be $>2.0V@0.1mA$ for InGaN product and $>1.4V@0.1mA$ for AlInGaP product.

Property of Lite-On Only

7. Reliability Test

| Classification | Test Item | Test Condition | Reference Standard |
|--------------------|--|--|---|
| Endurance Test | Operation Life | Ta= Under Room Temperature As Per Data Sheet Maximum Rating *Test Time= 1000HRS (-24HRS,+72HRS) | MIL-STD-750D:1026 MIL-STD-883D:1005 JIS C 7021:B-1 |
| | High Temperature High Humidity Storage | IR-Reflow In-Board, 2 Times Ta= 65±5°C ,RH= 90~95% *Test Time= 240HRS±2HRS | MIL-STD-202F:103B JIS C 7021:B-11 |
| | High Temperature Storage | Ta= 105±5°C *Test Time= 1000HRS (-24HRS,+72HRS) | MIL-STD-883D:1008 JIS C 7021:B-10 |
| | Low Temperature Storage | Ta= -55±5°C *Test Time=1000HRS (-24HRS,+72HRS) | JIS C 7021:B-12 |
| Environmental Test | Temperature Cycling | 105°C ~ 25°C ~ -55°C ~ 25°C 30mins 5mins 30mins 5mins 10 Cycles | MIL-STD-202F:107D MIL-STD-750D:1051 MIL-STD-883D:1010 JIS C 7021:A-4 |
| | Thermal Shock | IR-Reflow In-Board, 2 Times 85 ± 5°C ~ -40°C ± 5°C 10mins 10mins 10 Cycles | MIL-STD-202F:107D MIL-STD-750D:1051 MIL-STD-883D:1011 |
| | Solder Resistance | T.sol= 260 ± 5°C Dwell Time= 10 ± 1secs | MIL-STD-202F:210A MIL-STD-750D:2031 JIS C 7021:A-1 |
| | IR-Reflow Pb Free Process | Ramp-up rate(217°C to Peak) +3°C/ second max Temp. maintain at 175(±25)°C 180 seconds max Temp. maintain above 217°C 60-150 seconds Peak temperature range 260°C+0/-5°C Time within 5°C of actual Peak Temperature (tp) 10~30 seconds Ramp-down rate +6°C/second max | MIL-STD-750D:2031.2 J-STD-020D |
| Solderability | T.sol= 235 ± 5°C Immersion time 2±0.5 sec Immersion rate 25±2.5 mm/sec Coverage ≥ 95% of the dipped surface | MIL-STD-202F:208D MIL-STD-750D:2026 MIL-STD-883D:2003 IEC 68 Part 2-20 JIS C 7021:A-2 | |

8. Others

The appearance and specifications of the product may be modified for improvement without prior notice.

9. Suggested Checking List

Training and Certification

1. Everyone working in a static-safe area is ESD-certified?
2. Training records kept and re-certification dates monitored?

Static-Safe Workstation & Work Areas

1. Static-safe workstation or work-areas have ESD signs?
2. All surfaces and objects at all static-safe workstation and within 1 ft measure less than 100V?
3. All ionizer activated, positioned towards the units?
4. Each work surface mats grounding is good?

Personnel Grounding

1. Every person (including visitors) handling ESD sensitive (ESDS) items wears wrist strap, heel strap or conductive shoes with conductive flooring?
2. If conductive footwear used, conductive flooring also present where operator stand or walk?
3. Garments, hairs or anything closer than 1 ft to ESD items measure less than 100V*?
4. Every wrist strap or heel strap/conductive shoes checked daily and result recorded for all DLs?
5. All wrist strap or heel strap checkers calibration up to date?

Note: *50V for Blue LED.

Device Handling

1. Every ESDS items identified by EIA-471 labels on item or packaging?
2. All ESDS items completely inside properly closed static-shielding containers when not at static-safe workstation?
3. No static charge generators (e.g. plastics) inside shielding containers with ESDS items?
4. All flexible conductive and dissipative package materials inspected before reuse or recycles?

Others

1. Audit result reported to entity ESD control coordinator?
2. Corrective action from previous audits completed?
3. Are audit records complete and on file?