



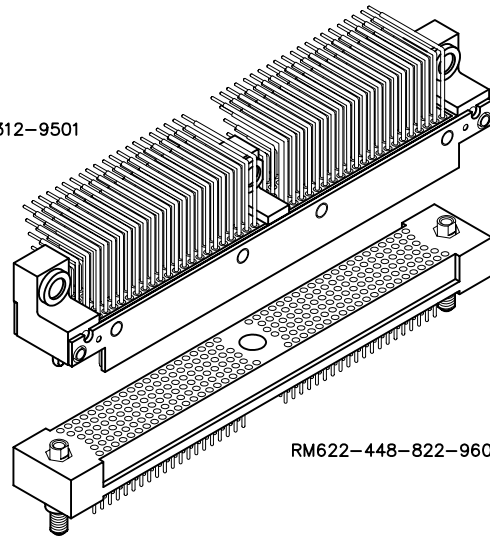
6 • ROW Daughterboard to Motherboard or Chassis

.075"

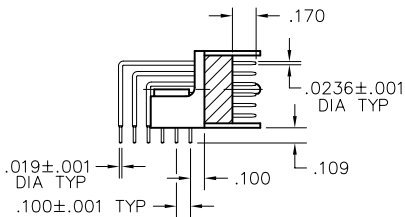
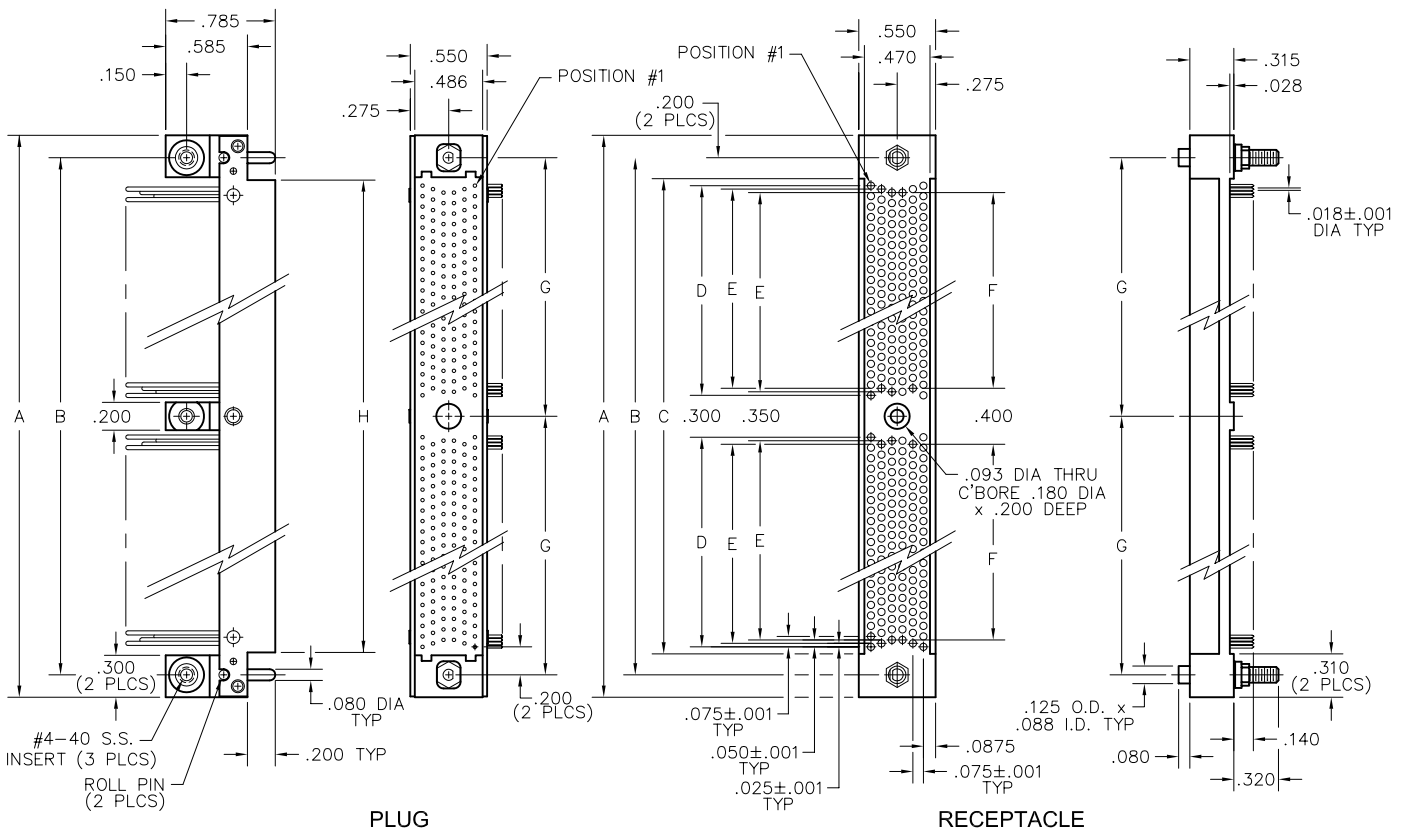
RM6

448 & 604 Contacts

RM652-448-312-9501



RM622-448-822-9601



| DIMENSIONS | | | | | | | | |
|------------|-------|-------|-------|-------|-------|-------|-------|-------|
| SIZE | A | B | C | D | E | F | G | H |
| 448 | 6.570 | 6.250 | 5.950 | 2.775 | 2.700 | 2.675 | 3.125 | 5.930 |
| 604 | 8.520 | 8.200 | 7.900 | 3.750 | 3.675 | 3.650 | 4.100 | 7.880 |