



# SINGLE & THREE PHASE HIGH CURRENT BRIDGES

400-2500 Volts

120-1000 Amps

CKE Number	Repetitive Peak Reverse Voltage $V_{RRM}$ Per Leg V (Volts)	Average Forward Current Max $I_{AVM}$ @ 50° A (Amps)	Maximum Forward Voltage Drop $V_f$ @ $I_f$ Per Leg V (Volts)	Maximum Reverse Current $I_r$ @ $V_{RRM}$ @ 25°C milliAmps	Maximum Surge Current $I_{FSM}$ (8.3ms) A (Amps)
<b>CB120 Series (Single Phase)</b>					<b>Figure 53</b>
CB120K2AA40	400	120	1.50	1.0	1200
CB120K2AA60	600	120	1.50	1.0	1200
CB120K2AA80	800	120	1.50	1.0	1200
CB120K2AA100	1000	120	1.50	1.0	1200
CB120K2AA120	1200	120	1.50	1.0	1200
<b>CB200 Series (Single Phase)</b>					<b>Figure 53</b>
CB200K2AA40	400	200	1.50	1.0	3000
CB200K2AA60	600	200	1.50	1.0	3000
CB200K2AA80	800	200	1.50	1.0	3000
CB200K2AA100	1000	200	1.50	1.0	3000
CB200K2AA120	1200	200	1.50	1.0	3000
<b>CB250 Series (Single Phase)</b>					<b>Figure 55</b>
CB250K4AA40	400	250	1.50	1.0	3600
CB250K4AA60	600	250	1.50	1.0	3600
CB250K4AA80	800	250	1.50	1.0	3600
CB250K4AA100	1000	250	1.50	1.0	3600
CB250K4AA120	1200	250	1.50	1.0	3600
CB250K4AA160	1600	250	1.50	1.0	3600
CB250K4AA200	2000	250	1.50	1.0	3600
<b>CB300 Series (Single Phase)</b>					<b>Figure 55</b>
CB300K4AA40	400	300	1.50	1.0	6850
CB300K4AA60	600	300	1.50	1.0	6850
CB300K4AA80	800	300	1.50	1.0	6850
CB300K4AA100	1000	300	1.50	1.0	6850
CB300K4AA120	1200	300	1.50	1.0	6850
CB300K4AA160	1600	300	1.50	1.0	6850
<b>CT50 Series (Three Phase)</b>					<b>Figure 57</b>
CT50G2AA40	400	50	1.50	1.0	500
CT50G2AA60	600	50	1.50	1.0	500
CT50G2AA80	800	50	1.50	1.0	500
CT50G2AA100	1000	50	1.50	1.0	500
CT50G2AA120	1200	50	1.50	1.0	500
<b>CT400 Series (Three Phase)</b>					<b>Figure 54</b>
CT400K6AA40	400	400	1.50	1.0	3600
CT400K6AA60	600	400	1.50	1.0	3600
CT400K6AA80	800	400	1.50	1.0	3600
CT400K6AA100	1000	400	1.50	1.0	3600
CT400K6AA120	1200	400	1.50	1.0	3600
CT400K6AA160	1600	400	1.50	1.0	3600
CT400K6AA200	2000	400	1.50	1.0	3600
CT400K6AA250	2500	400	1.50	1.0	3600
<b>CT500 Series (Three Phase)</b>					<b>Figure 54</b>
CT500K6AA40	400	500	1.50	1.0	6850
CT500K6AA60	600	500	1.50	1.0	6850
CT500K6AA80	800	500	1.50	1.0	6850
CT500K6AA100	1000	500	1.50	1.0	6850
CT500K6AA120	1200	500	1.50	1.0	6850
CT500K6AA160	1600	500	1.50	1.0	6850
<b>CT700 Series (Three Phase)</b>					<b>Figure 56</b>
CT700U6AA40	400	700	1.50	1.0	6850
CT700U6AA60	600	700	1.50	1.0	6850
CT700U6AA80	800	700	1.50	1.0	6850
CT700U6AA100	1000	700	1.50	1.0	6850
CT700U6AA120	1200	700	1.50	1.0	6850
CT700U6AA160	1600	700	1.50	1.0	6850
<b>CT1000 Series (Three Phase)</b>					<b>Figure 58</b>
CT1000V6AA40	400	1000	1.50	1.0	10960
CT1000V6AA60	600	1000	1.50	1.0	10960
CT1000V6AA80	800	1000	1.50	1.0	10960
CT1000V6AA100	1000	1000	1.50	1.0	10960
CT1000V6AA120	1200	1000	1.50	1.0	10960
CT1000V6AA160	1600	1000	1.50	1.0	10960

Figure 53

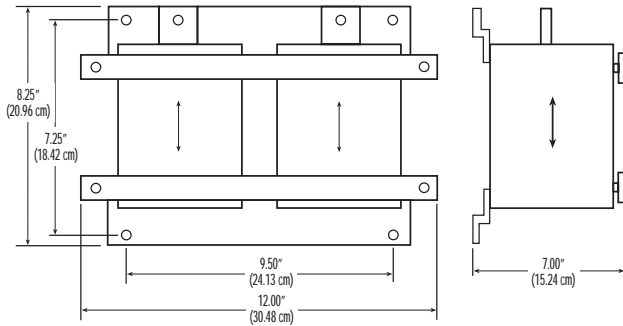


Figure 54

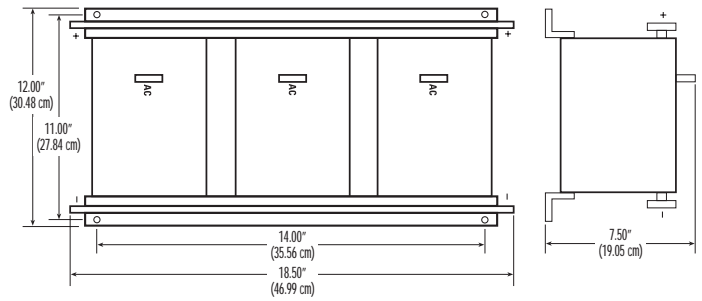


Figure 55

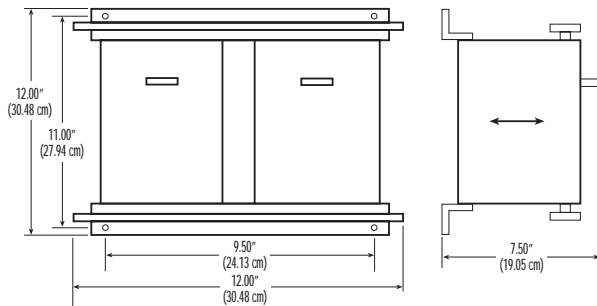


Figure 56

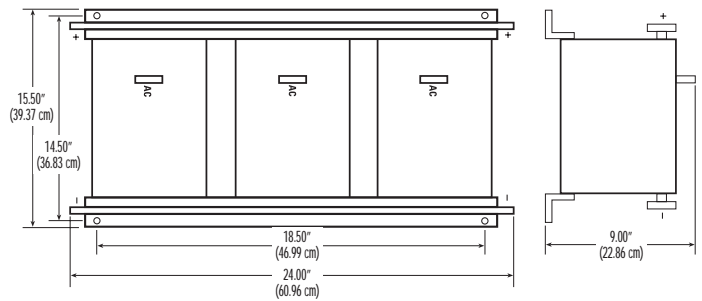


Figure 57

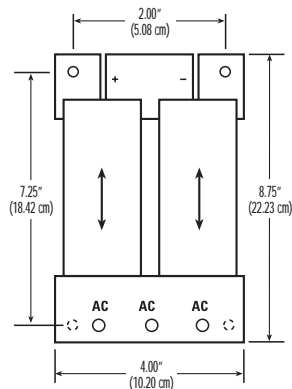


Figure 58

