



**BZT52B4V3S
 THRU
 BZT52B39S**

**200 mW
 Zener Diode
 4.3 to 39 Volts**

Features

- Planar Die Construction
- 200mW Power Dissipation on Ceramic PCB
- General Purpose Medium Current
- Ideally Suited for Automated Assembly Processes
- Epoxy meets UL 94 V-0 flammability rating
- Moisture Sensitivity Level 1
- Lead Free Finish/RoHS Compliant("P" Suffix designates RoHS Compliant. See ordering information)

Absolute Maximum Ratings

Symbol	Parameter	Rating	Unit
P _D	Power dissipation	200	mW
T _J	Junction Temperature	-65 to +175	°C
T _{STG}	Storage Temperature Range	-65 to +175	°C

Absolute Maximum Ratings

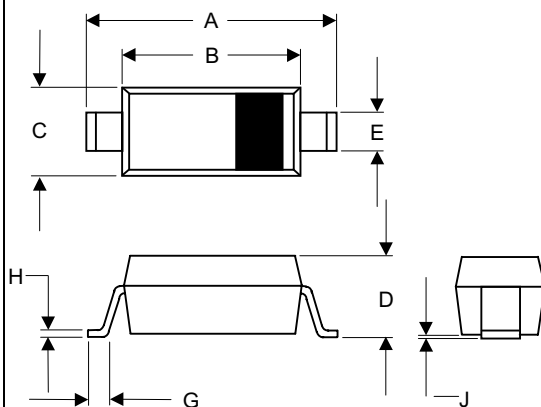
Symbol	Parameter	Rating	Unit
R _{thJA}	Thermal Resistance Junction to Ambient*	305	°C/W

* Device mounted on ceramic PCB: 7.6mm x 9.4mm x 0.87mm with pad areas 25 mm²

Electrical Characteristics

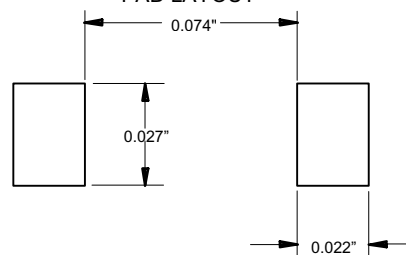
Symbol	Parameter	Rating	Unit
V _F	Maximum Forward Voltage (I _F =10mAdc)	0.9	V

SOD-323



DIM	DIMENSIONS				NOTE
	INCHES		MM		
	MIN	MAX	MIN	MAX	
A	.090	.107	2.30	2.70	
B	.063	.071	1.60	1.80	
C	.045	.053	1.15	1.35	
D	.031	.045	0.80	1.15	
E	.010	.016	0.25	0.40	
G	.004	.018	0.10	0.45	
H	.004	.010	0.10	0.25	
J	-----	.006	-----	0.15	

SUGGESTED SOLDER PAD LAYOUT



Electrical Characteristics@25°C

Type	ZENER VOLTAGE $V_Z^{(1)}$ VOLTS			Maximum Zener Impedance ⁽²⁾ Z_{ZT} (OHMS)		Maximum Zener Impedance ⁽²⁾ Z_{ZK} (OHMS)		REVERSE CURRENT $I_R(\text{Max})@V_R$		Typical Temperature Coefficient @ I_{ZTC}		Marking
	Min.	Nom.	Max.	I_{ZT} (mA)	Max.	I_{ZK} (mA)	Max.	uA	V	mV/°C		
BZT52B4V3S	4.21	4.3	4.39	5	90	1	600	3	1	-3.5	0	W7
BZT52B4V7S	4.61	4.7	4.79	5	80	1	500	3	2	-3.5	0.2	W8
BZT52B5V1S	5.0	5.1	5.2	5	60	1	480	2	2	-2.7	1.2	W9
BZT52B5V6S	5.49	5.6	5.71	5	40	1	400	1	2	-2	2.5	WA
BZT52B6V2S	6.08	6.2	6.32	5	10	1	150	3	4	0.4	3.7	WB
BZT52B6V8S	6.66	6.8	6.94	5	15	1	80	2	4	1.2	4.5	WC
BZT52B7V5S	7.35	7.5	7.65	5	15	1	80	1	5	2.5	5.3	WD
BZT52B8V2S	8.04	8.2	8.36	5	15	1	80	0.7	5	3.2	6.2	WE
BZT52B9V1S	8.92	9.1	9.28	5	15	1	100	0.5	6	3.8	7	WF
BZT52B10S	9.8	10	10.2	5	20	1	150	0.2	7	4.5	8	WG
BZT52B11S	10.78	11	11.22	5	20	1	150	0.1	8	5.4	9	WH
BZT52B12S	11.76	12	12.24	5	25	1	150	0.1	8	6	10	WI
BZT52B13S	12.74	13	13.3	5	30	1	170	0.1	8	7	11	WK
BZT52B15S	14.7	15	15.3	5	30	1	200	0.1	10.5	9.2	13	WL
BZT52B16S	15.68	16	16.3	5	40	1	200	0.1	11.2	10.4	14	WM
BZT52B18S	17.6	18	18.4	5	45	1	225	0.1	12.6	12.4	16	WN
BZT52B20S	19.6	20	20.4	5	55	1	225	0.1	14	14.4	18	WO
BZT52B22S	21.56	22	22.44	5	55	1	250	0.1	15.4	16.4	20	WP
BZT52B24S	23.52	24	24.5	5	70	1	250	0.1	16.8	18.4	22	WR
BZT52B27S	26.46	27	27.54	2	80	0.5	300	0.1	18.9	21.4	25.3	WS
BZT52B30S	29.4	30	30.6	2	80	0.5	300	0.1	21	24.4	29.4	WT
BZT52B33S	32.34	33	33.7	2	80	0.5	325	0.1	23.1	27.4	33.4	WU
BZT52B36S	35.28	36	36.72	2	90	0.5	350	0.1	25.2	30.4	37.4	WW
BZT52B39S	38.22	39	39.8	2	130	0.5	350	0.1	27.3	33.4	41.2	WX

(1) Device mounted on ceramic PCB: 7.6mm x 9.4mm x 0.87mm with pad areas 25 mm²

(2) f=1KHz



Micro Commercial Components

Ordering Information :

Device	Packing
Part Number-TP	Tape&Reel: 3Kpcs/Reel

*****IMPORTANT NOTICE*****

Micro Commercial Components Corp. reserves the right to make changes without further notice to any product herein to make corrections, modifications , enhancements , improvements , or other changes . **Micro Commercial Components Corp .** does not assume any liability arising out of the application or use of any product described herein; neither does it convey any license under its patent rights ,nor the rights of others . The user of products in such applications shall assume all risks of such use and will agree to hold **Micro Commercial Components Corp .** and all the companies whose products are represented on our website, harmless against all damages.

*****LIFE SUPPORT*****

MCC's products are not authorized for use as critical components in life support devices or systems without the express written approval of Micro Commercial Components Corporation.

*****CUSTOMER AWARENESS*****

Counterfeiting of semiconductor parts is a growing problem in the industry. Micro Commercial Components (MCC) is taking strong measures to protect ourselves and our customers from the proliferation of counterfeit parts. MCC strongly encourages customers to purchase MCC parts either directly from MCC or from Authorized MCC Distributors who are listed by country on our web page cited below. Products customers buy either from MCC directly or from Authorized MCC Distributors are genuine parts, have full traceability, meet MCC's quality standards for handling and storage. **MCC will not provide any warranty coverage or other assistance for parts bought from Unauthorized Sources.** MCC is committed to combat this global problem and encourage our customers to do their part in stopping this practice by buying direct or from authorized distributors.