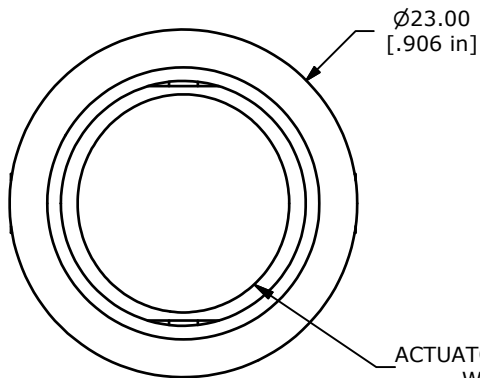
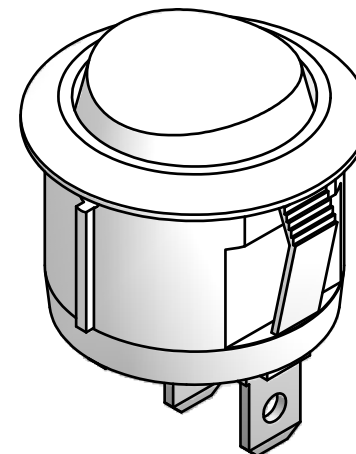


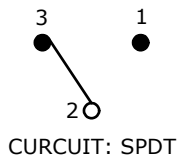
▲ SWITCH FUNCTION		
POS. 1	POS. 2	POS. 3
ON	OFF	ON
2-3	OPEN	2-1



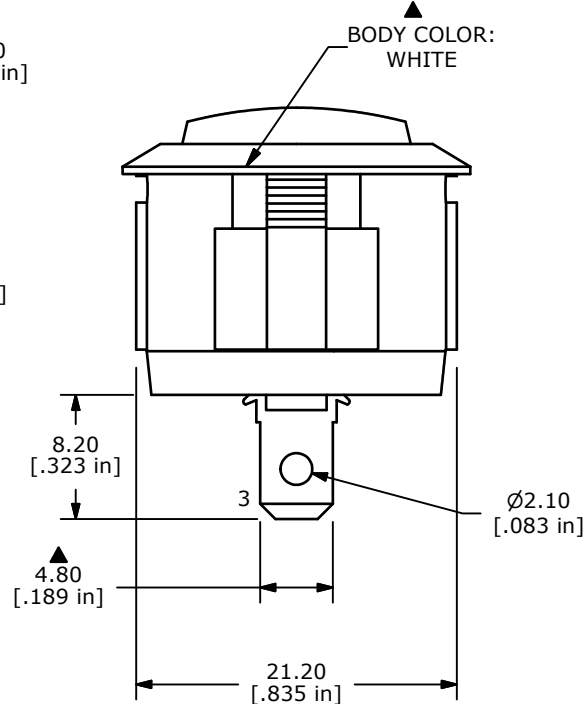
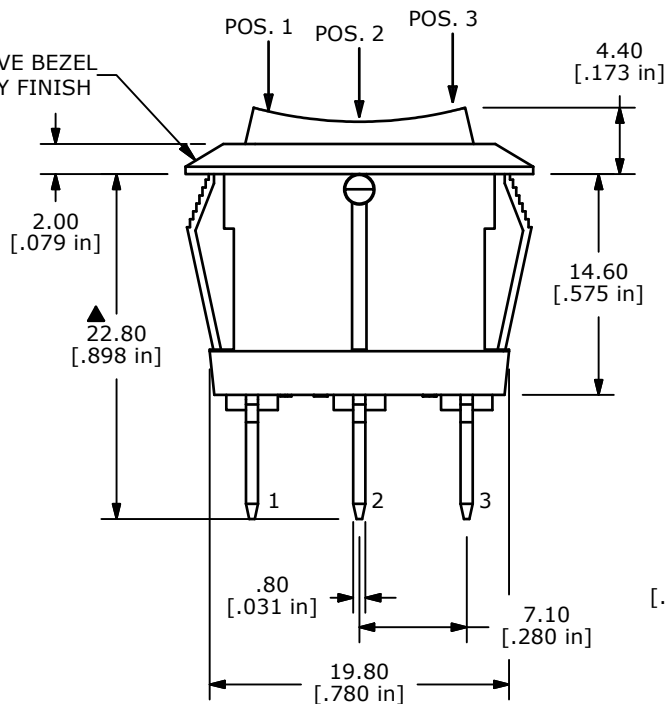
ACTUATOR COLOR:
WHITE



BODY COLOR:
WHITE



▲ SURFACES ABOVE BEZEL
HAVE A GLOSSY FINISH



NOTE:

1. DIMENSIONS IN MM [INCH]
2. GENERAL TOLERANCE: X.X = ± 0.4
X.XX = ± 0.25
3. TERMINAL NUMBERS FOR REF ONLY
4. CONTACT MATERIAL: SILVER
5. CONTACT RATINGS: 10A @ 125VAC [UR, cUR]
10A @ 125V~ [NOM]
6A @ 250V~ [NOM]
6(2)A @ 250V~ [ENEC14, SEMKO]
6. CONTACT RESISTANCE: 35mΩ MAX. @ 50VAC
7. INSULATION RESISTANCE: 1000MΩ MIN. @ 500VAC
8. DIELECTRIC STRENGTH: 1,500VAC FOR 1 MINUTE
9. ELECTRICAL LIFE: 6,000 CYCLES [UR, cUR, NOM]
10,000 CYCLES [ENEC14, SEMKO]
10. OPERATING TEMPERATURE: -20°C TO 105°C [UR, cUR, NOM]
-20°C TO 125°C [ENEC14, SEMKO]
11. ▲ DENOTES CRITICAL PARAMETER
12. 2002/95/EC (ROHS) COMPLIANT



TITLE RRG38532200

A	20104	RELEASE FOR PRODUCTION	8/18/11	BGL
REV	PCR NO	DESCRIPTION	DATE	BY

SCALE	DATE	DR	DWG	REV
2:1	8/18/2011	BGL	38-RRG38532200	A

THE INFORMATION CONTAINED IN THIS DOCUMENT IS PROPRIETARY TO E-SWITCH AND IS NOT TO BE COPIED OR TRANSFERRED