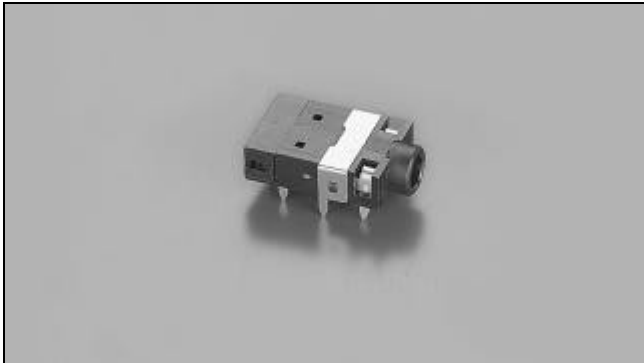


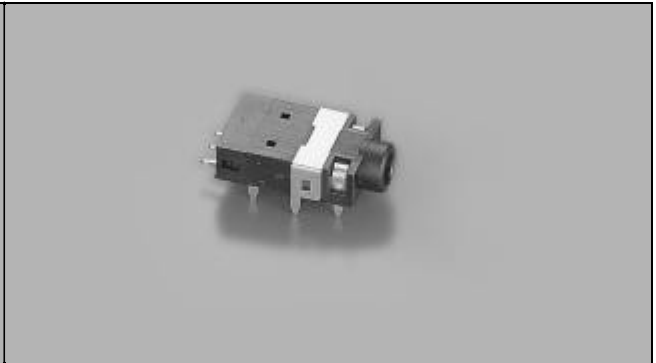
TOSLINK PLUG TYPE



TOSLINK OVER S-VIDEO



MINI JACK - DIP



MINI JACK - S.M.T

MATERIALS/FINISHES

INSULATOR

THERMOPLASTIC (UL 94V-0)

CONTACT

COPPER ALLOY

CONTACT AREA:

80~120u" TIN OVER Ni (50u" MIN.)

SHELL

PHOSPHOR BRONZE

TIN PLATING

SPECIFICATION

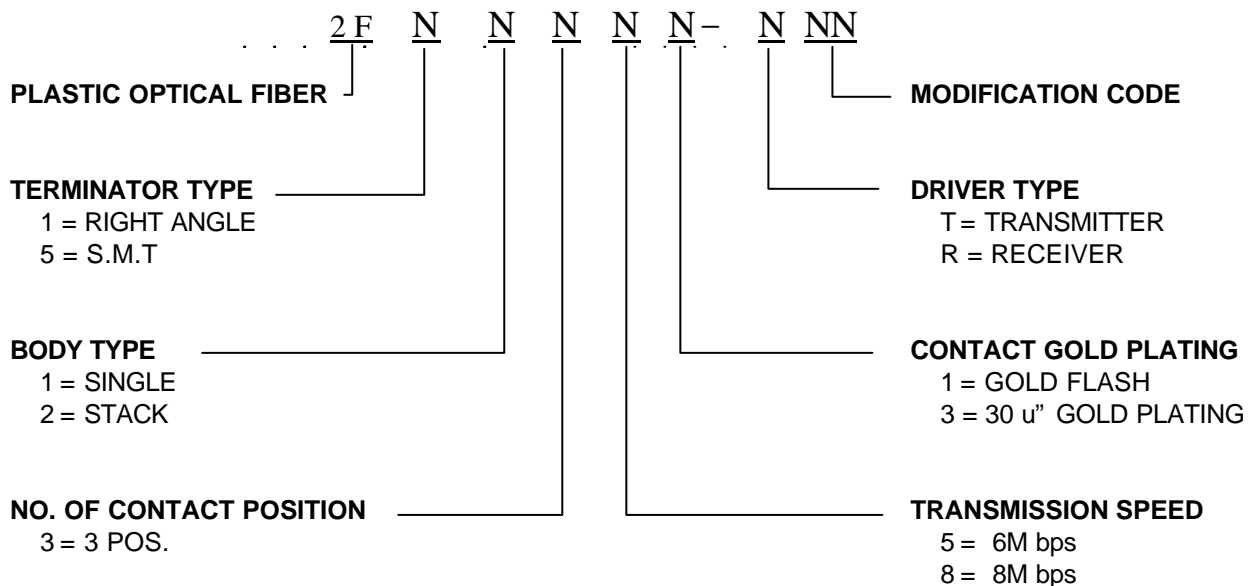
ELECTRICAL CHARACTERISTICS :

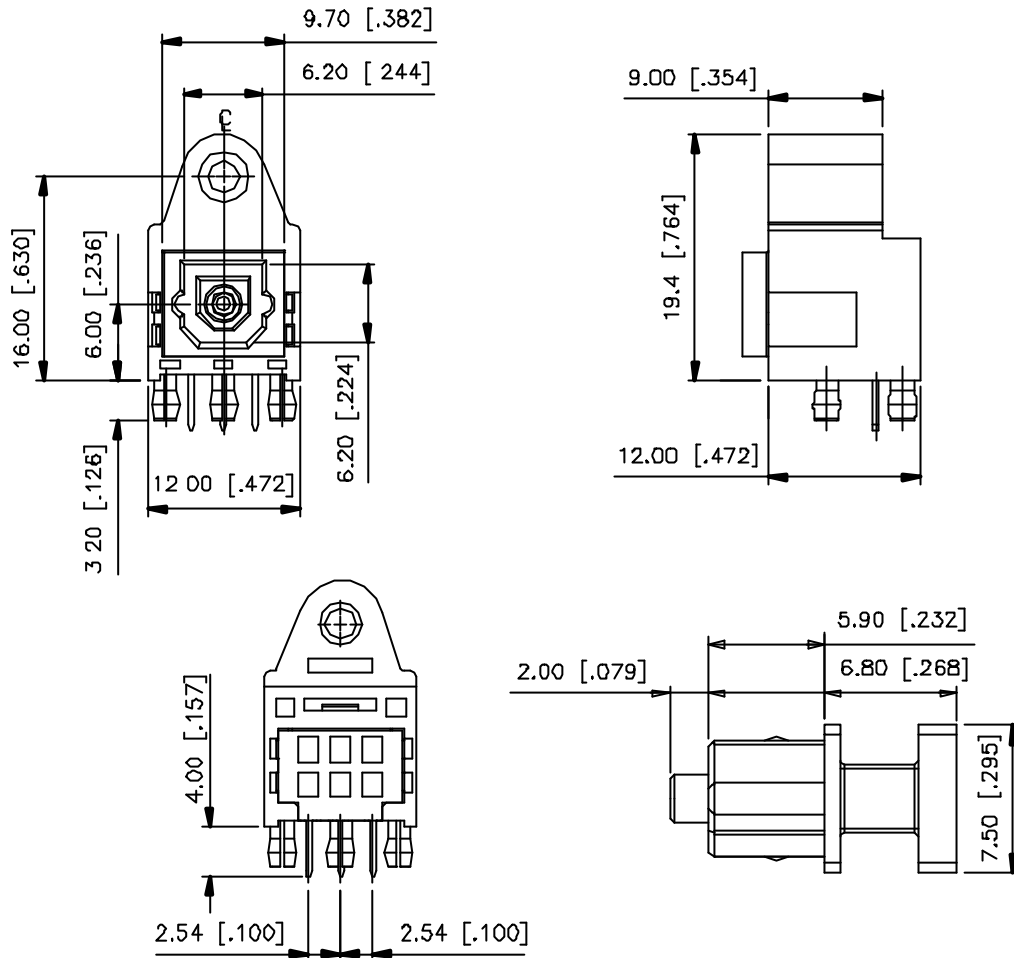
- * LOW LEVEL CONTACT RESISTANCE : 30 m MAX.
- * DIELECTRIC WITHSTANDING VOLTAGE : 750VAC RMS.
- * INSULATION RESISTANCE : 1000 M MIN.
- * CONTACT CURRENT RATING : 100V AC 1 A MAX.
12V DC 2 A MAX.

MECHANICAL CHARACTERISTICS :

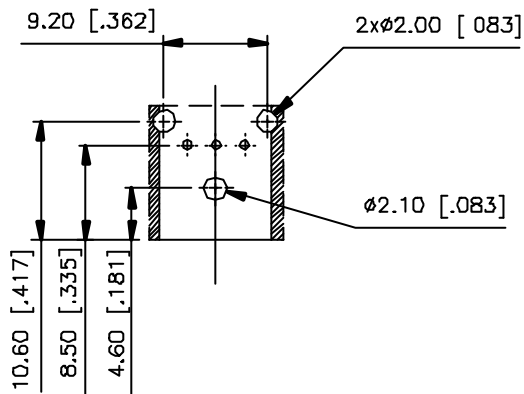
- * CONNECTOR INSERTION FORCE : 4.5 kg MAX.
- * CONNECTOR EXTRACTION FORCE : 0.9 kgf ~2.7kgf
- * DURABILITY : 5000 CYCLES
- * OPERATING TEMPERATURE : -20 TO +70

ORDER INFORMATION

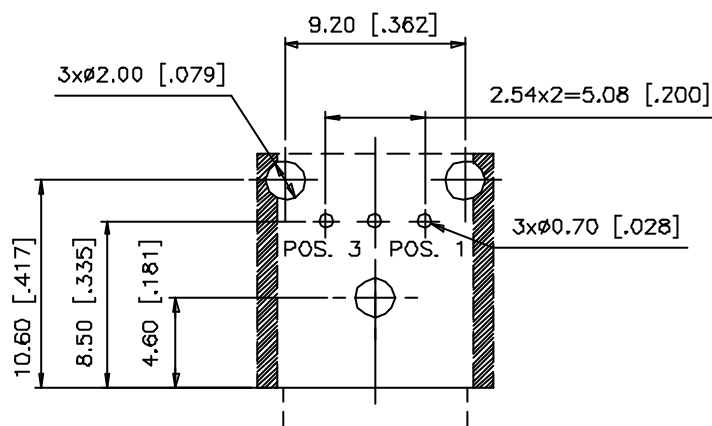
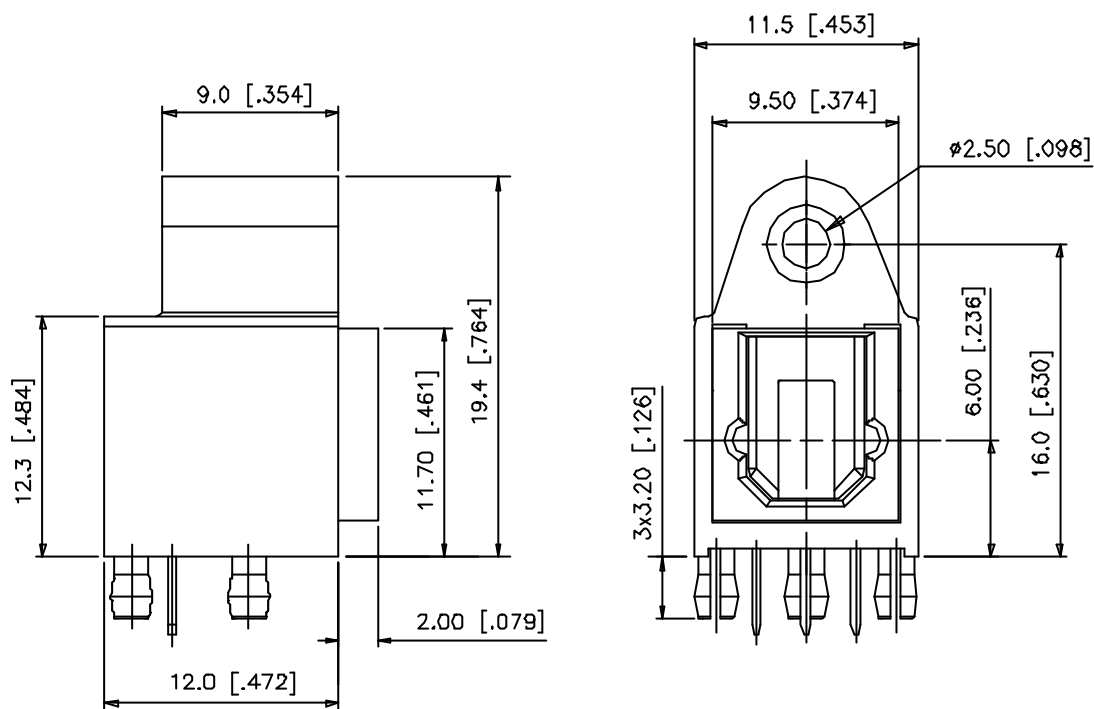




RECOMMENDED P.C.B LAYOUT
(TOP VIEW)

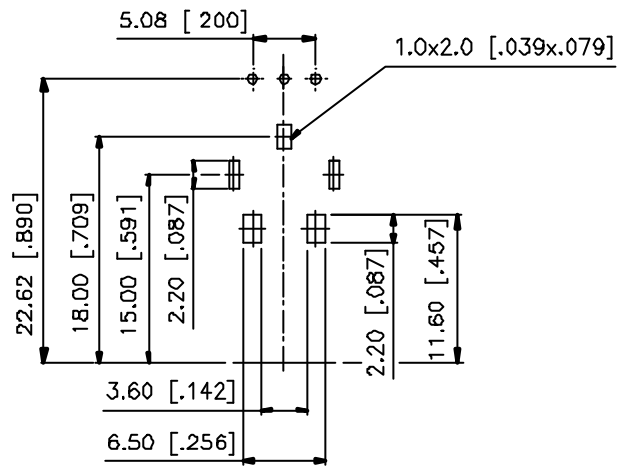
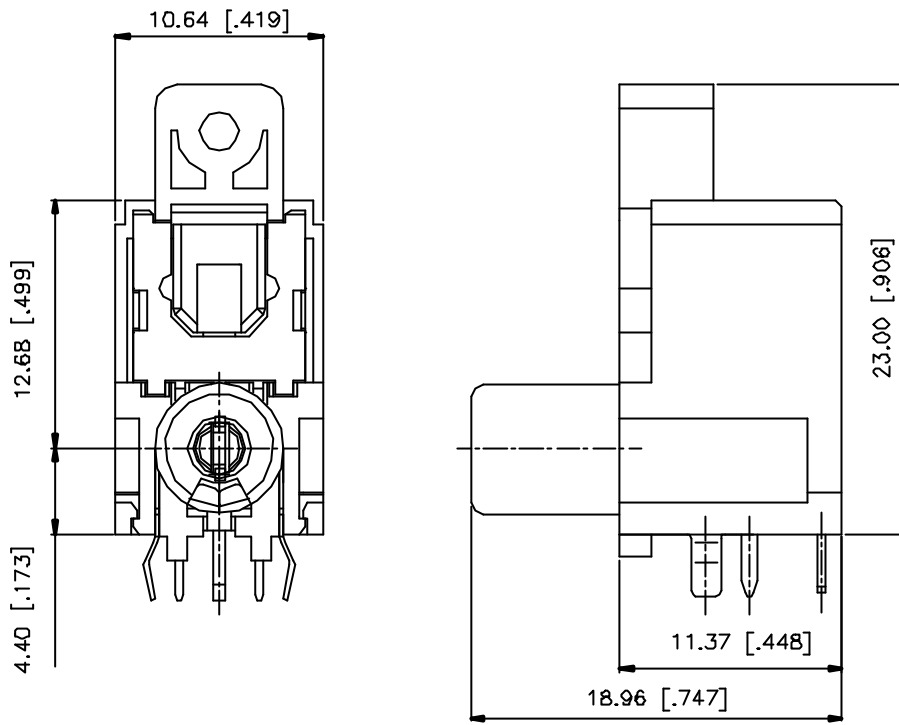


2F1138*-TN1	3 POS.
PROD. NO.	NO. OF POS.



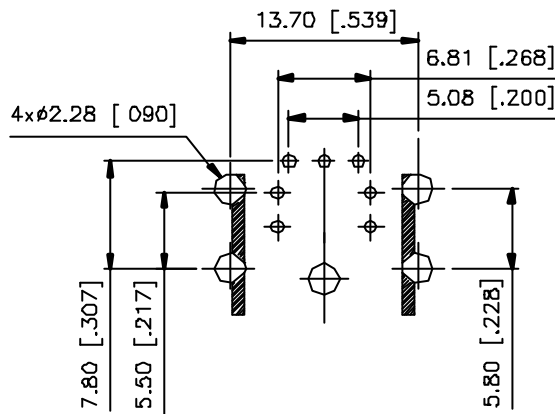
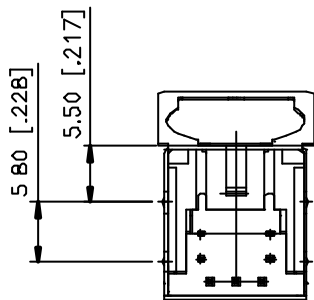
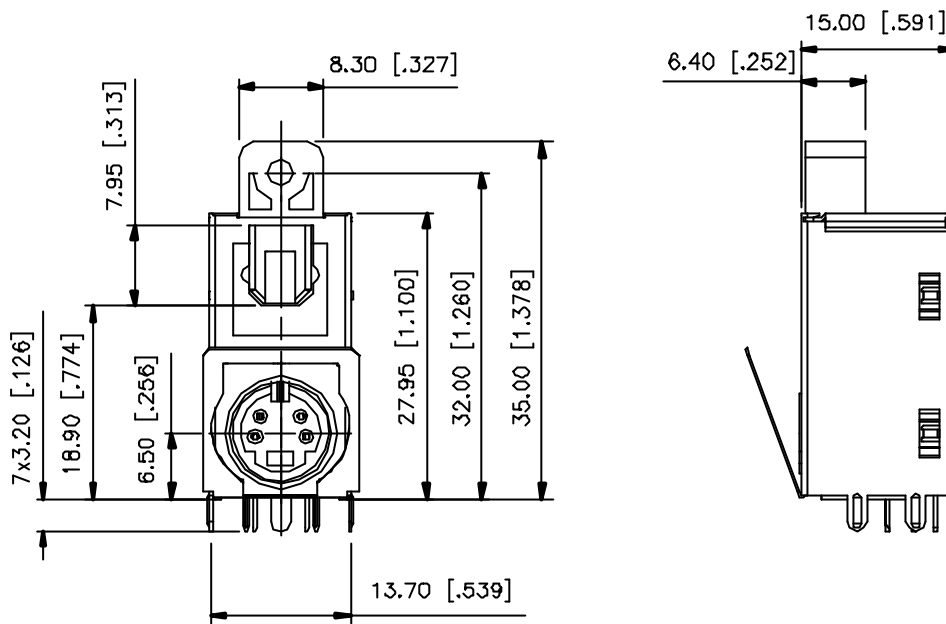
RECOMMENDED P.C.B LAYOUT
(TOP VIEW)

2F1135*-TM2	3 POS.
PROD. NO.	NO. OF POS.



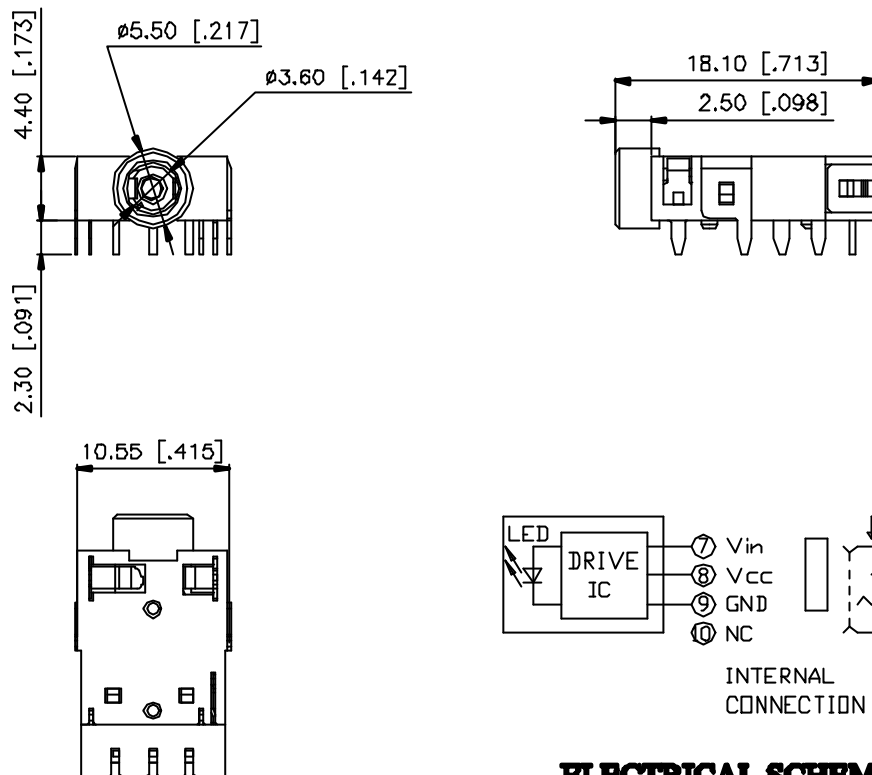
RECOMMENDED P.C.B LAYOUT
(TOP VIEW)

2F1235*-TM3	3 POS. / 1 POS.
PROD. NO.	NO. OF POS.

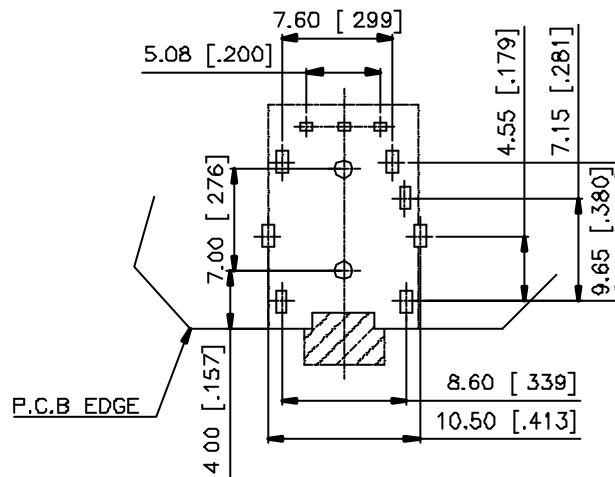


RECOMMENDED P.C.B LAYOUT
(TOP VIEW)

2F1235*-TM1	3 POS./4 POS.
PROD. NO.	NO. OF POS.

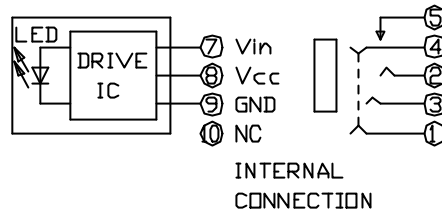
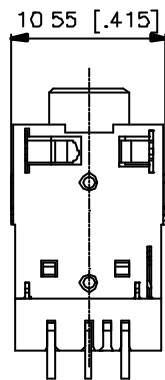
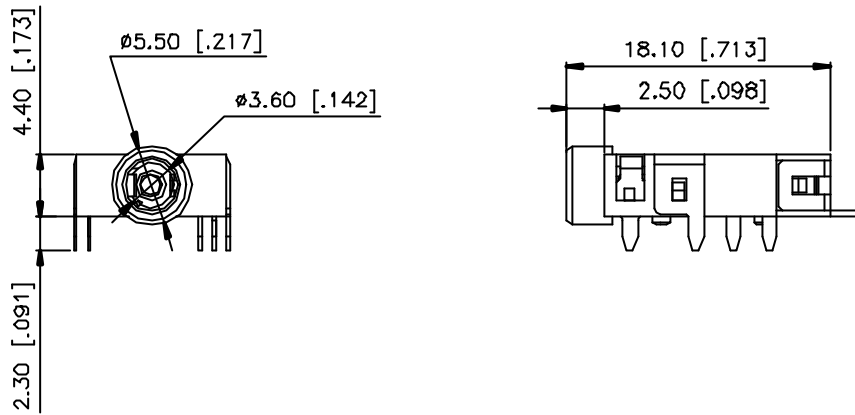


ELECTRICAL SCHEMATIC

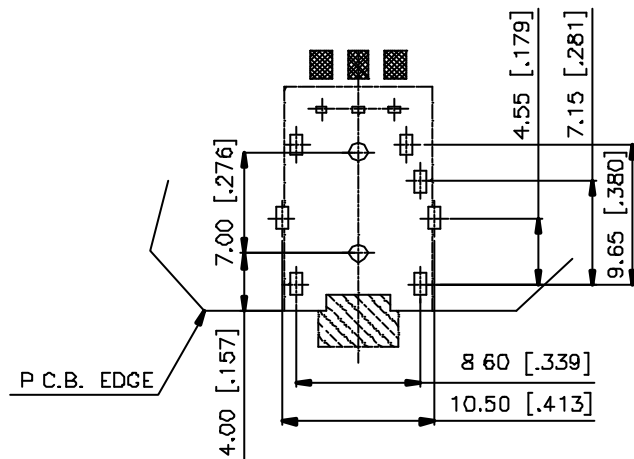


RECOMMENDED P.C.B LAYOUT
(TOP VIEW)

PROD. NO.	2F1138*-TJ1
------------------	--------------------



ELECTRICAL SCHEMATIC



RECOMMENDED P.C.B LAYOUT
(TOP VIEW)

PROD. NO.	2F5138[®]-TJ1
------------------	-------------------------------