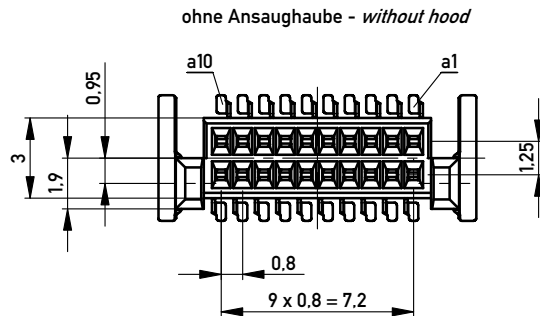
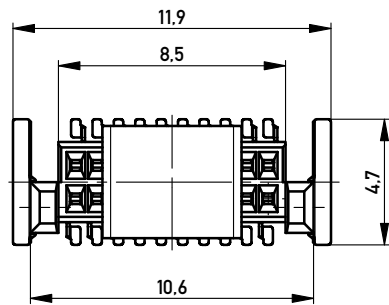
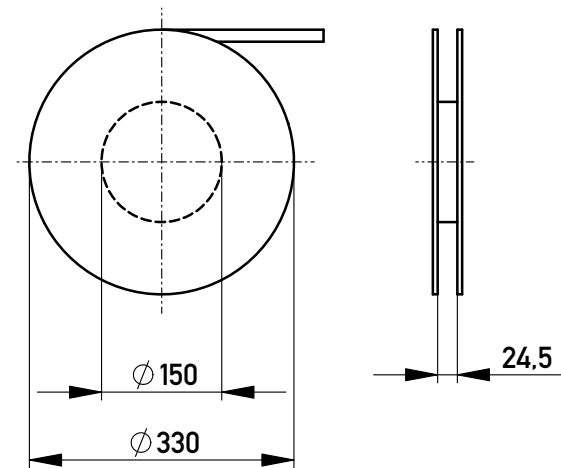
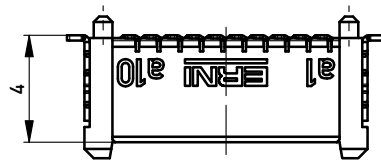


Verpackt in Gurtverpackung - *Tape on Reel Packaging*
 Verpackungseinheit: 840 Stück - *Packaging unit: 840 pcs*



Abspulrichtung - *Reel off Direction* →

ohne Ansaughaube - *without hood*

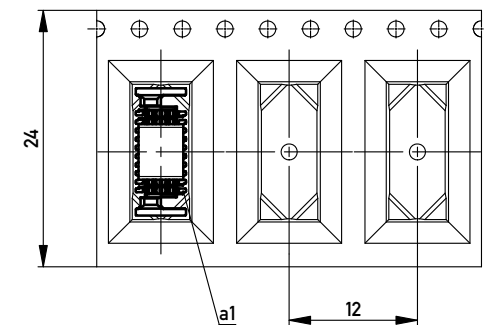


Anforderungsstufe 2
Performance Level 2

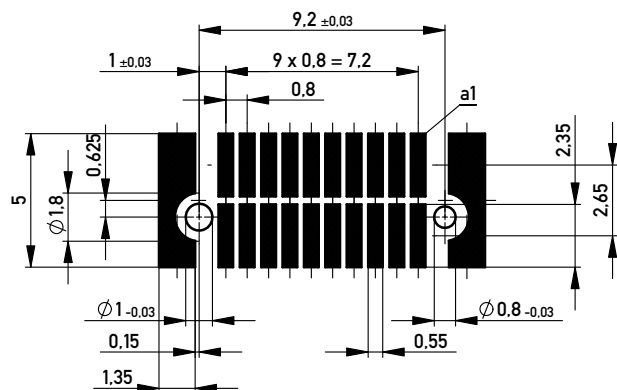
Kontaktbereich vergoldet
Mating Area gold plating

Anschlussbereich verzinkt 4-6 µm
Terminal Area 4-6 µm tin plating

Koplanarität der Anschlüsse ≤ 0,1 mm
Coplanarity Area of Termination ≤ 0,1 mm



Leiterplatten-Layout Vorschlag für SMT
PCB-Layout Proposal for SMT



Copyright by ERNI GmbH
 Proprietary notice pursuant to ISO 14016 to be observed.

Information:		Tolerances	Scale 5:1
		All Dimensions in mm	
All rights reserved. Only for Information. To ensure that this is the latest version of this drawing, please contact one of the ERNI companies before using.		Subject to modification without prior notice. Drawing will not be updated.	Designation 0,8 DRC-B, F 4mm, 20 polig 0,8 DRC-B, F 4mm, 20 pin
		www.ERNI.com	294002
Index	Date	Class	DRCB
			I A3