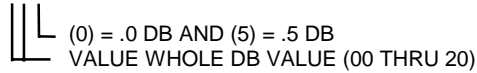


TITLE: SPECIFICATION CONTROL DRAWING

PART IDENTIFIER: TT3XXX



DESCRIPTION: CHIP ATTENUATOR

ASSEMBLY DWG: 1900014

1.0 SPECIFICATIONS:

1.1 ELECTRICAL:

- 1.1.1 IMPEDANCE: 50 OHMS NOMINAL.
- 1.1.2 FREQUENCY RANGE: DC-12.4 GHZ.
- 1.1.3 ATTENUATION VALUES AVAILABLE: 0-20DB IN 0.5DB INCREMENTS.
- 1.1.4 ATTENUATION ACCURACY: SEE TABLE.

ATTENUATION ACCURACY			
DB	DC - 4 GHZ	4 - 8 GHZ	8 - 12.4 GHZ
0	-0, +0.3	-0, +0.5	-0, +0.5
1 - 3.5	±0.3	±0.5	±0.5
4 - 6.5	±0.4	±0.5	±0.5
7 - 10.5	±0.5	±0.5	±0.75
11 - 15.5	±0.75	+0.5,-3.0	+0.5,-3.5
16 - 20	±1.0	+0.5,-4.0	+1.0,-6.0

- 1.1.5 VSWR: 1.30 MAX.
- 1.1.6 INPUT POWER: 2 WATTS CW.
 - 1.1.6.1 FULL RATED POWER TO 125°C, DERATED LINEARLY TO 0 WATTS AT 150°C.
 - 1.1.6.2 PEAK POWER, 50 WATTS FOR 10US PULSE WIDTH @ 1% DUTY CYCLE.

1.2 MECHANICAL:

- 1.2.1 OUTLINE DWG: SEE SHEET 2.
- 1.2.2 WORKMANSHIP: PER MIL-PRF-55342.

1.3 ENVIRONMENTAL:

- 1.3.1 ALTITUDE:
 - 1.3.1.1 NON-OPERATING: SEA LEVEL TO 50,000 FEET.
 - 1.3.1.2 OPERATING: SEA LEVEL TO 50,000 FEET.
- 1.3.2 TEMPERATURE RANGE:
 - 1.3.2.1 NON-OPERATING: -55°C TO +150°C.
 - 1.3.2.2 OPERATING: -55°C TO +150°C.
- 1.3.3 VIBRATION: PER MIL-STD-202, METHOD 204, COND. D.
- 1.3.4 SHOCK: PER MIL-STD-202, METHOD 213, COND. I.
- 1.3.5 MOISTURE RESISTANCE: PER MIL-STD-202, METHOD 106 EXCEPT SUBCYCLE STEPS 7A AND 7B AND POLARIZATION AND LOAD ARE NOT APPLICABLE.

1.4 ELECTROSTATIC DISCHARGE CONTROL: PER MIL-STD-1686.

2.0 UNIT MARKING: "DB VALUE", GREEN DOT ADDS 0.5DB. LEGIBILITY AND PERMANENCY PER MIL-STD-130.

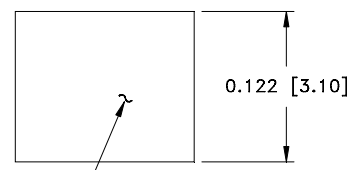
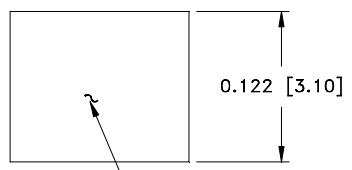
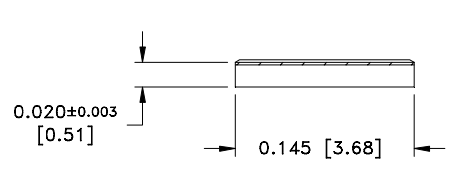
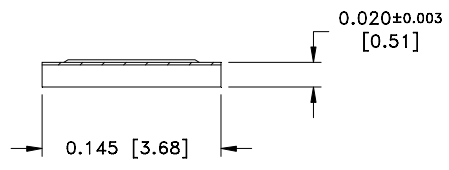
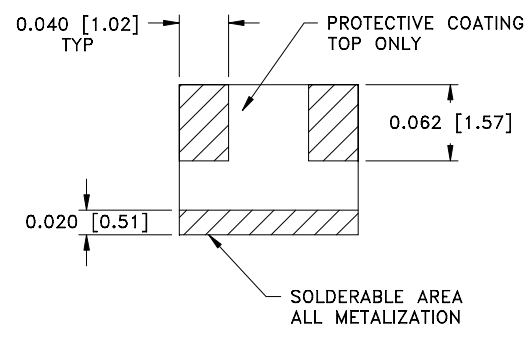
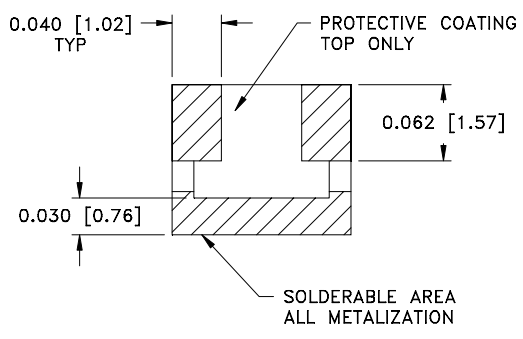
3.0 QUALITY ASSURANCE:

- 3.1 SAMPLE INSPECT PER ANSI/ASQC Z1.4 GENERAL INSPECTION, LEVEL II, AQL = 1.0..
 - 3.1.1 VISUAL AND MECHANICAL EXAMINATION FOR CONFORMANCE TO OUTLINE DRAWING REQUIREMENTS.
- 3.2 PERFORM INSPECTION IN ACCORDANCE WITH QA0006 AND FORM0357 FOR COMMERCIAL GRADE PRODUCT.
- 3.3 TEST DATA REQUIREMENTS:
 - 3.3.1 NO TEST DATA REQUIRED FOR CUSTOMER.
 - 3.3.1 DATA RETENTION – 24 MONTHS.

4.0 PACKAGING: STANDARD PACK PER MC0023.

ENG		PUR		MFG		PLAN		SM		
CC				QA						
EMC TECHNOLOGY, INC 1971 OLD CUTHBERT ROAD CHERRY HILL, NJ 08034		CAGE CODE # 24602					DWG #	1001635000		
		CHANGE NOTICE		EN 02-289			REV LVL	J		
							SHEET	1 OF 2		

PART ID REF
TT3XXX



MARKING THIS SURFACE

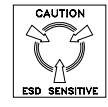
MARKING THIS SURFACE

0-10.5dB

11-20dB

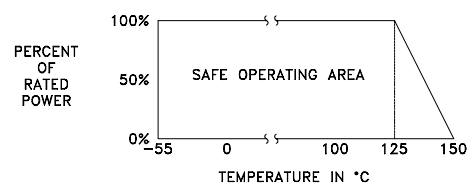
MECHANICAL SPECIFICATIONS:

- SUBSTRATE:
MATERIAL - ALUMINA 96%, MIL-I-10.
- TERMINAL:
MATERIAL - THICK FILM, NICKEL BARRIER,
SOLDER PLATE Sn90 P10.
- RESISTIVE ELEMENT:
MATERIAL - TANTALUM NITRIDE.



METRIC EQUIVALENTS GIVEN IN [mm]
FOR REFERENCE INFORMATION ONLY

POWER RATING AND DERATING



EMC Technology
1971 OLD CUTHBERT RD
CHERRY HILL NJ 08034
PHONE NO. (856) 429-7800
FAX NO. (856) 429-1807

UNLESS OTHERWISE SPECIFIED DIMENSIONS ARE IN INCHES TOLERANCES
FRACT ---
ANG ---
XX ---
XXX ±0.005
XXXX ---

THESE DRAWINGS AND SPECIFICATIONS ARE THE PROPERTY OF EMC TECHNOLOGY INC AND SHALL NOT BE DUPLICATED OR USED AS BASIS FOR THE MANUFACTURE OR SALE OF PARTS OR DEVICES WITHOUT PERMISSION.

CAGE CODE 24602	SCALE 10:1	DRAWN BY CSS 8-1-02	CHECKED BY	APPROVED BY DAR 8/15/02
REV J	CHANGE NOTICE EN 02-289	DRAWING NO 1001635000	SHEET 2 OF 2	