



CX7VSM CRYSTAL

80 kHz to 160 kHz

Ultra-Miniature, Low Profile
Surface Mount Quartz Crystal

DESCRIPTION

STATEK's next generation ultra-miniature CX7VSM quartz crystals feature an innovation in quartz crystal miniaturization design and manufacturing process. The CX7VSM quartz crystals are hermetically sealed in the smallest surface mount ceramic package in the world! This high quality tuning fork resonator is intended for use in Pierce oscillators.

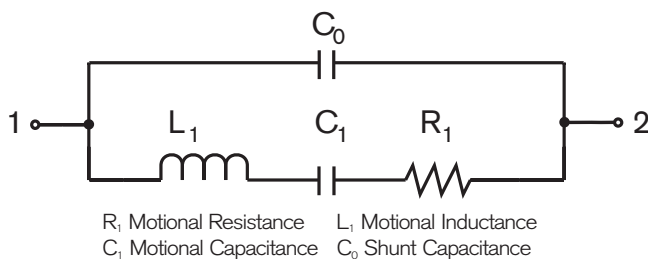
FEATURES

- Designed for surface mount applications using infrared, vapor phase, wave solder or epoxy mount techniques
- Hermetically sealed ceramic package
- Quartz crystal tuning fork design
- High shock resistance
- Excellent aging characteristics
- Designed for low power applications
- Full military testing available
- Designed and manufactured in the USA

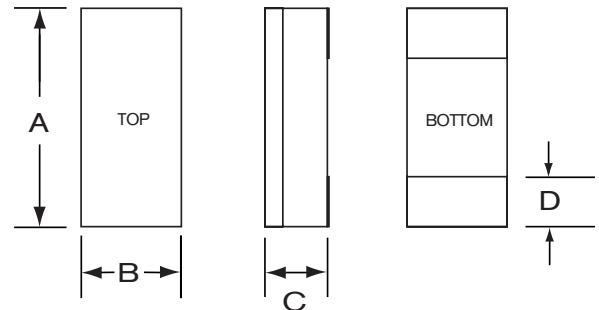
APPLICATIONS

- Medical
- Pacemaker, defibrillator and hearing aid
- Industrial, Computer & Communications
- Smart card
- Military & Aerospace
- Airborne hybrid computer
 - Real time clock
 - MCM

EQUIVALENT CIRCUIT



PACKAGE DIMENSIONS

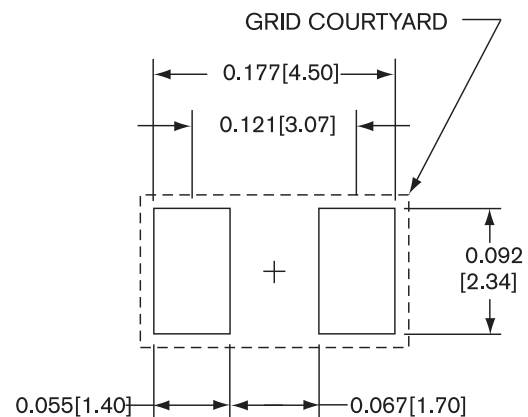


DIM	TYP.		MAX.	
	INCHES	mm	INCHES	mm
A	0.157	4.00	0.162	4.11
B	0.072	1.83	0.085	2.16
C	-	-	see below	
D	0.035	0.89	0.045	1.14

THICKNESS (DIM C) MAXIMUM

DIM "C"	GLASS LID		CERAMIC LID	
	INCHES	mm	INCHES	mm
SM1	0.045	1.14	0.050	1.27
SM2/SM4	0.046	1.17	0.051	1.30
SM3/SM5	0.048	1.22	0.053	1.35

SUGGESTED LAND PATTERN



10152 - Rev D



SPECIFICATIONS

Specifications are typical at 25°C unless otherwise noted.
Specifications are subject to change without notice.

	100 kHz	153.6 kHz
Motional Resistance R_1 (k Ω)	19	11
Motional Capacitance C_1 (fF)	1.0	0.8
Quality Factor Q (k)	86	110
Shunt Capacitance C_0 (pF)	0.8	0.8
Load Capacitance (pF) ¹	5	5
Turning Point (°C) ²	10	5

Standard Calibration Tolerance:³

Glass Lid:	± 30 ppm (0.003%)	± 100 ppm (0.01%)	± 1000 ppm (0.1%)
Ceramic Lid:	± 100 ppm (0.01%)	± 1000 ppm (0.1%)	± 10000 ppm (1.0%)

Drive Level	0.5 μ W MAX
Temperature Coefficient (k)	-0.035 ppm/°C ²
Aging, first year	5 ppm
Shock, survival ⁴	5,000 g, 0.3 ms, 1/2 sine
Vibration, survival	20 g RMS, 10-2,000 Hz random
Operating Temp. Range	-10°C to +70°C (Commercial) -40°C to +85°C (Industrial) -55°C to +125°C (Military)
Storage Temp. Range	-55°C to +125°C
Max Process Temperature	260°C for 20 sec.

Note: Frequency (f_T) at temperature (T) from frequency (f_0) @ turning point temperature (T_0); $\frac{f-f_0}{f_0} = k(T-T_0)^2$

1. Other load capacitance value available
2. Other temperature available
3. Tighter tolerances available

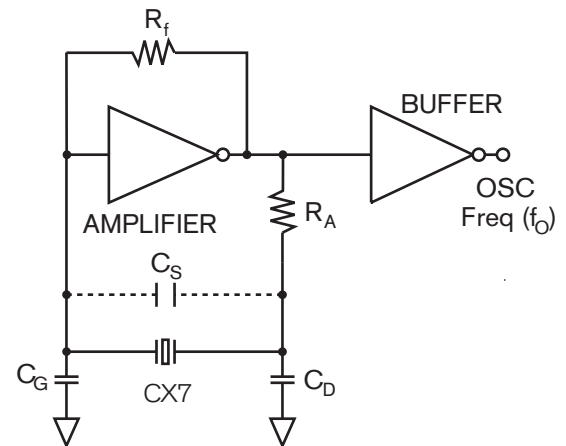
TERMINATIONS

Designation	Termination
SM1	Gold Plated
SM2	Solder Plated
SM3	Solder Dipped
SM4	Solder Plated (Lead Free)
SM5	Solder Dipped (Lead Free)

PACKAGING OPTIONS

- Tray Pack (standard)

CONVENTIONAL CMOS PIERCE OSCILLATOR CIRCUIT



HOW TO ORDER CX7VSM CRYSTALS

