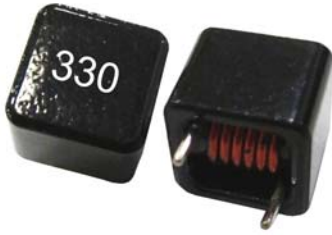


CPUD Series



CPUD series is designed for low RDC and ultra large current application. Its assembly model magnetic shielded type is suitable for high-density mounting and ultra low buzz noise. Soldering conditions can be easily confirmed when mounting onto the board.

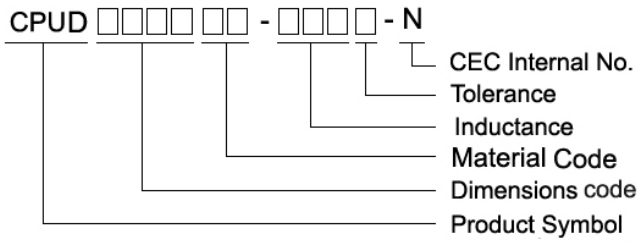
Features

- Excellent for power line DC-DC conversion applications
- Shielded construction
- Low DCR/ μH , in this package series
- Handle high transient current spikes without saturation
- Ultra low buzz noise, due to composite construction

Applications

- Excellent for power line DC-DC conversion applications used in power switching, personal computers and other handheld electronic equipment

Product Identification



Shapes and Dimensions

FIG 1

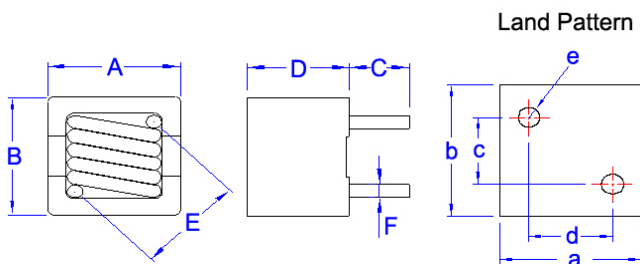
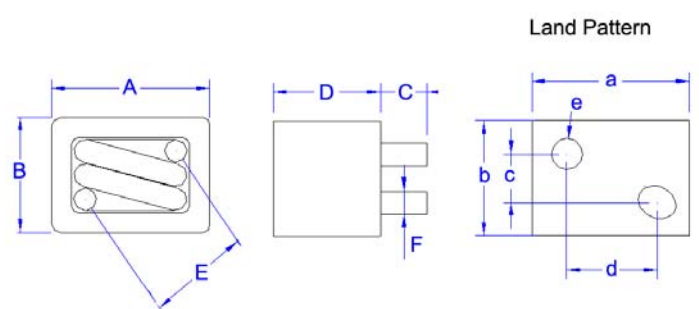


FIG 2



Dimensions in mm

| TYPE | FIG | A | B | C | D | E | F | a | b | c | d | e |
|------------|-----|--------------------|--------------------|---------|-------------------|----------|---------|------|------|---------|---------|---|
| CPUD0806MN | 1 | 8.2 ⁺⁰ | 8.2 ⁺⁰ | 3.5±0.5 | 7.5 ⁺⁰ | 6.5±0.5 | 0.8±0.1 | 9.0 | 9.0 | 4.3±0.5 | 4.9±0.5 | 2 |
| CPUD1108IR | 2 | 11.7 ⁺⁰ | 9.7 ⁺⁰ | 3.5±0.5 | 8.5 ⁺⁰ | 7.8±0.5 | 1.4±0.1 | 12.0 | 10.0 | 4.2±0.5 | 6.6±0.5 | 2 |
| CPUD1310IR | 2 | 13.5 ⁺⁰ | 12.5 ⁺⁰ | 3.5±0.5 | 10 ⁺⁰ | 10.5±0.5 | 1.0±0.1 | 14.2 | 13.2 | 7.0±0.5 | 7.8±0.5 | 2 |

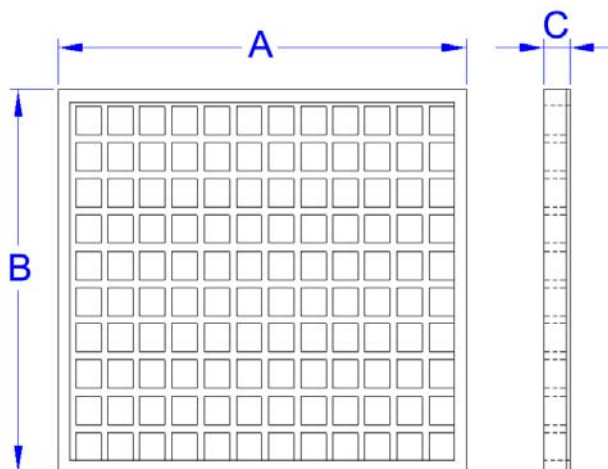
Electrical Characteristics

| Part Number | Inductance (μ H) | Tolerance (\pm %) | Test Frequency (KHz) | RDC ($m\Omega$) \pm 8% | Isat (A) Max | Irms (A) Max | Marking |
|-------------------|--------------------------|-------------------------|----------------------------|-------------------------------|-----------------|-----------------|---------|
| CPUD0806MN-R60M-N | 0.6 | 20 | 100 | 2.1 | 24 | 20 | R60 |
| CPUD0806MN-1R0M-N | 1.0 | 20 | 100 | 3.0 | 15 | 18 | 1R0 |
| CPUD0806MN-1R5M-N | 1.5 | 20 | 100 | 4.5 | 11 | 13 | 1R5 |
| CPUD0806MN-2R2M-N | 2.2 | 20 | 100 | 4.5 | 8 | 13 | 2R2 |
| CPUD0806MN-3R3M-N | 3.3 | 20 | 100 | 6.8 | 7 | 11 | 3R3 |
| CPUD0806MN-4R7M-N | 4.7 | 20 | 100 | 12.0 | 5 | 7 | 4R7 |
| CPUD1108IR-R30M-N | 0.30 | 20 | 100 | 0.65 | 50 | 43 | R30 |
| CPUD1108IR-R56M-N | 0.56 | 20 | 100 | 1.00 | 42 | 35 | R56 |
| CPUD1108IR-1R0M-N | 1.0 | 20 | 100 | 2.00 | 50 | 28 | 1R0 |
| CPUD1108IR-1R5M-N | 1.5 | 20 | 100 | 3.65 | 30 | 20 | 1R5 |
| CPUD1108IR-2R0M-N | 2.0 | 20 | 100 | 5.20 | 27 | 15 | 2R0 |
| CPUD1310IR-1R0M-N | 1.0 | 20 | 100 | 1.15 | 42 | 32 | 1R0 |
| CPUD1310IR-1R5M-N | 1.5 | 20 | 100 | 1.85 | 42 | 26 | 1R5 |
| CPUD1310IR-2R0M-N | 2.0 | 20 | 100 | 3.50 | 35 | 21 | 2R0 |
| CPUD1310IR-3R3M-N | 3.3 | 20 | 100 | 5.00 | 22 | 17 | 3R3 |
| CPUD1310IR-4R7M-N | 4.7 | 20 | 100 | 8.60 | 17 | 12 | 4R7 |

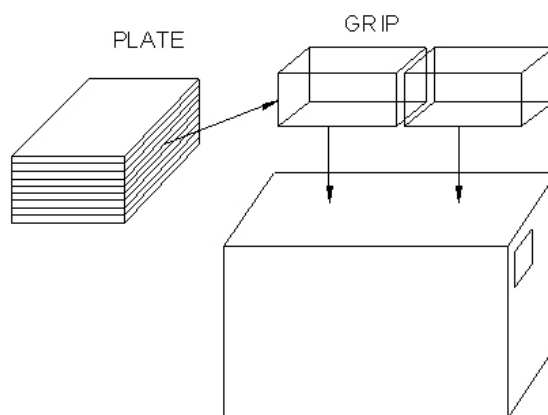
- Isat for inductance drops 20% from its value without current
- I rms for a 40°C rise above 25°C ambient.
- Customized Specifications are available.
- Tested L: WK4237METER
RDC: HK502BC METER
Isat - I rms : WK3260B/ 3265B METER

Packaging

PLATE DIMENSIONS



PACKAGING QUANTITY



Dimensions in mm

| TYPE | PLATE DIMENSIONS | | | QUANTITY | | | | |
|------------|------------------|-----|----|----------|-------|------------|------|------|
| | A | B | C | BULK | PLATE | PLATE/GRIP | GRIP | BOX |
| CPUD0806MN | 255 | 210 | 14 | ✓ | 200 | 10 | 2 | 4000 |
| CPUD1108IR | 230 | 150 | 12 | ✓ | 120 | 10 | 2 | 2400 |
| CPUD1310IR | 230 | 150 | 15 | ✓ | 100 | 10 | 2 | 2000 |