

# Power Connectors

Power Connectors



**CCT1302-□□□□F**

01 : Horizontal  
 02 : Vertical  
 01 : Non-polarized (neutral)  
 02 : Polarized

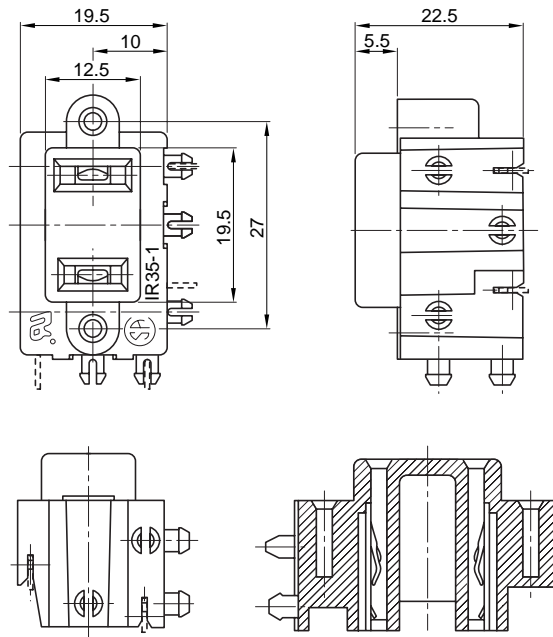
## AC Outlet (PS-2 Series)

### Specification

1. Rating : 15A, 125V AC
2. Contact Resistance : 50mΩ max.
3. Insulation Resistance : 300MΩ min. at 500V DC
4. Withstanding Voltage : 2000V AC (for one minute)
5. Operating Temperature Range : -20°C to +80°C
6. Main Unit Material : Thermoplastic Resin, Black, 94V-1
7. Catalog No. : IR35 (CCT1302-01□□F)  
IR35-1(CCT1302-02□□F)

### Note

1. Independent type from the printed circuit board.
2. Can be fixed to the chassis with two tapping screws (3mm).



### Approval Standards:

- UL
- CSA (02 for polarized models only)

Mounting Direction	□□	Terminal Layout	P.C. Board Dimension (Top View) t=1.6mm	Mounting Holes for Panel
Horizontal	01			
Vertical	02			