



The SSF67 has been designed to give the user a deep penetration float switch with a number of switching options, to cater for a wide variety of system requirements. Manufactured in Stainless Steel 316L grade material, these switches are suitable for use in many aggressive liquids or hygienic applications.



- **Stainless Steel 316L material**
- **Single or dual switching levels**
- **Close tolerance switching**
- **Process Temperature to 135°C**

The single float version provides high level (make on rise) and low level (make on fall) switch contacts. Suitable for high and low level alarms and control signals.

This switch is screw mounted vertically with a M16x2 thread, so requires access to the inside of the tank.

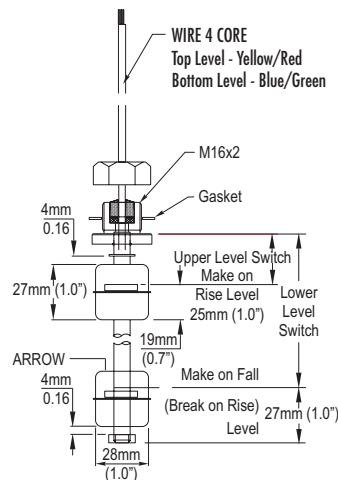
Typical applications are in water, diesel, oil, hydraulic tanks and reservoirs or in chemicals storage and process control.

Technical Specification		Electrical Specification	
Material	Stainless Steel 316L	Switching Power Max. VA	25
Temp. Range °C	-20 /+135	Switching Voltage AC	250
°F	-4 /+275	Switching Voltage DC	120
Min. Fluid S.G.	0.80	Switching Current Max. A	0.6
Minimum high level mm	25	All rating are for resistive load only	
Maximum low level mm	3500		
Switching differential (each level) nominal mm	1		
Maximum pressure bar	10 (up to 500mm stem length)		

Single Float Version Cynergy ³ no.	Upper Switch Level	Lower Switch Level	Total Length	Gasket
SSF67A25B75	25mm	75mm	102mm	Nitrile
SSF67A25B100	25mm	100mm	127mm	Nitrile
SSF67A25B125	25mm	125mm	152mm	Nitrile
SSF67A25B150	25mm	150mm	177mm	Nitrile
SSF67A25B175	25mm	175mm	202mm	Nitrile

Mechanical Dimensions

All dimensions are in millimeters (inches)



USA
Cynergy3 Components
2320 Paseo de las Americas, Suite 104
San Diego, CA 92154
Sales & Tech Support (866) 258-5057
Email: sales@cynergy3.com

EUROPE - UK
Cynergy3 Components Ltd.
7 Cobham Road
Ferndown Industrial Estate
Wimborne, Dorset BH21 7PE
Telephone +44 (0) 1202 897969
Fax +44 (0) 1202 891918
Email:sales@cynergy3.com