


Features

- IEEE 802.3af Ethernet compatible
- Designed for AMD IC manufacturers
- Fully integrated for adapter, hub and motherboard applications
- RoHS compliant*

 This series is currently available, but not recommended for new designs. The **PT61017PEL Series** is preferred.

Applications

- LAN (Local Area Network)
- Ethernet

PT61017EL LAN 10/100 Base-Tx

Electrical Specifications @ 25 °C

| | |
|---|------------------------|
| Turns Ratio | |
| TX ± 5% | 1CT*:1CT* |
| RX ± 5% | 1CT*:1CT* |
| OCL (μH min) | 350 |
| Interwinding Capacitance | |
| C _{ww} (pF typ.) | 20 |
| Leakage Inductance L _s (μH max.) | 0.5 |
| Hipot 60 sec. (Vrms) | 1500 |
| DCR (Ω max.) | 0.9 |
| Polarity | 1-16, 6-11 In-Phase |
| Insertion Loss | |
|0.3-100 MHz - 1.1 dB Max. (TX/RX) | |
| Return Loss | |
| 0.3-30 MHz | -18 dB Min. (TX/RX) |
| 40 MHz | -15 dB Min. (TX/RX) |
| 50 MHz | -13 dB Min. (TX/RX) |
| 60-80 MHz | -12 dB Min. (TX/RX) |
| Cross Talk | |
| 0.3 - 60 MHz ... | -42 dB Min. (TX to RX) |
| 60-100 MHz ... | -35 dB Min. (TX to RX) |
| Common Mode Rejection | |
| 0.3-30 MHz | -40 dB Min. (TX/RX) |
| 60-100 MHz | -35 dB Min. (TX/RX) |
| 80-100 MHz | -30 dB Min. (TX/RX) |
| Operating Temperature | 0 °C to +70 °C |

*CT: Center tap

Material

Termination Tin

Packaging Specifications

Tape & Reel 700 pcs./reel

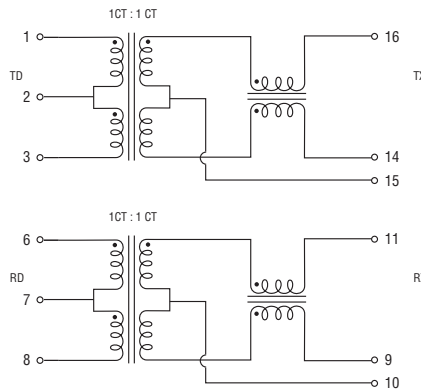
How To Order

Model PT61017 E L

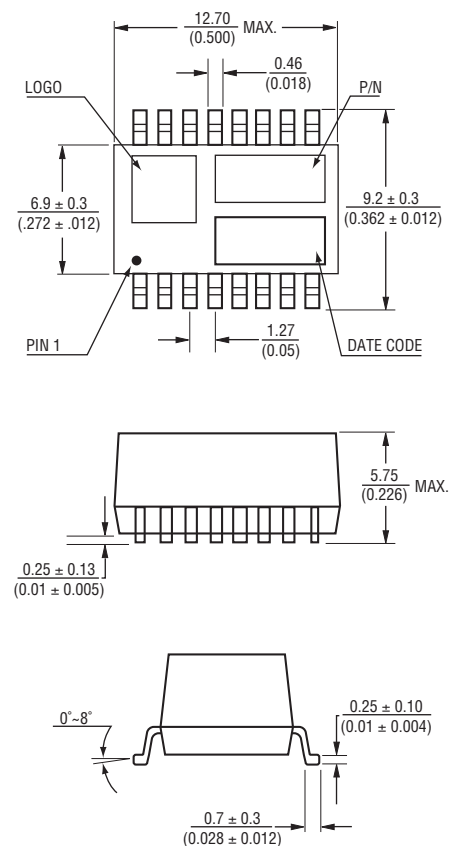
Packaging _____
 E = Tape and Reel (700 pcs./reel)

Termination _____
 L = Tin only (RoHS Compliant)

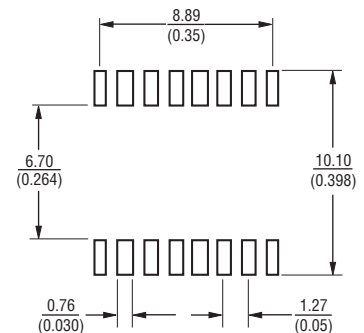
Electrical Schematic



Product Dimensions



Recommended Layout



DIMENSIONS: $\frac{\text{MM}}{\text{(INCHES)}}$

REV. 11/13

*RoHS Directive 2002/95/EC Jan. 27, 2003 including annex and RoHS Recast 2011/65/EU June 8, 2011. Specifications are subject to change without notice.

The device characteristics and parameters in this data sheet can and do vary in different applications and actual device performance may vary over time. Users should verify actual device performance in their specific applications.