

**Optical fiber connector**

**FC-type**

**JIS C 5970 F01 type**

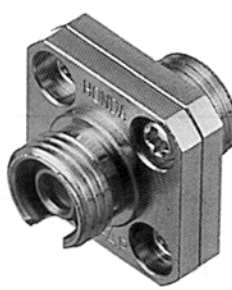
**Adaptor**

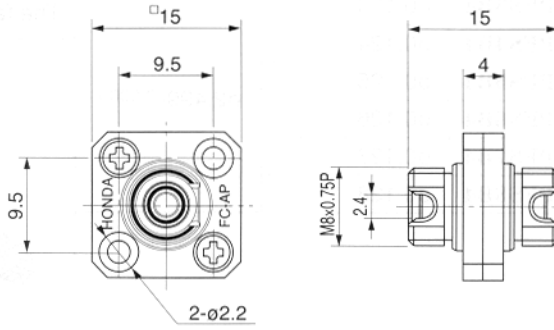
**FC-type adaptor  
LGC-100 series**

A cap is attached

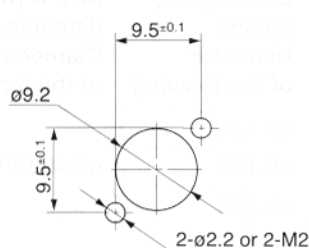
**Phosphor-Bronze-Alignment-Sleeve Adaptor**

Item Number	Material of Alignment Sleeve	
LGC-A101	Phosphor Bronze	unit(mm)





**Mounting Hole Size** unit(mm)



**LGC**

**FC-type adaptor**  
**LGC-100 series**

**Optical fiber connector**

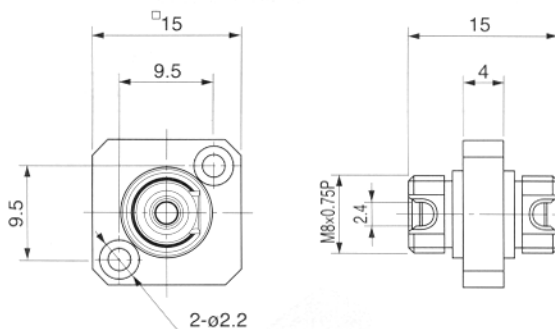
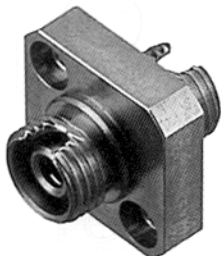
**FC-type**

**JIS C 5970 F01 type**

**Adaptor**

**Phosphor-Bronze-Alignment-Sleeve Adaptor (Housing-integrated Type)**

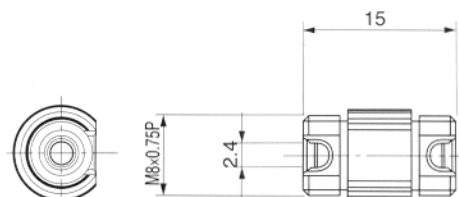
Item Number	Material of Alignment Sleeve
LGC-A107	Phosphor bronze



unit(mm)

The mounting hole size is equal to that of LGC-A101.

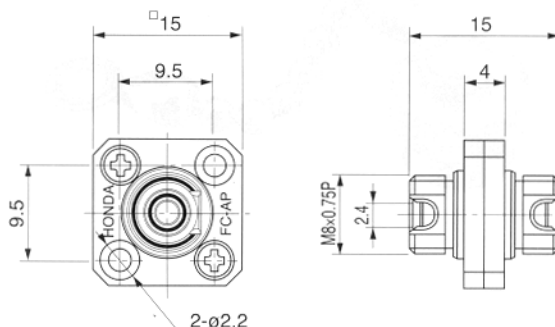
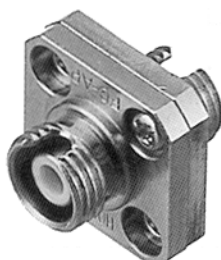
Item Number	Material of Alignment Sleeve
LGC-A108	Phosphor bronze



unit(mm)

**Zirconia-Alignment-Sleeve Adaptor**

Item Number	Material of Alignment Sleeve
LGC-A104	Zirconia



unit(mm)

The mounting hole size is equal to that of LGC-A101.

**LGC**