



SP6801

Universal High Brightness LED Driver

DESCRIPTION

The SP6801 is a PWM high efficiency LED driver. It operates in wide range input voltage from 10V up to 600V. The device drives an external MOSFET at a fixed frequency. The frequency is programmable up to 300KHz with a single resistor. The dimming control for SP6801 can be either PWM input or linear input. The LED string is driven at a constant current without the need for loop compensation. SP6801 requires only few external components to achieve constant LED current making it ideas for low cost LED driver. The SP6801 is available in SOP-8 package.

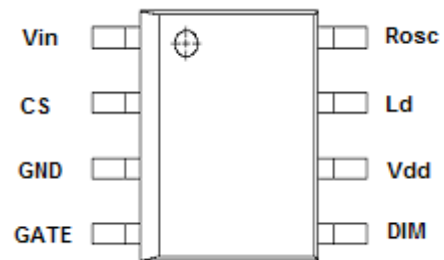
APPLICATIONS

- AC/DC or DC/DC LED driver applications
- Backlighting for flat panel displays
- General purpose constant current source
- Automotive
- Chargers

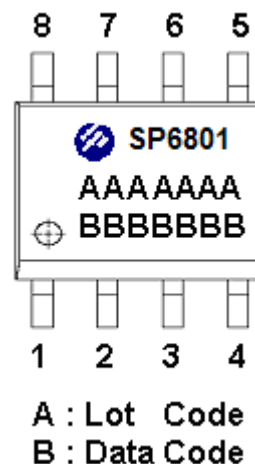
FEATURES

- >90% efficiency
- 10V to 600V DC input range
- Constant current LED driver
- Linear and PWM dimming capability
- Internal thermal overload protection

PIN CONFIGURATION(SOP-8)



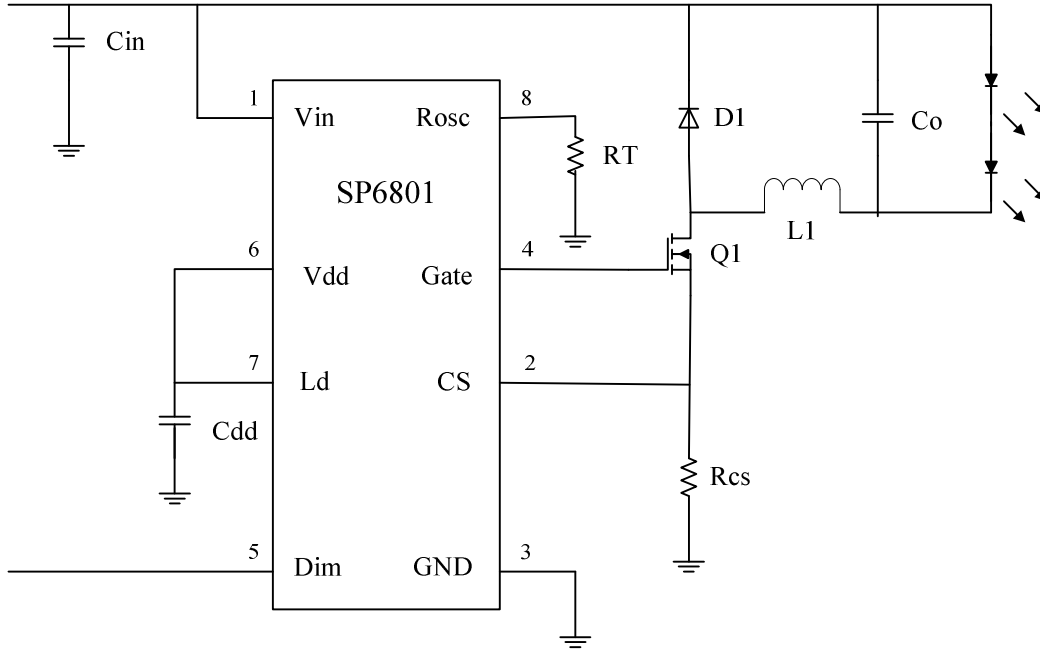
PART MARKING





SP6801 Universal High Brightness LED Driver

TYPICAL APPLICATION CIRCUIT



PIN DESCRIPTION

Pin	Symbol	Description
1	VIN	Supply Voltage Input
2	CS	Current sense. This pin senses the voltage across a resistor, to control PWM output. This pin also provides current amplitude information for current-mode control
3	GND	Ground
4	Gate	Gate driver output to drive the external MOSFET
5	Dim	Dimming Control
6	Vdd	Power supply pin for internal circuits
7	Ld	Linear dimming by changing the current limit threshold at current sense comparator
8	Rosc	This is used to charge an internal capacitor, to determine the switching frequency

ORDERING INFORMATION

Part Number	Package	Part Marking
SP6801S8RGB	SOP-8	SP6801

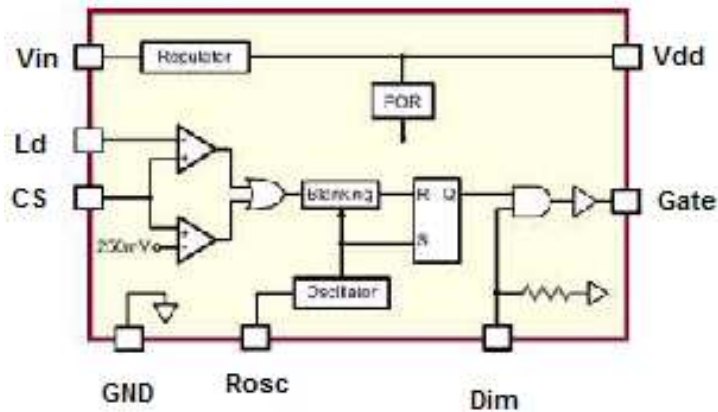
※ SP6801S8RGB : Tape Reel ; Pb – Free ; Halogen -Free



SP6801

Universal High Brightness LED Driver

BLOCK DIAGRAM



ABSOLUTE MAXIMUM RATINGS

($T_A=25^{\circ}\text{C}$ Unless otherwise specified)

Parameter	Symbol	Value	Unit
DC Supply Voltage	V_{IN}	600	V
Vdd to Ground	Vdd	12	V
CS, Gate, Dim, Ld		Vdd+0.3V	V
Operating Temperature	T_{OPR}	-40~85	$^{\circ}\text{C}$
Maximum Junction Temperature	$T_{J(\text{Max})}$	-40~125	$^{\circ}\text{C}$
Storage Temperature	T_S	-65~150	$^{\circ}\text{C}$
Thermal Resistance Junction – Case (*)	$R_{\theta JC}$	150	$^{\circ}\text{C}/\text{W}$
Power Dissipation	P_D	630	mW

The IC has a protection circuit against static electricity. Do not apply high static electricity or high voltage that exceeds the performance of the protection circuit to the IC.



SP6801

Universal High Brightness LED Driver

ELECTRICAL CHARACTERISTICS

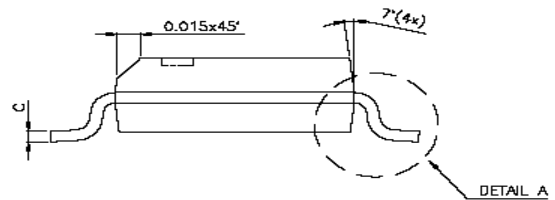
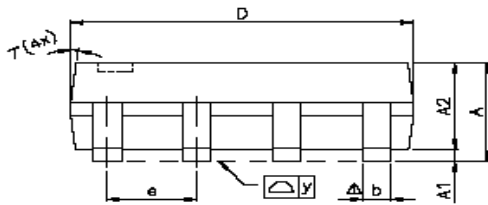
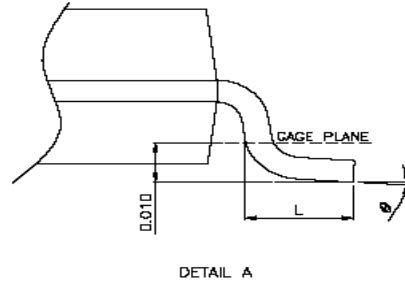
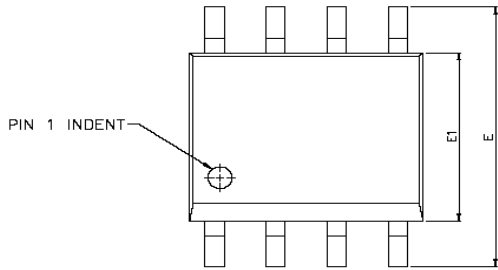
($T_A=25^{\circ}\text{C}$, $V_{IN}=12\text{V}$, Unless otherwise specified)

Symbol	Parameter	Conditions	Min.	Typ.	Max.	Unit
Supply Voltage (VIN Pin)						
I_{SD}	Shut Down Mode Supply Current	DIM to Ground,		0.5	1	mA
V_{in}	DC Input Supply Voltage		10		600	V
UVLO (on)	Start Threshold Voltage	V_{DD} Rising	6.45	6.7	6.95	V
Δ UVLO	Under Voltage Lockout Hysteresis	V_{DD} Falling		500		mV
Internal Regulator (VDD Pin)						
V_{DD}	Internal Regulated Voltage	$V_{in}=10\text{V}\sim 600\text{V}$, $I_{DD}=0$, Gate Open	7.0	7.5	8.0	V
Δ V_{DD}	Load Regulation	$I_{DD}=0\sim 1\text{mA}$, $V_{DIM}=V_{DD}$, $R_{osc}=226\text{K}\Omega$, Gate=500pF			100	mV
V_{DD}	Maximum V_{DD} Voltage	Apply External Voltage			10	V
$I_{DD(ext)}$	Current Available for External Circuit	$V_{in}=15\sim 100\text{V}$			0.7	mA
Oscillator (ROsc Pin)						
FOSC	Frequency	$R_{osc}=1\text{M}\Omega$	20	25	30	KHz
		$R_{osc}=226\text{K}\Omega$	80	100	120	KHz
Current Sensing (CS Pin)						
$V_{CS(TH)}$	Current Sense Pull-in Threshold Voltage	$T_A=-40^{\circ}\text{C}\sim 85^{\circ}\text{C}$	225	250	275	mV
TBLANK	Current Sense Blanking Interval	$V_{CS}=0.55V_{LD}$, $V_{LD_i}=V_{DD}$	150	215	280	nS
TDELAY	Delay to Output	$V_{LD}=0.15\text{V}$, $V_{CS}=0\sim 0.22\text{V}$ after TBLANK, $V_{in}=12\text{V}$			300	nS
Gate Driver Output (GATE Pin)						
V_{OL}	Output Low Level	$I_o=-10\text{mA}$	0		0.3	V
V_{OH}	Output High Level	$I_o=10\text{mA}$	$V_{DD}-0.3$		V_{DD}	V
T_r	Rising Time	Load Cap=500pF, $V_{DD}=7.5\text{V}$	30		50	nS
T_f	Falling Time	Load Cap=500pF, $V_{DD}=7.5\text{V}$	30		50	nS
PWM Dimming (DIM Pin)						
$V_{EN(LO)}$	PWM Dimming Input Low Voltage	$V_{in}=10\text{V}\sim 600\text{V}$			0.8	V
$V_{EN(HI)}$	PWM Dimming Input High Voltage	$V_{in}=10\text{V}\sim 600\text{V}$	2			V
REN	PWM Dimming Pull Down Resistance	$V_{EN}=5\text{V}$	50	100	150	K Ω
Linear Dimming (Ld Pin)						
V_{LD}	Linear Dimming Voltage	$V_{in}=12\text{V}$, $T_A<85^{\circ}\text{C}$			250	mV



SP6801 Universal High Brightness LED Driver

SOP-8 PACKAGE OUTLINE



SYMBOLS	DIMENSIONS IN MILLIMETERS			DIMENSIONS IN INCHES		
	MIN	NOM	MAX	MIN	NOM	MAX
A	1.47	1.60	1.73	0.058	0.063	0.068
A1	0.10	—	0.25	0.004	—	0.010
A2	—	1.45	—	—	0.057	—
b	0.33	0.41	0.51	0.013	0.016	0.020
C	0.19	0.20	0.25	0.0075	0.008	0.0098
D	4.80	4.85	4.95	0.189	0.191	0.195
E	5.80	6.00	6.20	0.228	0.236	0.244
E1	3.80	3.90	4.00	0.150	0.154	0.157
e	—	1.27	—	—	0.050	—
L	0.38	0.71	1.27	0.015	0.028	0.050
Δ y	—	—	0.076	—	—	0.003
θ	0°	—	8°	0°	—	8°



SP6801

Universal High Brightness LED Driver

Information provided is alleged to be exact and consistent. SYNC Power Corporation presumes no responsibility for the penalties of use of such information or for any violation of patents or other rights of third parties which may result from its use. No license is granted by allegation or otherwise under any patent or patent rights of SYNC Power Corporation. Conditions mentioned in this publication are subject to change without notice. This publication surpasses and replaces all information previously supplied. SYNC Power Corporation products are not authorized for use as critical components in life support devices or systems without express written approval of SYNC Power Corporation.

©The SYNC Power logo is a registered trademark of SYNC Power Corporation

©2011 SYNC Power Corporation – Printed in Taiwan – All Rights Reserved

SYNC Power Corporation

7F-2, No.3-1, Park Street

NanKang District (NKSP), Taipei, Taiwan 115

Phone: 886-2-2655-8178

Fax: 886-2-2655-8468

<http://www.syncpower.com>