

Preliminary



SF2150E

- RF Filter, 915 MHz, 10 MHz BW
- 3.0 x 3.0 x 1.4 mm Surface-Mount Case

Complies with Directive
2002/95/EC (RoHS)



MAXIMUM RATING

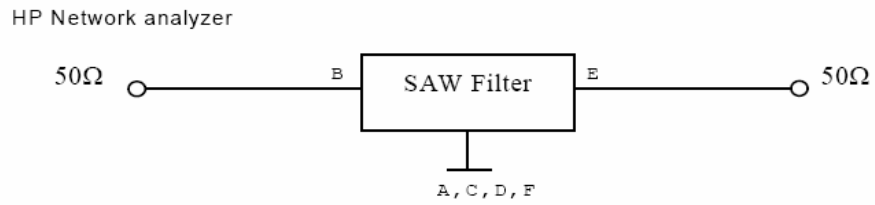
1. Input Power Level: 10 dBm
2. DC Voltage : 3V
3. Operating Temperature: -40°C to +60°C
4. Storage Temperature: -40°C to +85°C

ELECTRICAL CHARACTERISTICS

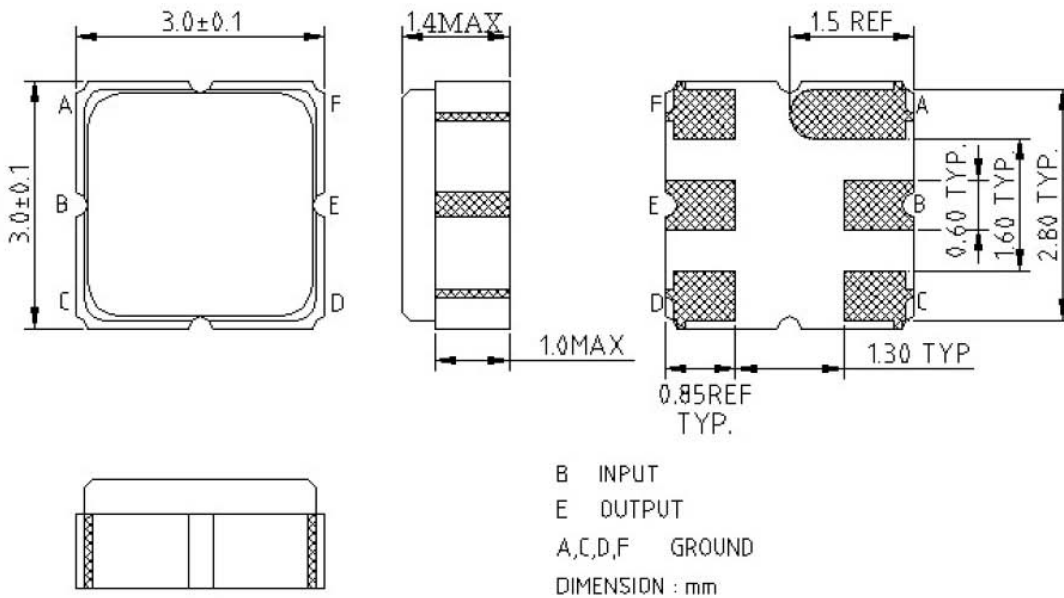
Item	Unit	Min.	Type.	Max.	Note	
Center Frequency <u>F_c</u>	MHz	-	915	-	-	
Insertion Loss (<u>910 ~ 920 MHz</u>) <u>IL</u>	<u>dB</u>	-	3	4	-	
Amplitude Ripple (<u>910 ~ 920 MHz</u>)	<u>dB</u>	-	0.8	2	-	
Attenuation (Reference level from 0 dB)						
D.C ~ 880 MHz	dB	45	50	-	-	
880 ~ 890 MHz	dB	40	52	-	-	
940 ~ 950 MHz	dB	35	40	-	-	
950 ~ 1200 MHz	dB	43	48	-	-	
1200 ~ 1600 MHz	dB	40	48	-	-	
1600 ~ 2200 MHz	dB	30	43	-	-	
2200 ~ 2500 MHz	dB	25	35	-	-	
2500 ~ 3000 MHz	dB	20	27	-	-	

Preliminary

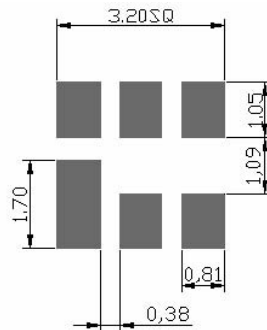
MEASUREMENT CIRCUIT



OUTLINE DRAWING

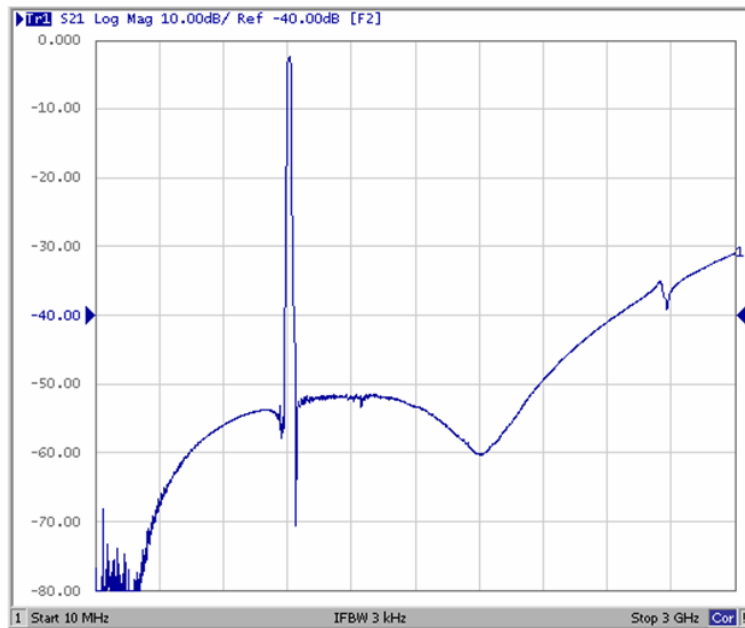
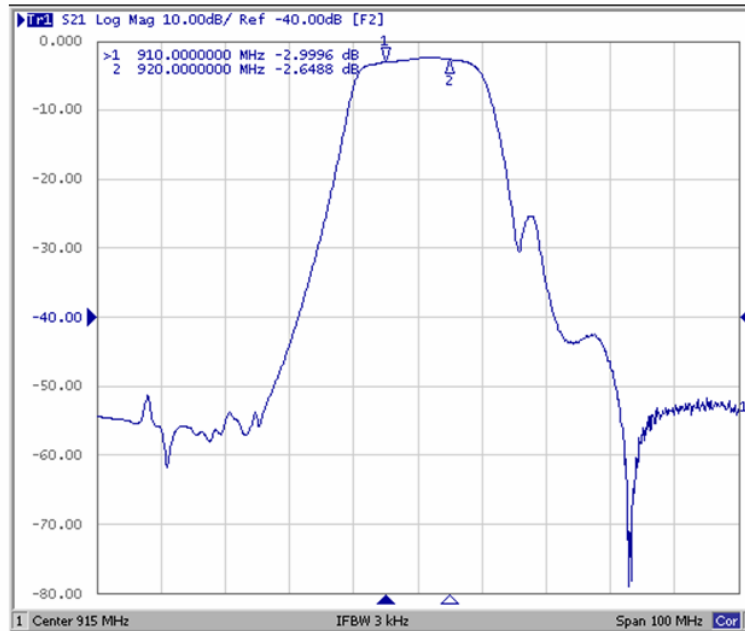


PCB Footprint



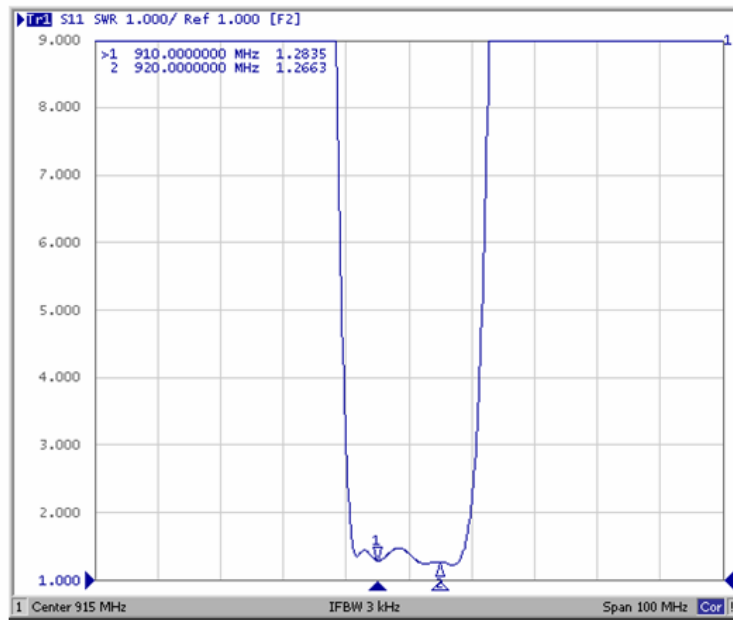
Preliminary

Frequency Characteristics

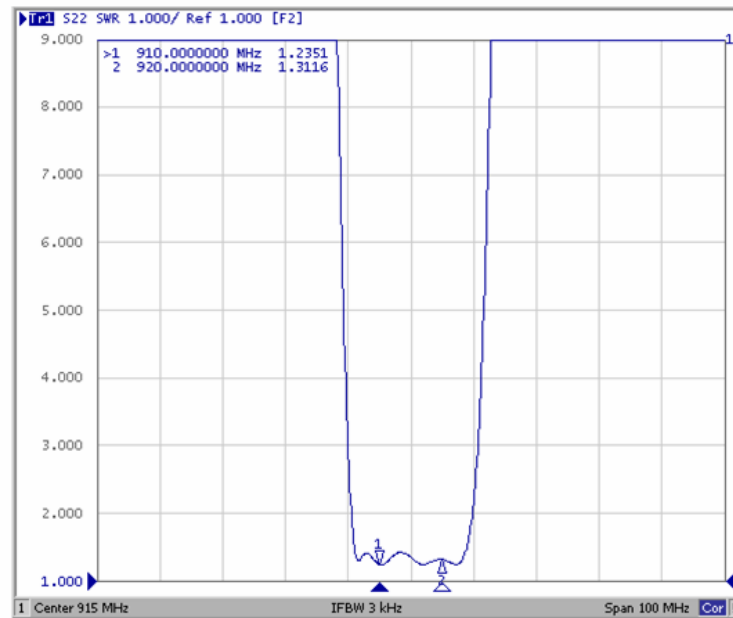


Preliminary

S11

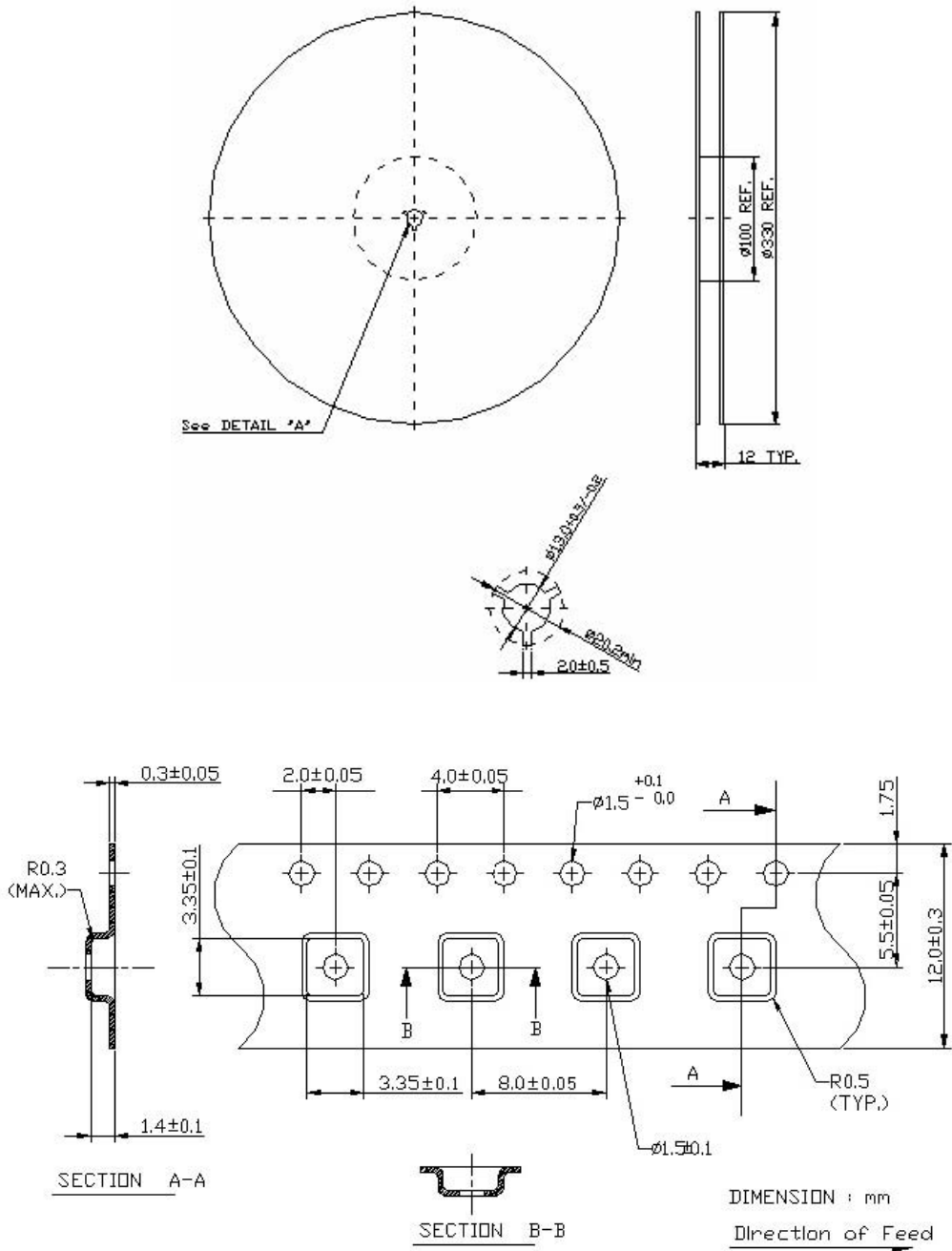


S22



Preliminary

TAPE AND REEL



Preliminary

RECOMMENDED REFLOW PROFILE

