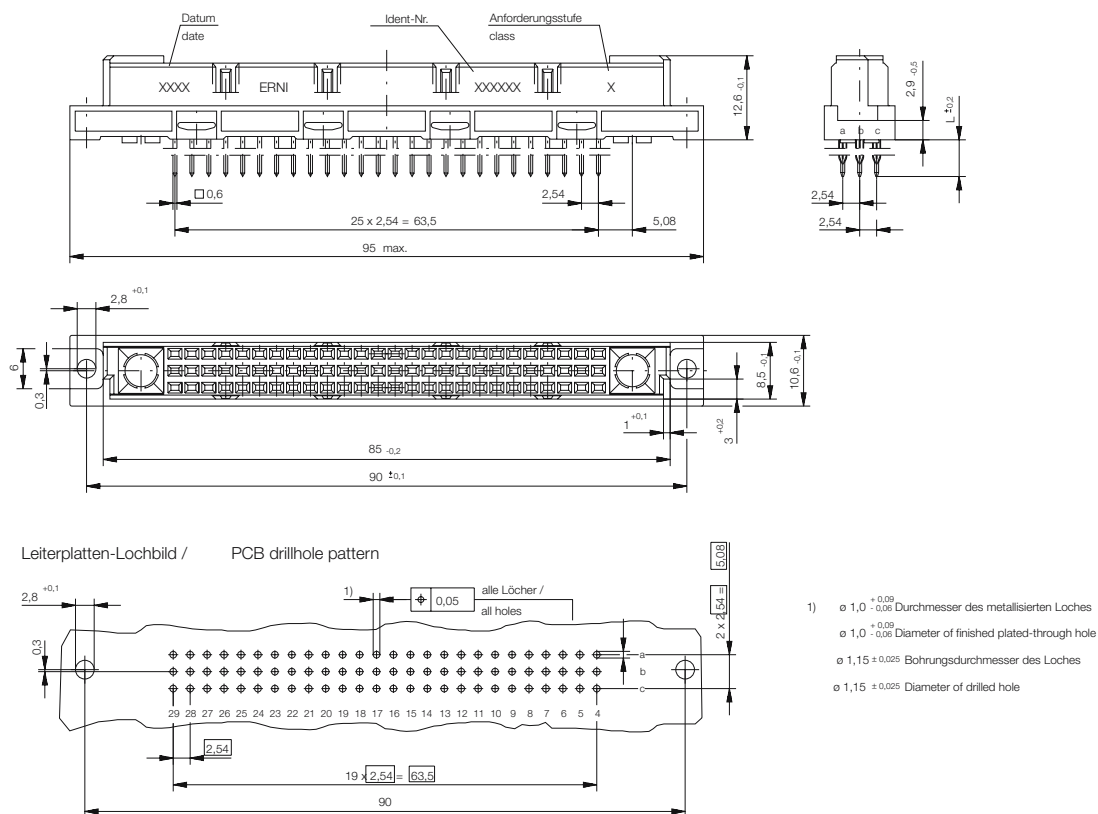


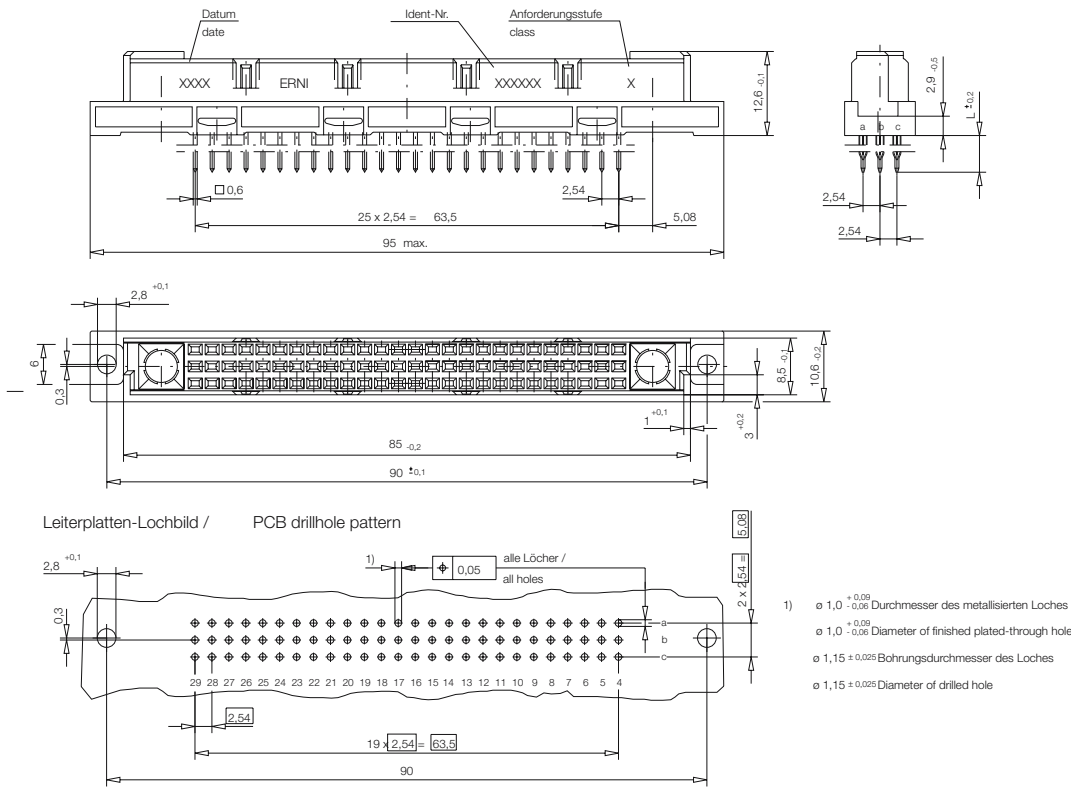
DIN 41612 / IEC 60603-2 Connectors Type M Female



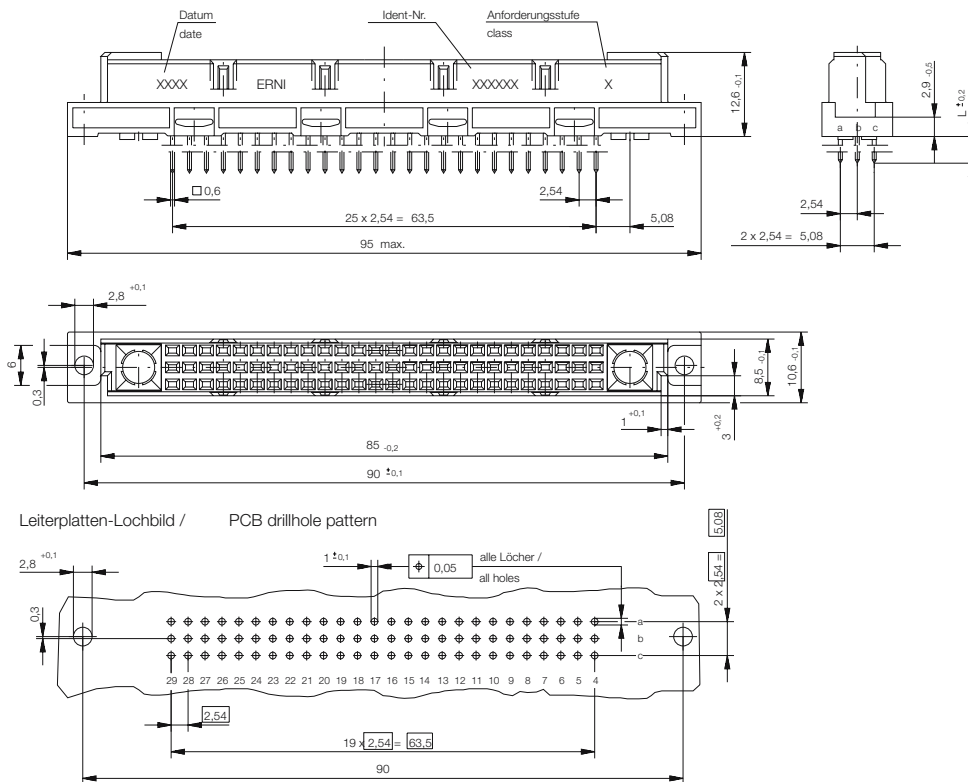
Dimensional Drawing Pressfit



Dimensional Drawing Pressfit Modified



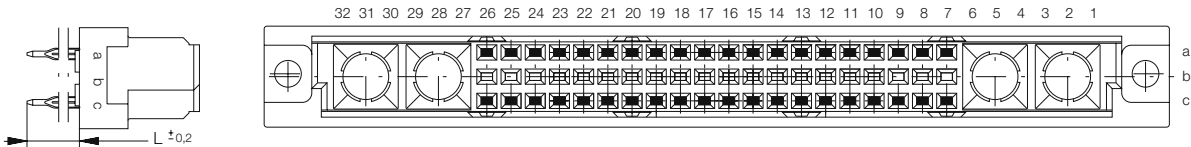
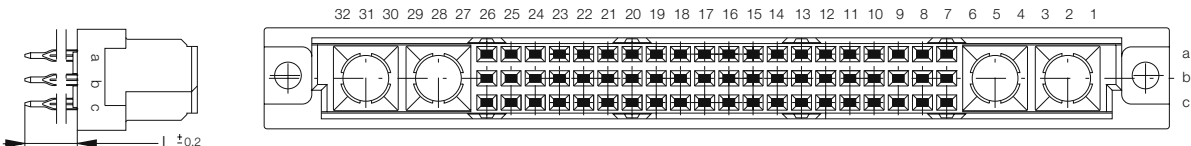
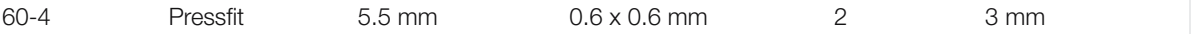
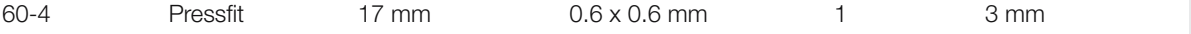
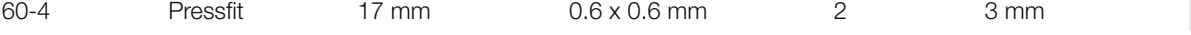
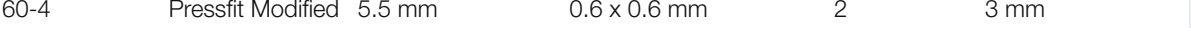
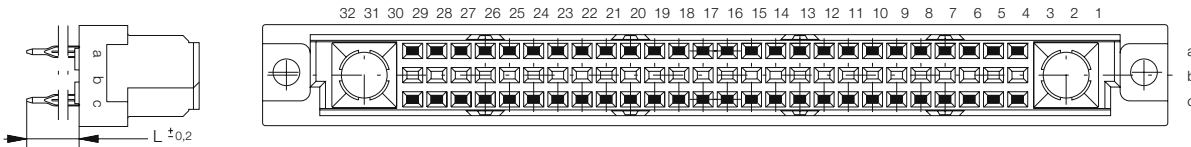
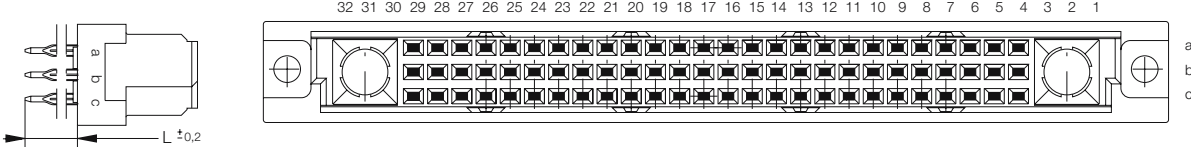
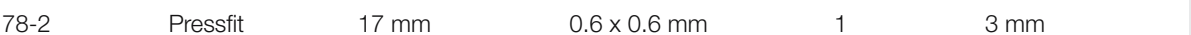
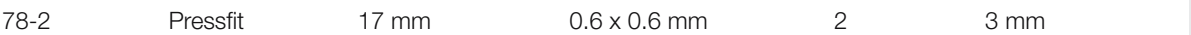
Dimensional Drawing Solder



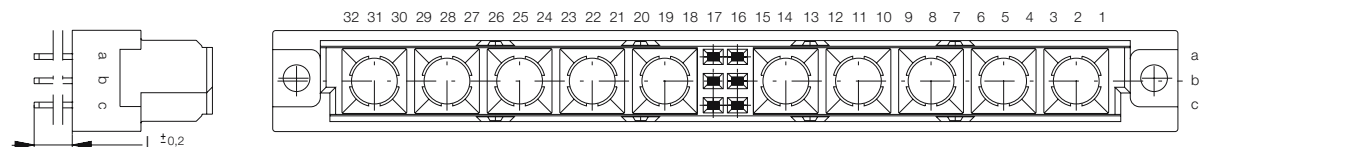
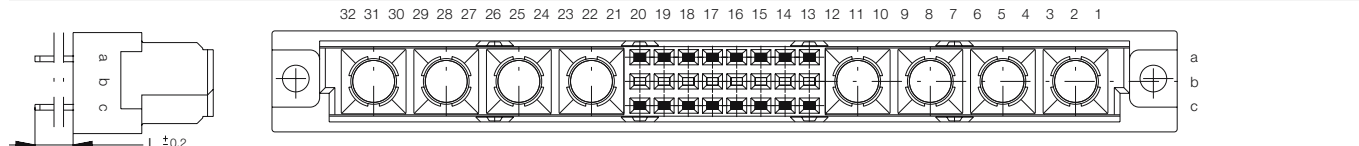
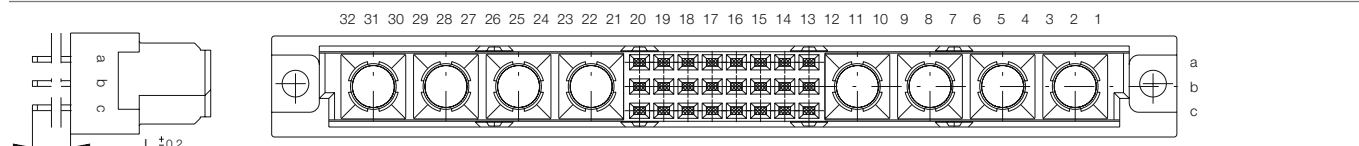
Ordering Information

No. of Pins	Termination	Term. Length	Pin Dimensions	Class	Pressfit Zone	Part Number
6-10	Pressfit	5.5 mm	0.6 x 0.6 mm	2	3 mm	023446
6-10	Pressfit	17 mm	0.6 x 0.6 mm	2	3 mm	023434
6-10	Pressfit Modified	5.5 mm	0.6 x 0.6 mm	2	3 mm	063569
24-8	Pressfit	5.5 mm	0.6 x 0.6 mm	1	3 mm	594805
24-8	Pressfit	5.5 mm	0.6 x 0.6 mm	2	3 mm	593806
24-8	Pressfit	17 mm	0.6 x 0.6 mm	2	3 mm	593794
24-8	Pressfit Modified	5.5 mm	0.6 x 0.6 mm	2	3 mm	034789
28-6	Pressfit	5.5 mm	0.6 x 0.6 mm	2	3 mm	594151
42-6	Pressfit	5.5 mm	0.6 x 0.6 mm	1	3 mm	593802
42-6	Pressfit	5.5 mm	0.6 x 0.6 mm	2	3 mm	593803
42-6	Pressfit	17 mm	0.6 x 0.6 mm	2	3 mm	593791
42-6	Pressfit Modified	5.5 mm	0.6 x 0.6 mm	2	3 mm	043438

Ordering Information

No. of Pins	Termination	Term. Length	Pin Dimensions	Class	Pressfit Zone	Part Number
	Pressfit	5.5 mm	0.6 x 0.6 mm	2	3 mm	594148
	Pressfit	5.5 mm	0.6 x 0.6 mm	1	3 mm	593799
	Pressfit	5.5 mm	0.6 x 0.6 mm	2	3 mm	593800
	Pressfit	17 mm	0.6 x 0.6 mm	1	3 mm	593787
	Pressfit	17 mm	0.6 x 0.6 mm	2	3 mm	593788
	Pressfit Modified	5.5 mm	0.6 x 0.6 mm	2	3 mm	034792
	Pressfit	5.5 mm	0.6 x 0.6 mm	2	3 mm	594145
	Pressfit	5.5 mm	0.6 x 0.6 mm	2	3 mm	593797
	Pressfit	17 mm	0.6 x 0.6 mm	1	3 mm	593784
	Pressfit	17 mm	0.6 x 0.6 mm	2	3 mm	593785

Ordering Information

No. of Pins	Termination	Term. Length	Pin Dimensions	Class	Pressfit Zone	Part Number
						
6-10	Solder	4 mm	0.6 x 0.6 mm	1	–	023632
6-10	Solder	13 mm	0.6 x 0.6 mm	1	–	024200
6-10	Solder	13 mm	0.6 x 0.6 mm	2	–	023631
						
16-8	Solder	4 mm	0.6 x 0.6 mm	1	–	594129
16-8	Solder	4 mm	0.6 x 0.6 mm	2	–	594130
16-8	Solder	13 mm	0.6 x 0.6 mm	2	–	594118
						
24-8	Solder	4 mm	0.6 x 0.6 mm	1	–	593781
24-8	Solder	4 mm	0.6 x 0.6 mm	2	–	593782
24-8	Solder	13 mm	0.6 x 0.6 mm	1	–	593769
24-8	Solder	13 mm	0.6 x 0.6 mm	2	–	593770

Ordering Information

No. of Pins	Termination	Term. Length	Pin Dimensions	Class	Pressfit Zone	Part Number
		4 mm	0.6 x 0.6 mm	1	–	594126
		4 mm	0.6 x 0.6 mm	2	–	594127
		13 mm	0.6 x 0.6 mm	1	–	594114
		13 mm	0.6 x 0.6 mm	2	–	594115
		4 mm	0.6 x 0.6 mm	1	–	593778
		4 mm	0.6 x 0.6 mm	2	–	593779
		13 mm	0.6 x 0.6 mm	1	–	593766
		13 mm	0.6 x 0.6 mm	2	–	593767
		4 mm	0.6 x 0.6 mm	1	–	594123
		4 mm	0.6 x 0.6 mm	2	–	594124
		13 mm	0.6 x 0.6 mm	2	–	594112

DIN 41612 / IEC 60603-2 Connectors

Type M Female



Ordering Information

No. of Pins	Termination	Term. Length	Pin Dimensions	Class	Pressfit Zone	Part Number
60-4	Solder	4 mm	0.6 x 0.6 mm	1	–	593775
60-4	Solder	4 mm	0.6 x 0.6 mm	2	–	593776
60-4	Solder	13 mm	0.6 x 0.6 mm	1	–	593763
60-4	Solder	13 mm	0.6 x 0.6 mm	2	–	593764
52-2	Solder	4 mm	0.6 x 0.6 mm	2	–	594121
52-2	Solder	13 mm	0.6 x 0.6 mm	2	–	594109
78-2	Solder	4 mm	0.6 x 0.6 mm	1	–	593772
78-2	Solder	4 mm	0.6 x 0.6 mm	2	–	593773
78-2	Solder	13 mm	0.6 x 0.6 mm	1	–	593760
78-2	Solder	13 mm	0.6 x 0.6 mm	2	–	593761