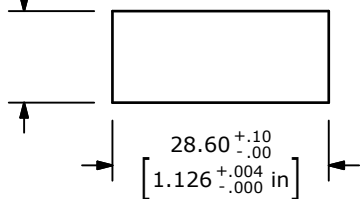
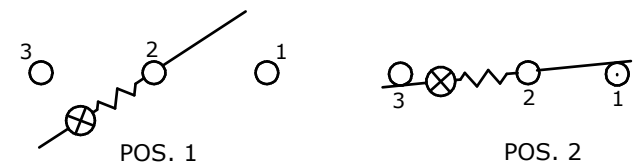


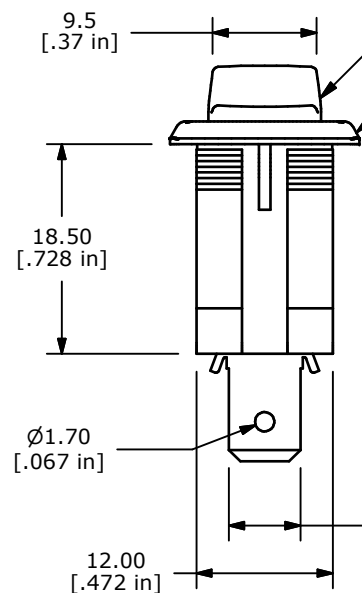
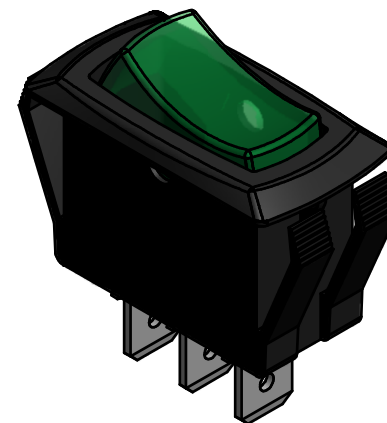
12.10 ^{+0.10}_{-.00}
[.476 ^{+0.004}_{-.000} in]



SUGGESTED PANEL CUTOUT

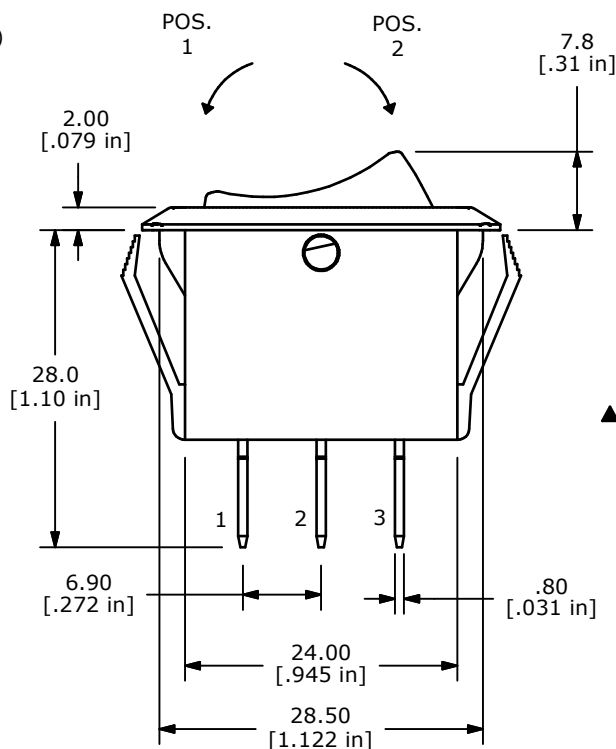


CIRCUIT: SPST
OFF - ON



GREEN ACTUATOR
(FULL ILLUMINATION)

BLACK HOUSING



NOTES:

1. ALL DIMENSIONS IN MM [INCH]
2. GENERAL TOLERANCE: X.X=±0.4
X.XX=±0.25
3. TERM. NOS. FOR REF. ONLY
- ▲ 4. RATING: 20A 125/250VAC (UL/CUL)
16(4) 250V~T85/55 (VDE/ENEC)
20(8)A 250X~ T125/55
5. MATERIAL:
CONTACT SURFACE: SILVER PLATED COPPER
CIRCUIT TERMINAL: BRASS ALLOY w/SILVER PLATE
LED TERMINAL: BRASS
6. ELECTRICAL LIFE: 10,000 CYCLES MIN.
7. CONTACT RESISTANCE: 20 Milli-OHMS MAX.
8. OPERATING TEMP: -20°C TO 85°C
9. DIELECTRIC STRENGTH: >1,000V AC 1MIN
10. LAMP VOLTAGE: 125V NEON BULB
11. ▲ DENOTES CRITICAL PARAMETER.
12. 2002/95/EC (ROHS) COMPLIANT.



TITLE RSC441D1000-136

A	21495	INITIAL RELEASE	6/26/14	EBP
REV	PCR NO	DESCRIPTION	DATE	BY

THE INFORMATION CONTAINED IN THIS DOCUMENT IS PROPRIETARY TO E-SWITCH AND IS NOT TO BE COPIED OR TRANSFERRED

SCALE	DATE	DR	DWG	REV
	6/26/2014	EBP	14-RSC441D1000136	A