

LD160011A/B Series – 12 inch Large Assembly 7 Segment LED Display



ATTENTION
OBSERVE PRECAUTIONS
FOR HANDLING
ELECTROSTATIC
DISCHARGE
SENSITIVE
DEVICES



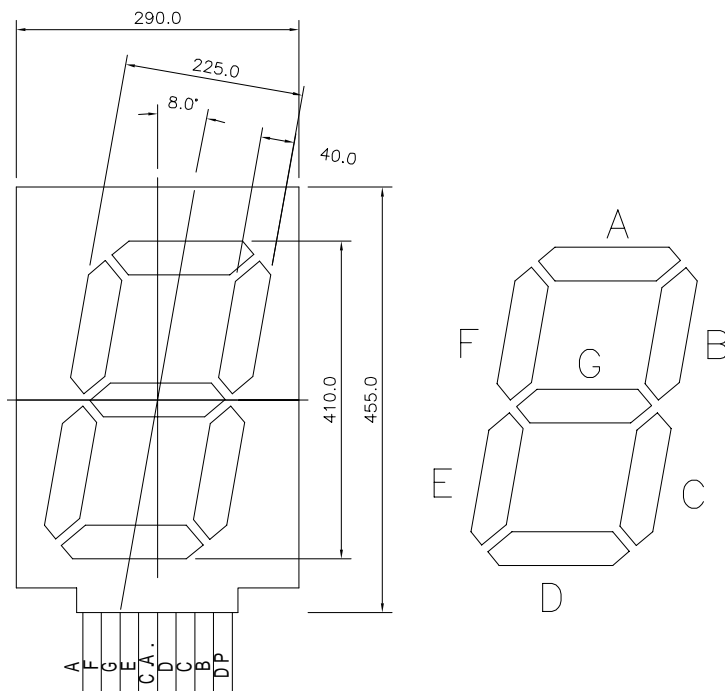
Features

- 410 mm (16 inch) digit high
- Excellent digit appearance
- Wide viewing angle
- Range of emitted colors
- I.C. compatible
- Low power consumption
- White segment
- RoHS compliant

Available options

- Alternative emitting luminosity:
Standard or high brightness version
- Alternative emitted color
- Alternative segment color
- Alternative font
- Both CA and CC versions are available
- Cropped terminal pins

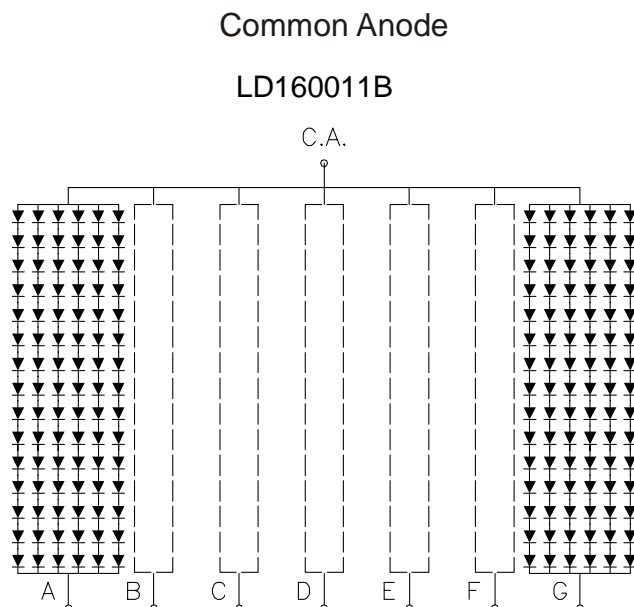
Package Dimensions



Notes:

1. All dimensions are in millimeters(inches), Tolerance is $\pm 0.25\text{mm}(0.01\text{inch})$ unless other wise noted.
2. Specifications are subject to change without notice.
3. The gap between the reflector and PCB shall not exceed 0.25mm.

Internal Circuit Diagram



Selection Guide (Ta = 25 °C)

Single Digit 7 Segment LED Display, Digit Height: 410.00mm(16inch), External Dimensions: 455.00x290.00mm (LxWmm)						
Part No.		Chip			I _v @I _F =120mA	
Common Cathode	Common Anode	Material	Color	WLD	One Seg	
					Min.	Typ.
LD160011AR	LD160011BR	GaAlAs	Super Red	640	540	675
LD160011AD	LD160011BD	GaAlAs	Hi-Red	640	1215	1688
LD160011AO	LD160011BO	GaAsP	Orange	625	472.5	607.5
LD160011AY	LD160011BY	GaAsP	Yellow	588	540	675
LD160011AG	LD160011BG	GaP	Green	568	472.5	607.5
LD160011AUR	LD160011BUR	AlGaInP	Ultra Red	640	2025	3038
LD160011AUO	LD160011BUO	AlGaInP	Ultra Orange	625	3037.5	4050
LD160011AUA	LD160011BUA	AlGaInP	Ultra Amber	605	2025	3038
LD160011AUY	LD160011BUY	AlGaInP	Ultra Yellow	595	2025	3038
LD160011AUG	LD160011BUG	AlGaInP	Ultra Green	573	2025	3038
LD160011APG	LD160011BPG	InGaN	Pure Green	525	8100	20250
LD160011AUB	LD160011BUB	InGaN	Ultra Blue	470	2025	3038
LD160011AUW	LD160011BUW	SMD	Ultra White	\	6750	8100
Unit:	\	\	\	nm	mcd	mcd

Electrical Characteristics & Absolute Maximum Ratings

Color		Electrical optical Characteristics ^[1]			Absolute Maximum Ratings ^[1]		
		Forward Voltage@ I _F =20mA		Reverse Current V _R =5V	Power Dissipation	DC Forward Current	Peak Forward Current ^[2]
		Typ.	Max.				
Super Red	Per Seg.	27	33	110	5400	150	600
Hi-Red	Per Seg.	27	33	110	5400	150	600
Orange	Per Seg.	31.5	37.5	110	7200	180	600
Yellow	Per Seg.	31.5	37.5	110	7200	180	600
Green	Per Seg.	33	37.5	110	7200	180	600
Ultra Red	Per Seg.	28.5	39	110	5400	180	600
Ultra Orange	Per Seg.	30	39	110	5850	180	600
Ultra Amber	Per Seg.	30	39	110	5850	180	600
Ultra Yellow	Per Seg.	30	39	110	5850	180	600
Ultra Green	Per Seg.	31.5	39	110	6750	180	600
Pure Green	Per Seg.	52.5	60	110	9900	180	600
Ultra Blue	Per Seg.	52.5	60	110	10800	180	600
Ultra White	Per Seg.	52.5	60	110	10800	180	600
Unit:	\	V	V	uA	mW	mA	mA

Notes:

1. At Ta = 25 °C.
2. Peak forward current at 1/10 Duty Cycle, 0.1ms Pulse.