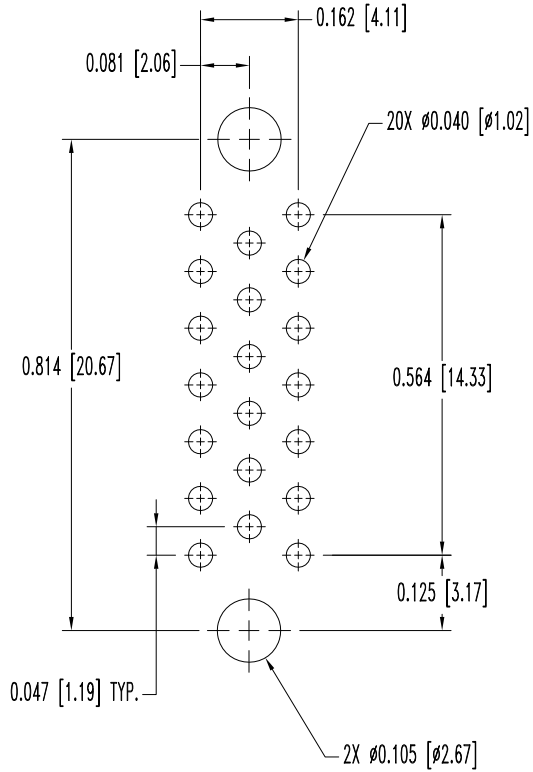
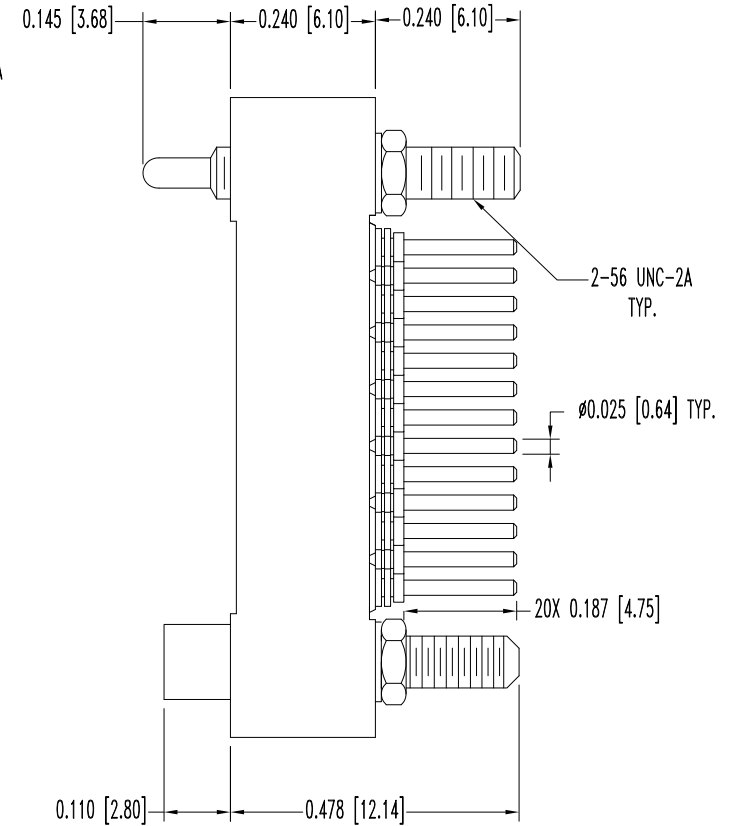
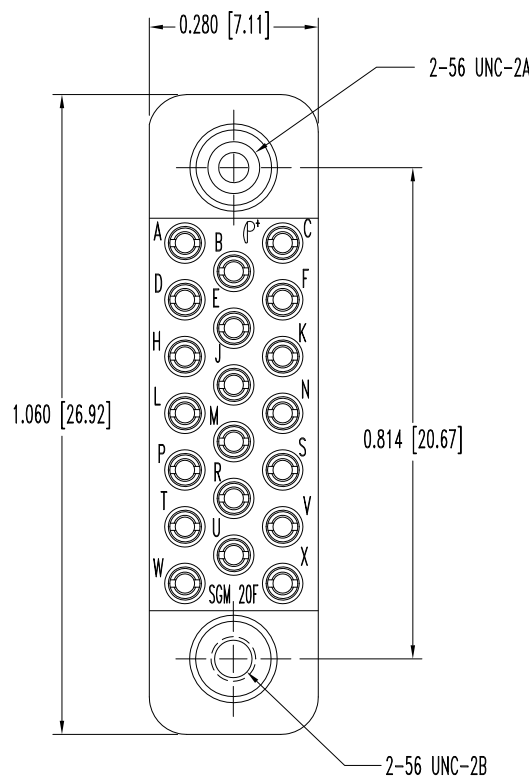


THIS DRAWING CONTAINS INFORMATION PROPRIETARY TO POSITRONIC AND ITS SUBSIDIARIES. POSITRONIC BELIEVES THE DATA ON THIS DRAWING TO BE RELIABLE, SINCE THE TECHNICAL INFORMATION IS GIVEN FREE OF CHARGE, THE USER EMPLOYS SUCH INFORMATION AT HIS OWN DISCRETION AND RISK. POSITRONIC ASSUMES NO RESPONSIBILITY FOR RESULTS OBTAINED OR DAMAGES INCURRED FROM USE OF SUCH INFORMATION IN WHOLE OR IN PART.

DATE	REV	REVISION RECORD	APP	DR	CK
4-02-09	NC	ECO 30870	RCW	BS	COLE



CONTACT HOLE PATTERN



NOTES:

- MATERIALS AND FINISHES:  
 INSULATOR: GLASS FILLED DAP PER ASTM-D-5948 TYPE SDG-F, COLOR GREY.  
 CONTACTS: COPPER ALLOY, 0.000015 [0.38µ] GOLD OVER NICKEL FINISH.  
 JACKSCREWS: STAINLESS STEEL, PASSIVATED.  
 HEX NUTS AND WASHERS: NYLON.
- ELECTRICAL CHARACTERISTICS:  
 CONTACT CURRENT RATING: 5 AMPS MAXIMUM.  
 INITIAL CONTACT RESISTANCE: 0.012 OHMS MAXIMUM.  
 INSULATION RESISTANCE: 5 G OHMS MINIMUM.  
 WORKING VOLTAGE: 250 V.AC [rms]
- WORKING TEMPERATURE: -55°C TO +135°C.
- DIMENSIONS ARE IN INCHES [MILLIMETERS].

	<b>POSITRONIC INDUSTRIES INC.</b> www.connectpositronic.com		FSCM 28198
	DECIMAL TOL. ±0.015 [0.38]	TITLE SGM SERIES	SCALE N.T.S.
ANGULAR TOL. ±5°	DATE 4-2-09	DRAWING NUMBER SK10488	APPROVED BY R WILLIAMS
SGM20FDS6T0000			