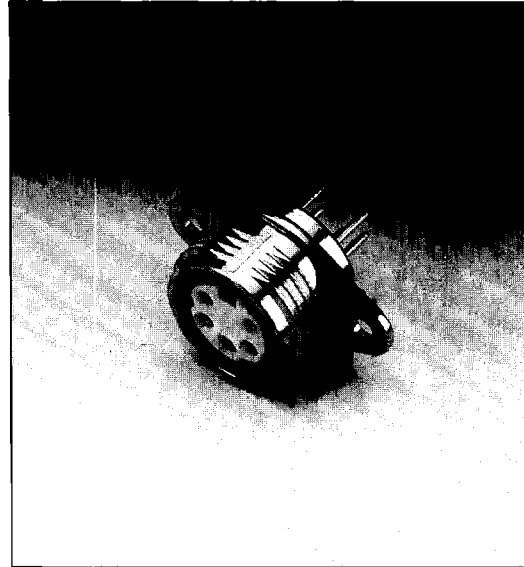
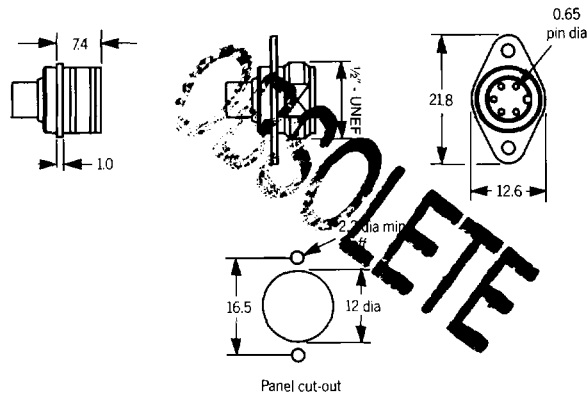


CHASSIS SOCKET

(ACCEPTS L3400/FP)

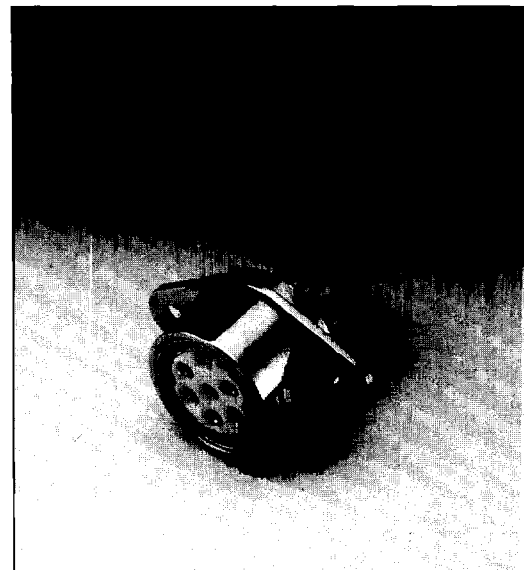
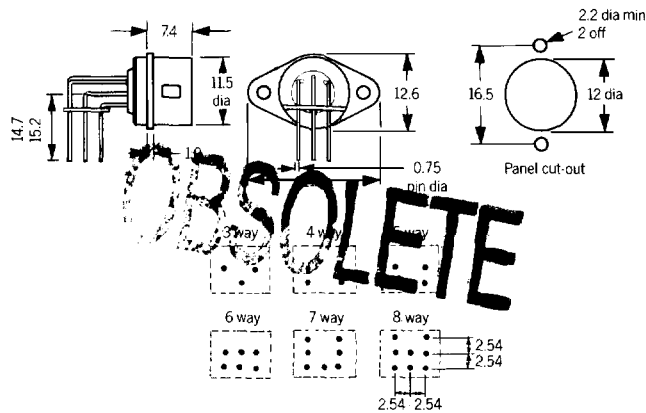


Part No L3400/■/CS

■ No of contacts

PRINTED CIRCUIT SOCKET

(ACCEPTS L3300/FP)

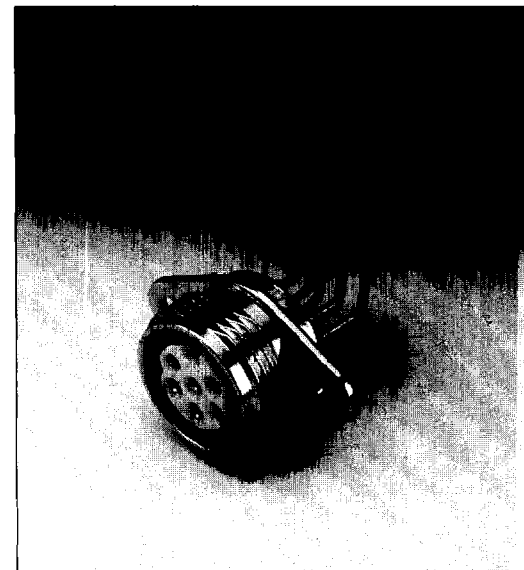
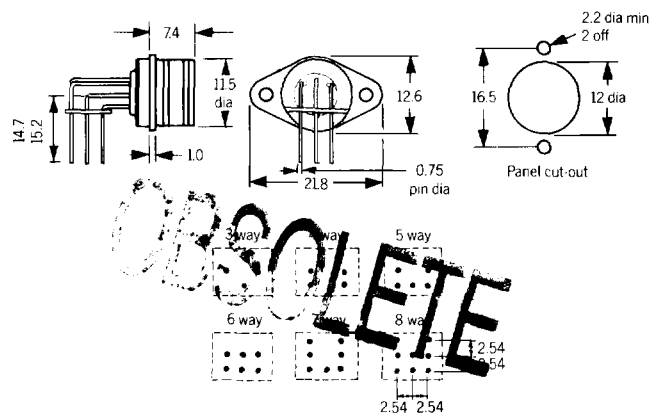


Part No L3300/■/PCRS

■ No of contacts

PRINTED CIRCUIT SOCKET

(ACCEPTS L3400/FP)



Part No L3400/■/PCRS

■ No of contacts