

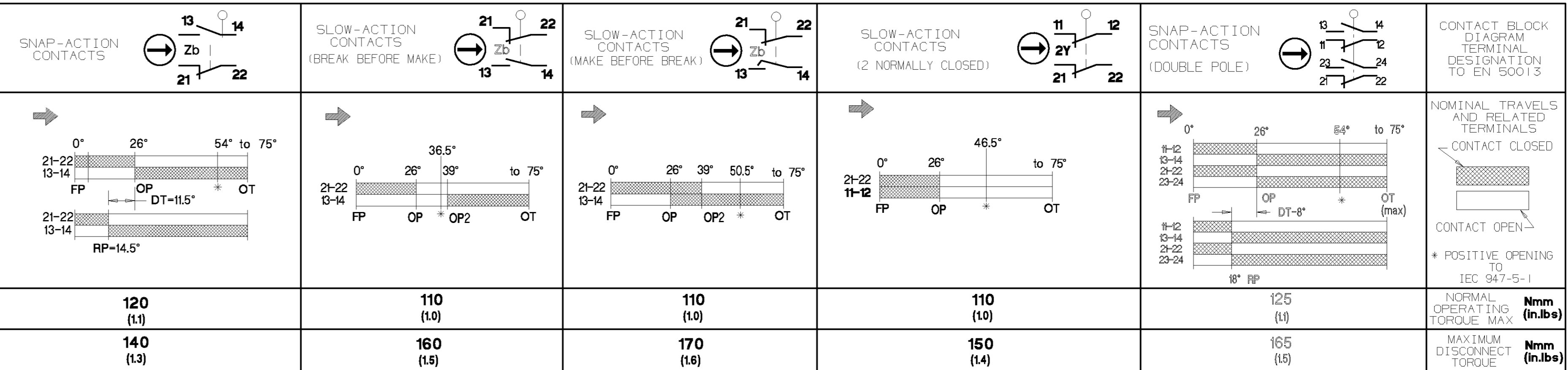
**MTG-GL-193**

REPLACES  
DRAWING NUMBER  
AO1B-185

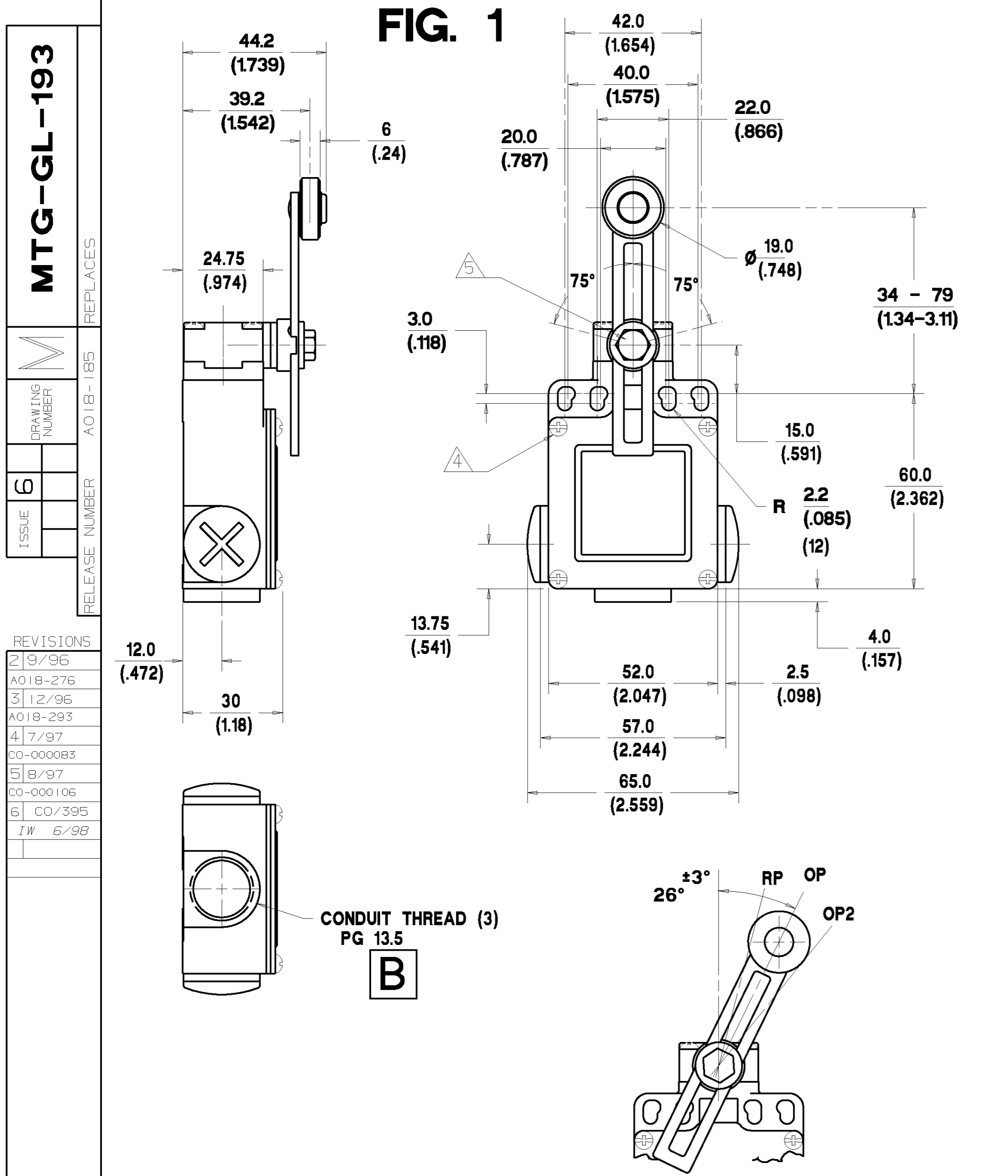
REVISIONS  
2 9/96  
AO1B-276  
3 12/96  
AO1B-293  
4 7/97  
CO-000085  
5 8/97  
CO-000106  
6 CO/395  
IW 6/98

**Honeywell** **LIMIT SWITCH**

CATALOGUE LISTING  
**GLS**  
CHART NO.  
**MTG-GL-193**



120 (1.1)	110 (1.0)	110 (1.0)	110 (1.0)	125 (1.1)	Nmm (In.lbs)
140 (1.3)	160 (1.5)	170 (1.6)	150 (1.4)	165 (1.5)	Nmm (In.lbs)



**NOTES:-**

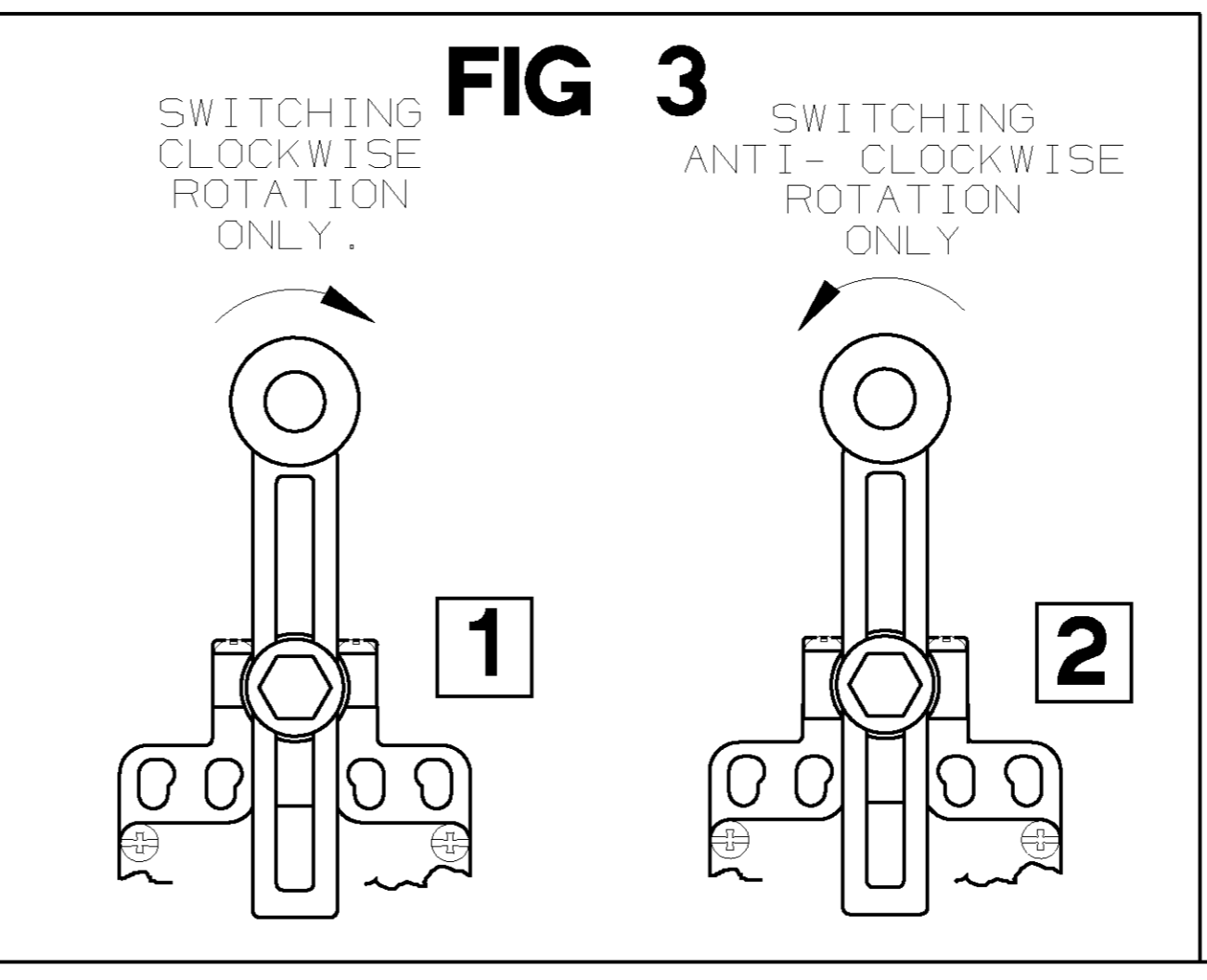
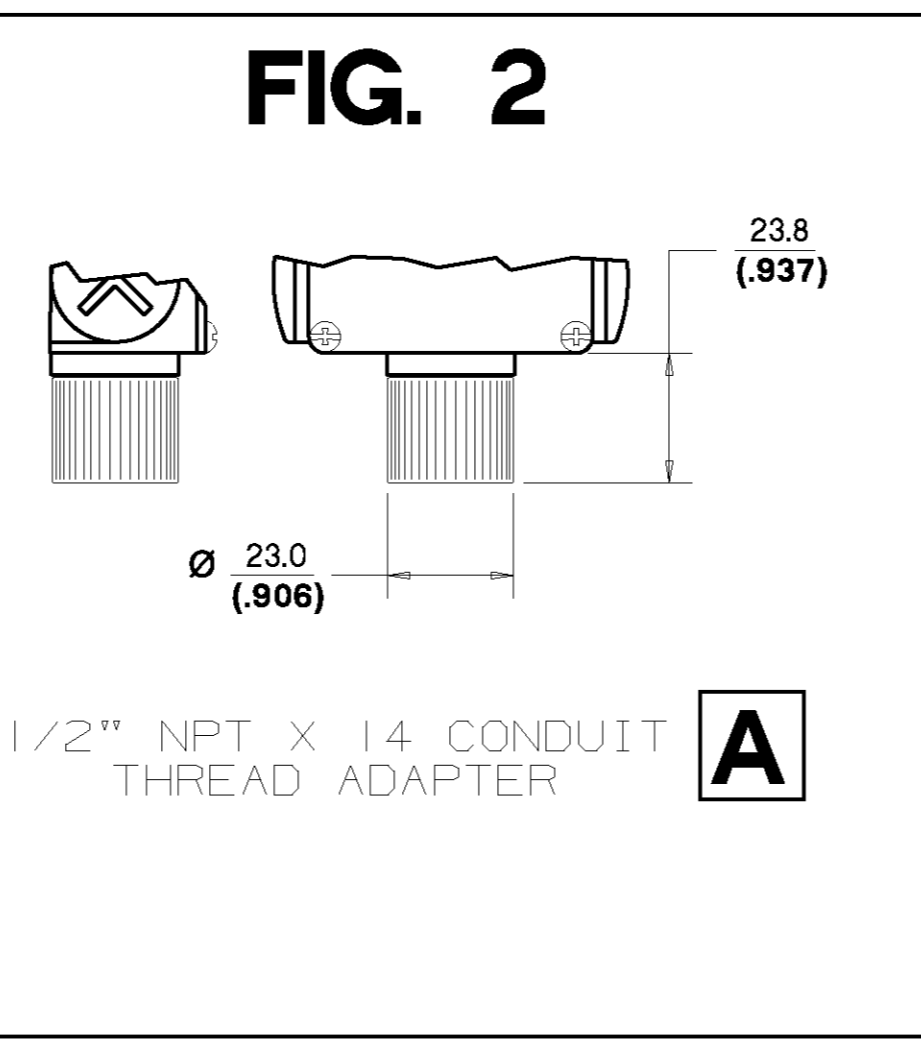
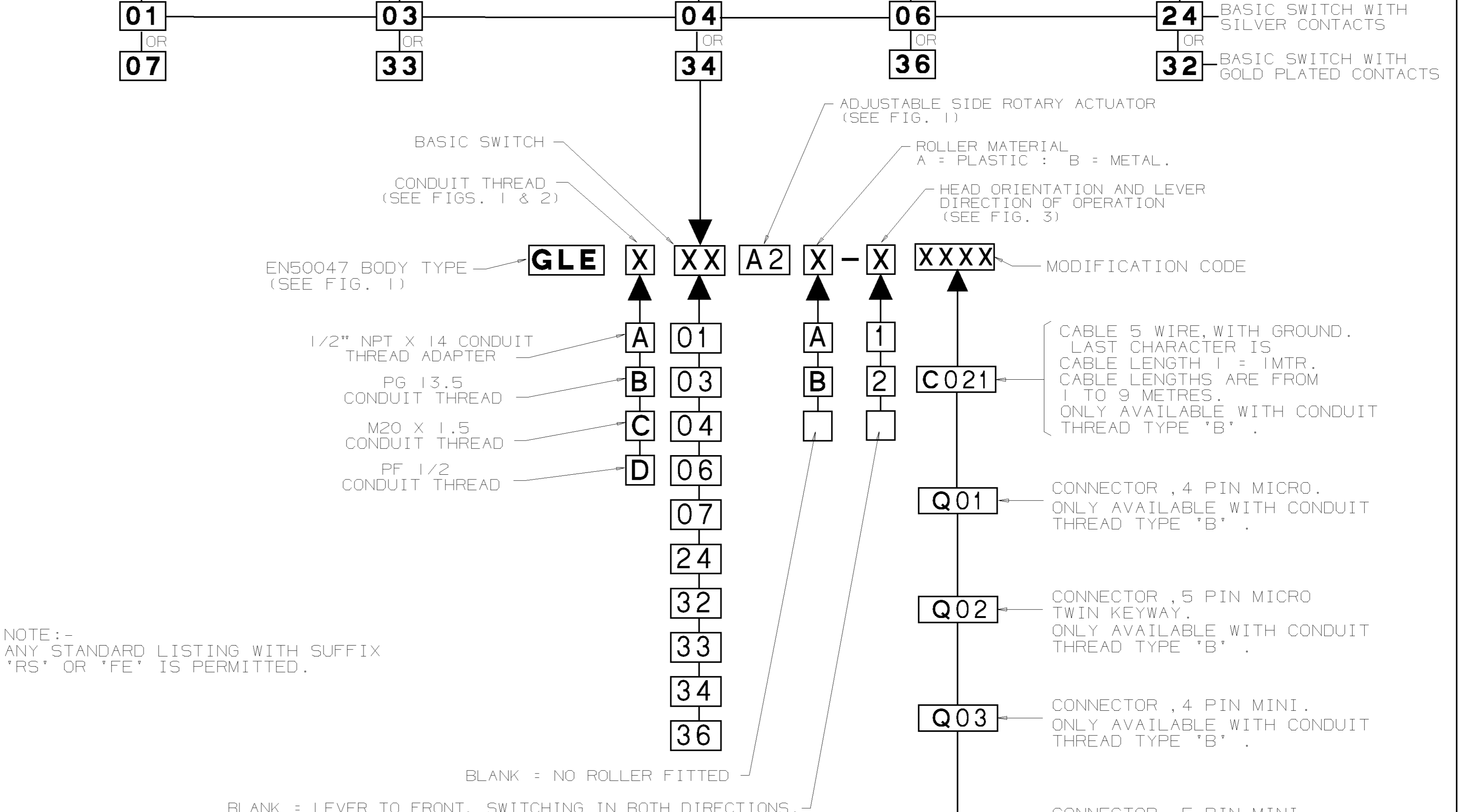
- ZINC DIECAST BODY AND HEAD WITH STEEL COVER. BODY AND COVER FINISHED IN MICRO SWITCH BLUE EPOXY PAINT. HEAD FINISHED IN BLACK EPOXY PAINT.
- MINIMUM OPERATING VELOCITY ( $V_{min}$ ) = 0.26 rad/s  
MAXIMUM OPERATING VELOCITY ( $V_{max}$ ) = 25 rad/s  
MAXIMUM OPERATING FREQUENCY ( $F_{max}$ ) = 250 OPS/MIN
- FREE POSITION (FP), OPERATING POINT (OP), OVERTRAVEL (OT) AND PRETRAVEL (PT) ALL TO EN50047.

⚠ MAXIMUM TIGHTENING TORQUE FOR FIXING SCREW = 0.5Nm (4.4in.LB)  
⚠ MAXIMUM TIGHTENING TORQUE FOR FIXING SCREW = 0.8Nm (7in.LB)

NO CHANGES CAN BE MADE TO THIS DRAWING WITHOUT JOINT NEWHOUSE/FREEPORT APPROVAL

STANDARD SILVER CONTACTS	GOLD PLATED CONTACTS	ENVIRONMENTAL		APPROVALS
ELECTRICAL RATING		ENVIRONMENTAL		  IEC 947-5-1 EN50047
AC	DC	IP66	NEMA 1, 4, 12, 13	
A300 AC15 Ue 1e	O300 DC13 Ue 1e	TEMP RANGE : -25°C TO 85°C -13°F TO 185°F		
VOLTS AMPS 120 6 240 3	VOLTS AMPS 125 0.55 250 0.27	STORAGE : -40°C TO 85°C -40°F TO 185°F		
I <sub>th</sub> = 10A		SHOCK : 50G PER IEC 68-2-27 VIBRATION : 10G PER IEC 68-2-6		
IV 10μA MIN. 50V 100mA MAX.		SCALE 1:1		

DIMENSIONS ARE IN MM/INCHES. MODIFY ON CAD SYSTEM ONLY



NOTE:- CABLE AND CONNECTOR WILL BE FITTED TO BOTTOM EXIT CONDUIT ONLY. OTHER OPTIONS CUSTOMER SPECIAL 'N' LISTING.