

### 25-Port Layer 2 Gigabit Ethernet Switch with 12 Fully Integrated Copper PHYs

Vitesse's next-generation switch device delivers the industry's lowest power GbE switching solution.

The VSC7422-04 is the industry's first fully integrated 25-port Gigabit Ethernet switch with 12 copper PHYs in a single package. In conjunction with Vitesse's 12-port VSC8512-03 or VSC8522-04, a 25-port switch can be designed using only two ICs.

The VSC7422-04 leverages Vitesse's 65 nm technology, resulting in one of the most cost-effective and lowest power consumption solutions in the industry. It includes the most advanced Ethernet energy efficiency features for bringing green technology solutions to market.

A rich set of Ethernet switching features, such as Layer 2 forwarding with VLAN and QoS processing, enables the delivery of differentiated services. The VSC7422-04 device contains an 8051 CPU for light management of the switch.

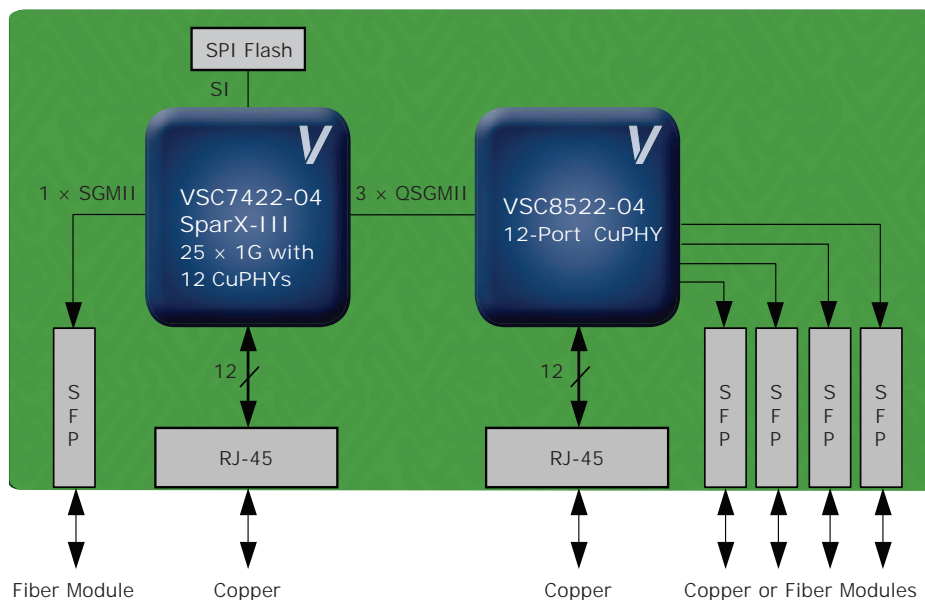
A comprehensive application software package is provided for LED control, loop indication, device overheat protection, and other enhanced functions.

#### Highlights

- Supports IEEE 802.3az and green energy efficiency modes with ActiPHY™ and PerfectReach™
- Lowest BOM solution requires only one IC
- Three QSGMII MAC interface and one SGMII ports with 100 Mbps and 1 Gbps fiber support

#### Applications

- Unmanaged and Lightly Managed Ethernet switches
- Industrial switches and routers
- Customer premises equipment (CPE) and outdoor equipment
- VPN, firewall, and UTM appliances



VSC7422-04 in a 25-port 1-Gigabit industrial switch application

## Best-in-Class Power Consumption

- Lowest power 25-port Gigabit Ethernet switch available in the market
- Green energy efficiency modes including ActiPHY™, PerfectReach™, and Draft IEEE 802.3az
- Two ICs reduce overall power requirements
- Optimal power consumption for all link speeds

## Features

- Twelve integrated IEEE 802.3ab-compliant 10/100/1000BASE-T Ethernet copper transceivers with VeriPHY™ cable diagnostics
- 12 × CuPHY + 3× QGMII + 1 × 1G/2.5G SGMII
- Integrated 250 MHz 8051 CPU with 64 KB internal storage
- Serial interface for external CPU register access
- Device overheat protection
- Hardware loop detection
- Integrated fan controller
- 8 K MAC addresses and 4 K VLAN support
- Push/pop VLAN tag
- Supports IEEE 1149.1 JTAG boundary scan, IEEE 1149.6 JTAG, 1 Gbps SGMII, and 100BASE-FX and 1000BASE-X

## Layer 2 Switching

- 25-port Gigabit Ethernet switch with nonblocking wire-speed performance
- Link aggregation (IEEE 802.3ad) with programmable traffic distribution based on Layer 2 through Layer 4 information
- Wire-speed hardware-based learning and CPU-based learning configurable per port
- Independent and shared VLAN learning
- Jumbo frame support up to 12.2 kilobytes with per-port programmable MTU
- Provider Bridging (VLAN Q-in-Q) support (IEEE 802.1ad)
- 4 megabits of integrated shared packet memory

## QoS

- Eight QoS queues per port with strict or deficit-weighted round robin scheduling
- QoS classification based on IEEE 802.1p and IPv4/IPv6 DSCP
- Data rate shaper and policer per-queue, per-port for both ingress and egress directions
- Full-duplex flow control (IEEE 802.3x) and half-duplex backpressure, symmetric and asymmetric
- Multicast and broadcast storm control with flooding control

## Key Specifications

- 1 V core power supply
- 2.5 V I/O power supplies
- 24 mm × 24 mm thin QFP package
- -40 °C to 125 °C temperature range

## Related Vitesse Products

Visit [www.vitesse.com](http://www.vitesse.com) for information about these related Vitesse products:

- Ethernet switches
- 1G copper PHYs

