

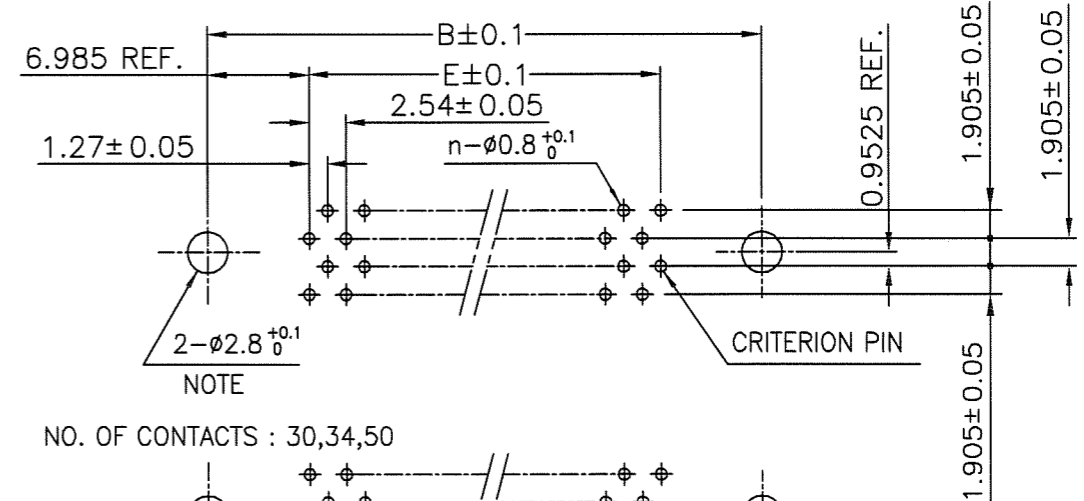
PRODUCT NO.

JSC 97414

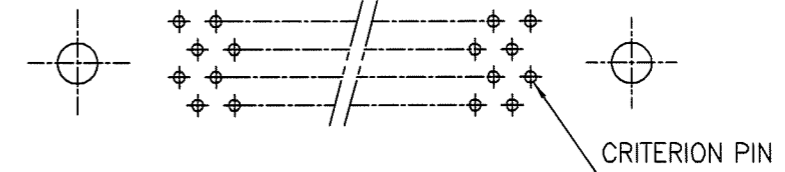
RECOMMENDED PC BOARD

THICKNESS : 1.6 ±0.2
HOLE PATTERN (COMPONENT SIDE)

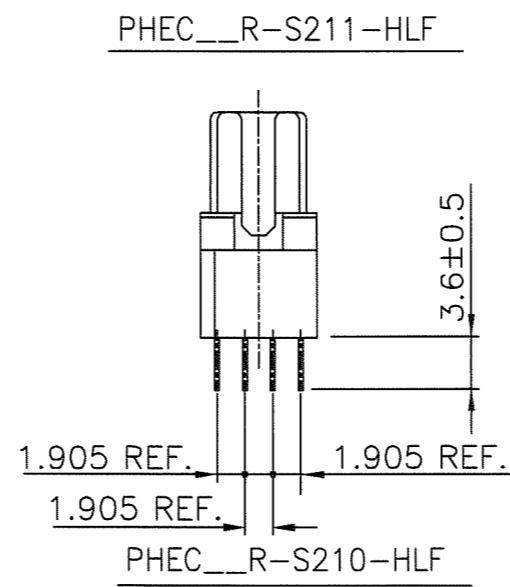
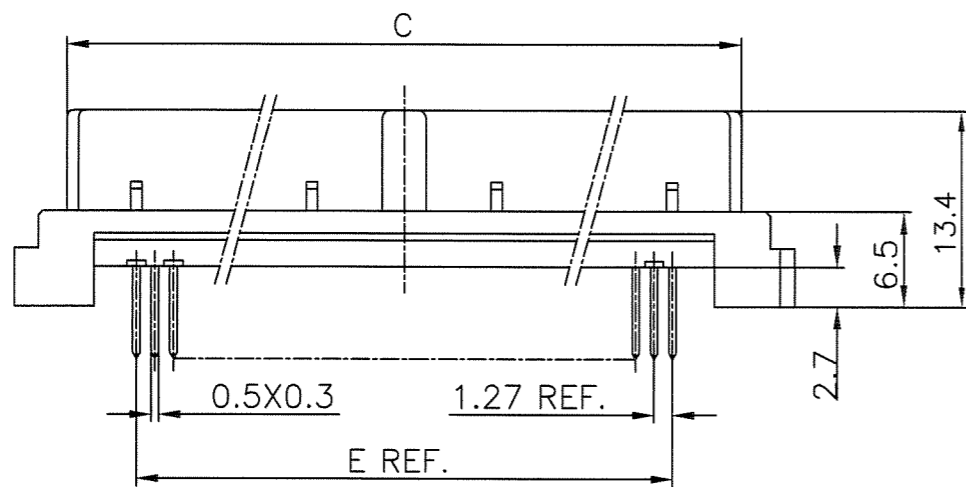
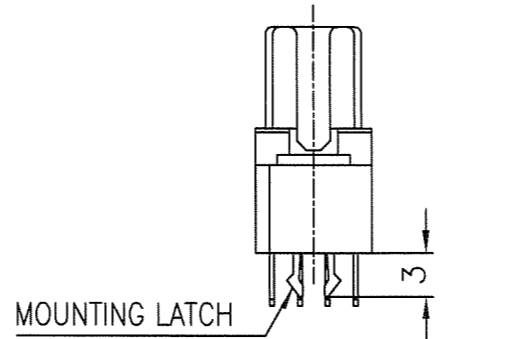
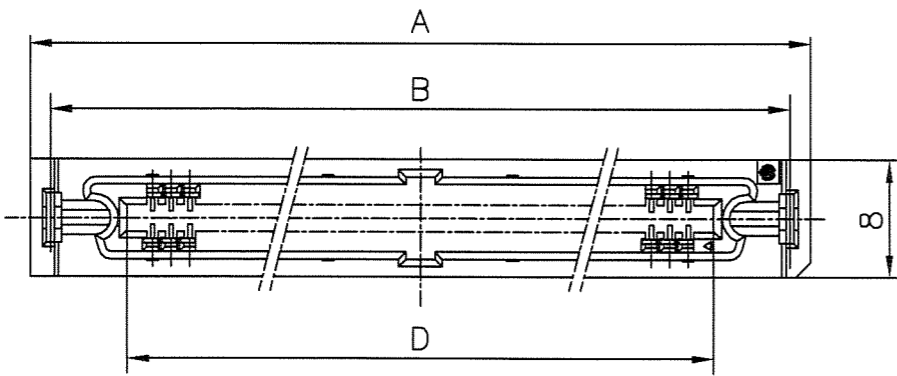
NO. OF CONTACTS : 40,60,68,80,100 (n : NO. OF CONTACTS)



NO. OF CONTACTS : 30,34,50

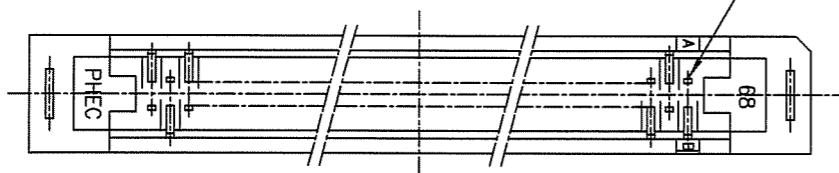


NOTE : THROUGH-HOLES FOR MOUNTING LATCHES ALSO SHOULD BE PLATED.

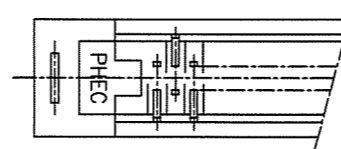


NO. OF CONTACT : 40,60,68,80,100

CRITERION PIN



NO. OF CONTACTS : 30,34,50



NOTES

1. BODY MATERIAL : PBT GLASS FILLED (UL94V-0), COLOR BLACK
2. TERMINAL MATERIAL : PHOSPHOR BRONZE
3. MOUNTING LATCH MATERIAL : PHOSPHOR BRONZE
4. TERMINAL FINISH
CONTACT AREA : GOLD FLASH 0.25µm min. OVER NICKEL UNDERLAYER
SOLDER TAILS : PURE Sn 2µm min. OVER NICKEL UNDERLAYER
5. MOUNTING LATCH FINISH : PURE Sn 2µm min. OVER NICKEL UNDERLAYER
6. THIS PRODUCT MEETS EUROPEAN UNION DIRECTIVES AND OTHER COUNTRY REGULATIONS AS DESCRIBED IN GS-22-008
7. THE HOUSING WILL WITHSTAND EXPOSURE TO 260 DEGREE PEAK TEMPERATURE FOR 10 SECONDS IN A WAVE SOLDER APPLICATION WITH A 1.6mm MINIMUM THICK CIRCUIT BOARD.

CAT.NO.	NUMBER OF CONTACT (MATING SIDE)	DIMENSION				
		A	B	C	D	E
PHEC30R-S21_-HLF	15/ROWX2ROW	34.55	31.75	27.26	21.26	17.78
PHEC34R-S21_-HLF	17/ROWX2ROW	37.09	34.29	29.8	23.8	20.32
PHEC40R-S21_-HLF	20/ROWX2ROW	40.9	38.1	33.61	27.61	24.13
PHEC50R-S21_-HLF	25/ROWX2ROW	47.25	44.45	39.96	33.96	30.48
PHEC60R-S21_-HLF	30/ROWX2ROW	53.6	50.8	46.31	40.31	36.83
PHEC68R-S21_-HLF	34/ROWX2ROW	58.68	55.88	51.39	45.39	41.91
PHEC80R-S21_-HLF	40/ROWX2ROW	66.3	63.5	59.01	53.01	49.53
PHEC100R-S21_-HLF	50/ROWX2ROW	79.0	76.2	71.71	65.71	62.23

mat'l. code		surface ISO 1302		tolerance ISO 406 ISO 1101		projection		product family 581F PHEC		CODE JP	
ltr description		ecn no		dr date		tolerances unless otherwise specified		title		PRINTED CIRCUIT CONNECTOR (CAT. NO. PHEC __ R-S21_-HLF)	
A REVISED		J08-0181		S.W 4/22/08		angles linear		MM		sheet 1 of 1 size	
						0°±2'		scale N/A		A3	
				dr S.Watanabe 4/22/08				FCJ		sheet 1 of 1 size	
				enr S.Watanabe 4/22/08						JSC 97414	
				chr S.Watanabe 2008-4-23						type Customer Drawing	
				appd S.Watanabe 2008-4-23						Rev. A	
sheet index		revision sheet		A 1							