
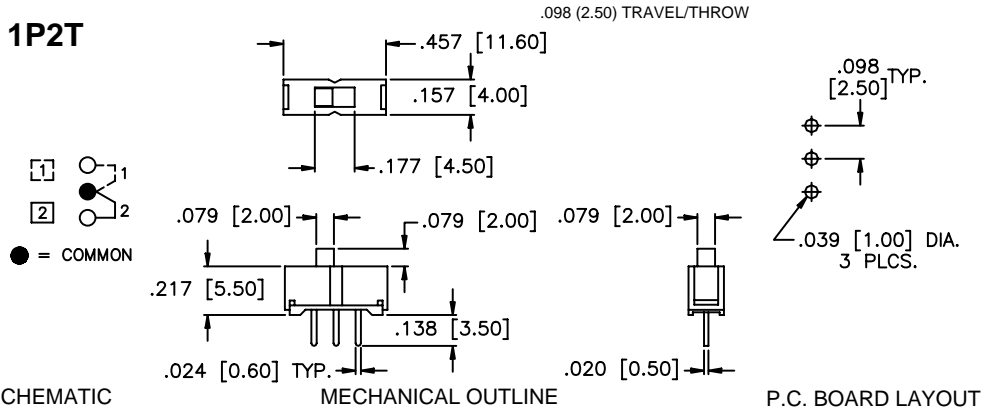

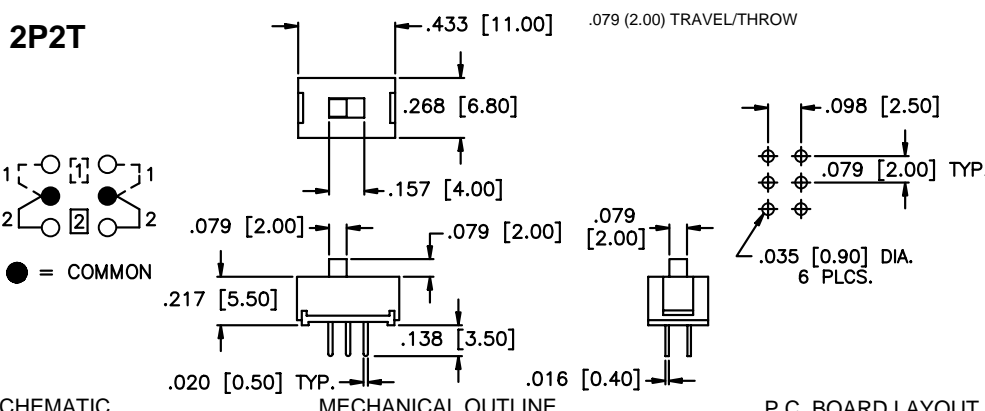

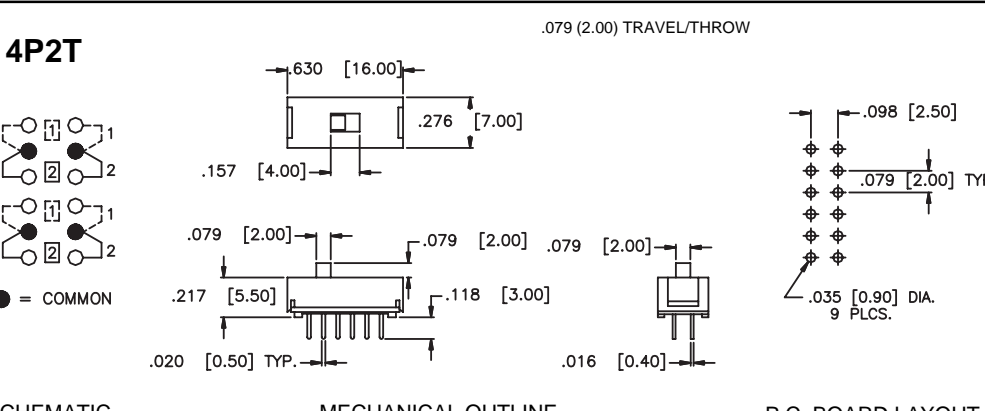

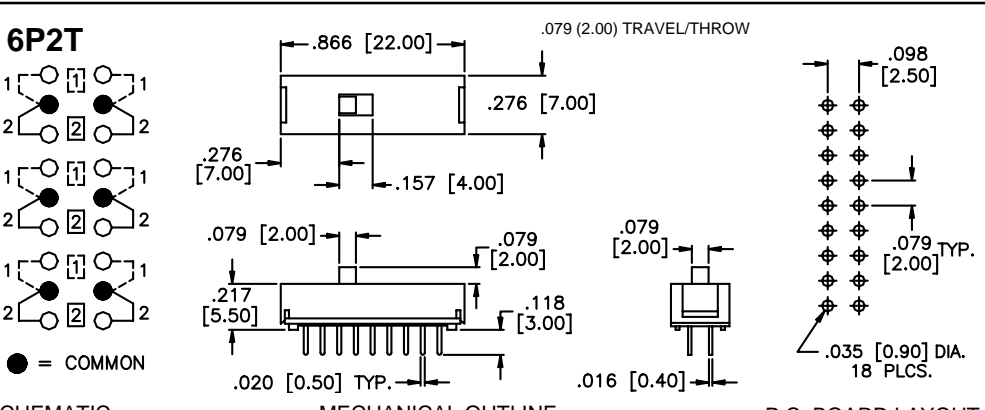


# MMS Series

## Microminiature Slide Switches

SPECIFICATIONS SUBJECT TO CHANGE WITHOUT NOTICE

<p><b>MODEL NO.</b></p> <p><b>MMS1208</b></p>  <p>VERTICAL ACTUATOR</p>	<p><b>1P2T</b> <span style="float: right;">.098 (2.50) TRAVEL/THROW</span></p>  <p>SCHEMATIC      MECHANICAL OUTLINE      P.C. BOARD LAYOUT</p>
<p><b>MODEL NO.</b></p> <p><b>MMS2214</b></p>  <p>VERTICAL ACTUATOR</p>	<p><b>2P2T</b> <span style="float: right;">.079 (2.00) TRAVEL/THROW</span></p>  <p>SCHEMATIC      MECHANICAL OUTLINE      P.C. BOARD LAYOUT</p>
<p><b>MODEL NO.</b></p> <p><b>MMS42</b></p>  <p>VERTICAL ACTUATOR</p>	<p><b>4P2T</b> <span style="float: right;">.079 (2.00) TRAVEL/THROW</span></p>  <p>SCHEMATIC      MECHANICAL OUTLINE      P.C. BOARD LAYOUT</p>
<p><b>MODEL NO.</b></p> <p><b>MMS6202</b></p>  <p>VERTICAL ACTUATOR</p>	<p><b>6P2T</b> <span style="float: right;">.079 (2.00) TRAVEL/THROW</span></p>  <p>SCHEMATIC      MECHANICAL OUTLINE      P.C. BOARD LAYOUT</p>