



MICROPROCESSOR COMPATIBLE SCHMITT TRIGGER OPTICALLY COUPLED ISOLATOR

APPROVALS

- UL recognised, File No. E91231

DESCRIPTION

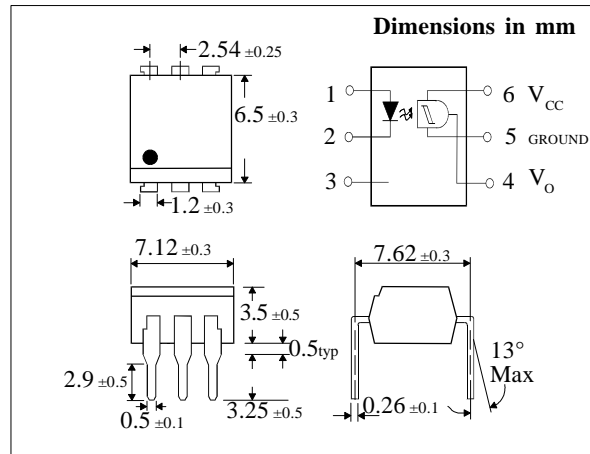
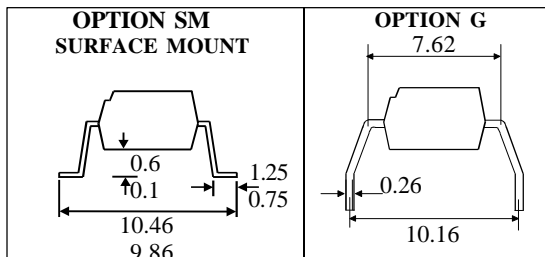
The IS900 optically coupled isolator consists of a Gallium Arsenide infrared emitting diode and a Microprocessor Compatible Schmitt trigger output mounted in a standard 6 pin dual in line package.

FEATURES

- Options :-
10mm lead spread - add G after part no.
Surface mount - add SM after part no.
Tape&reel - add SMT&R after part no.
- High data rate, 1MHz typical (NRZ)
- Microprocessor compatible drive
- Logic compatible output sinks 16 milliamperes at 0.4 volts maximum
- High Isolation Voltage ($5.3kV_{RMS}, 7.5kV_{PK}$)
- High common mode rejection ratio
- Fast switching : $t_{rise}, t_{fall} = 100nS$ typical
- Wide supply voltage capability, compatible with all popular logic systems
- Guaranteed On / Off threshold hysteresis

APPLICATIONS

- Logic to logic isolator
- Line receiver-eliminates noise and transient problems
- Programmable current level sensor
- AC to TTL conversion - square wave shaping
- Digital programming of power supplies
- Interfaces computers with peripherals



ABSOLUTE MAXIMUM RATINGS (25°C unless otherwise specified)

Storage Temperature _____ -40°C to +125°C
Operating Temperature _____ -25°C to +85°C
Lead Soldering Temperature
(1/16 inch (1.6mm) from case for 10 secs) 260°C

INPUT DIODE

Forward Current, I_F _____ 50mA
Peak forward current
(Pulse width $\leq 100\mu S$, Duty ratio=0.001) — 1A
Reverse Voltage, V_R _____ 6V
Power Dissipation
(derate linearly 1.41mW / °C above 25°C) — 70mW

OUTPUT DETECTOR

Output Voltage, V_{CC} _____ 16V
Supply Voltage, V_{OH} _____ 16V
Output current, I_{OL} _____ 50mA
Power Dissipation
(derate linearly 2mW / °C above 25°C) — 150mW

POWER DISSIPATION

Total Power Dissipation
(derate linearly 2.94mW / °C above 25°C) — 170mW

ISOCOM COMPONENTS LTD
Unit 25B, Park View Road West,
Park View Industrial Estate, Brenda Road
Hartlepool, Cleveland, TS25 1YD
Tel: (01429) 863609 Fax: (01429) 863581

ISOCOM INC
1024 S. Greenville Ave, Suite 240,
Allen, TX 75002 USA
Tel: (214) 495-0755 Fax: (214) 495-0901
e-mail info@isocom.com
http://www.isocom.com

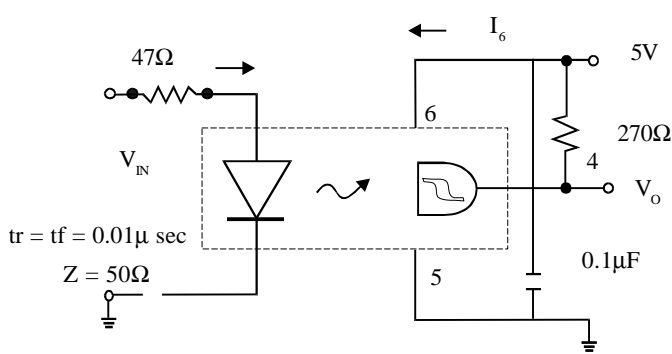
ELECTRICAL CHARACTERISTICS ($T_A = 25^\circ\text{C}$ Unless otherwise noted)

PARAMETER		MIN	TYP	MAX	UNITS	TEST CONDITION
Input	Forward Voltage (V_F)	0.7	1.0		V	$I_F = 0.3\text{mA}$
	Forward Voltage (V_F)		1.1	1.4	V	$I_F = 4\text{mA}$
	Reverse Current (I_R)			10	μA	$V_R = 3\text{V}$
	Reverse Breakdown Voltage (V_R)	3.0			V	$I_R = 10\mu\text{A}$
Output	Operating Voltage Range (V_{CC})	3		15	V	
	Supply Current I_6 (off)			5	mA	$I_F = 0\text{mA}, V_{CC} = 5\text{V}$
	Output Current High (I_{OH})			100	μA	$I_F = 0\text{mA}, V_{CC} = V_o = 15\text{V}$
Coupled	Supply Current I_6 (on)			5	mA	$I_F = 4\text{mA}, V_{CC} = 5\text{V}$
	Output Voltage, Low (V_{OL})			0.4	V	$I_{OL} = 16\text{mA}, I_F = 4\text{mA}, V_{CC} = 5\text{V}$
	Turn-on Threshold Current I_F (on)		1.1	2.0	mA	$R_L = 280\Omega, V_{CC} = 5\text{V}, T_A = 25^\circ\text{C}$
				4.0	mA	$R_L = 280\Omega, V_{CC} = 5\text{V}$
	Turn-off Threshold Current I_F (off)	0.3			mA	$R_L = 270\Omega, V_{CC} = 5\text{V}$
	Hysteresis Ratio I_F (off) / I_F (on)	0.5		0.9		
	Input to Output Isolation Voltage V_{ISO}	5300			V_{RMS}	See note 1
		7500			V_{PK}	See note 1
	High to Low (tPHL)		1	3	μs	$T_A = 25^\circ\text{C}$
	Fall Time (tf)			0.5	μs	$V_{CC} = 5\text{V}$
Low to High (tPLH)		2	6	μs	$I_F = 4\text{mA}$	
Rise Time (tr)			0.5	μs	$R_L = 280\Omega$	

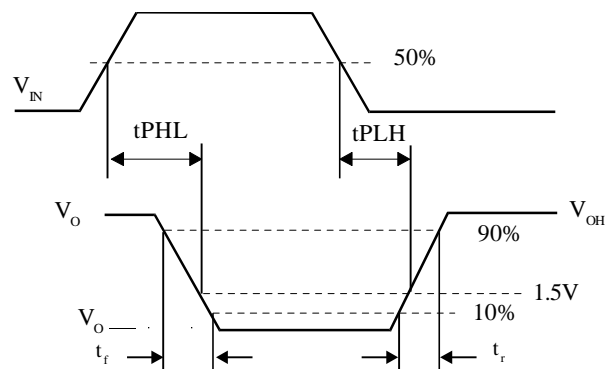
Note 1 Measured with input leads shorted together and output leads shorted together.

Note 2 Special Selections are available on request. Please consult the factory.

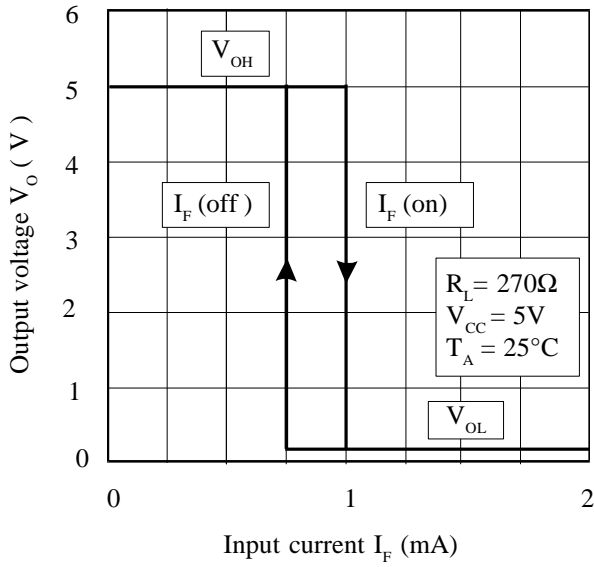
SWITCHING CHARACTERISTICS



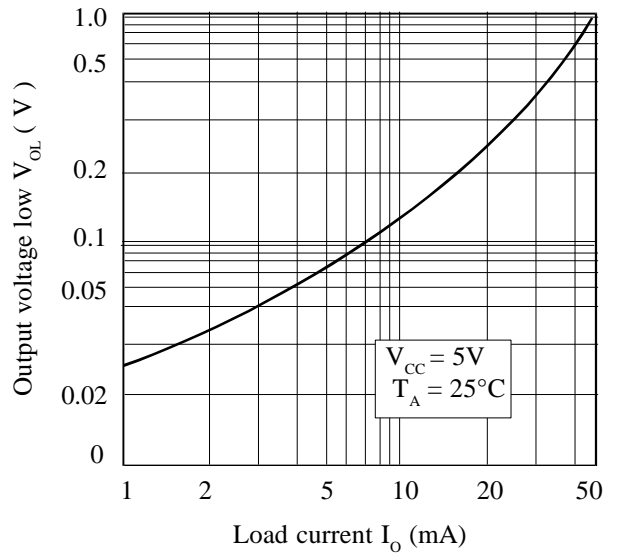
SWITCHING TEST CIRCUIT



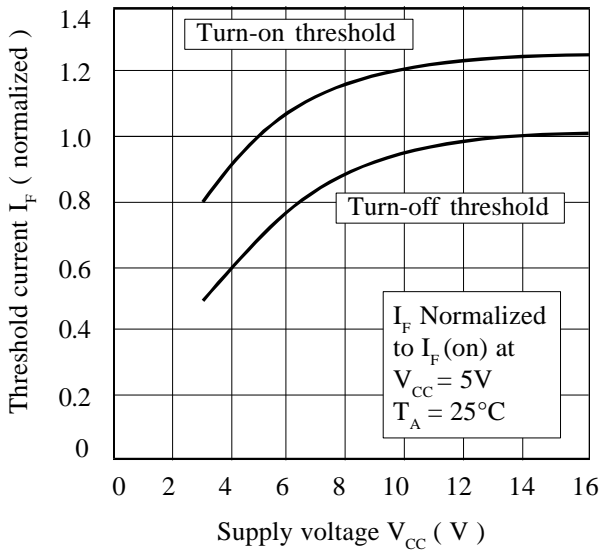
Transfer Characteristics



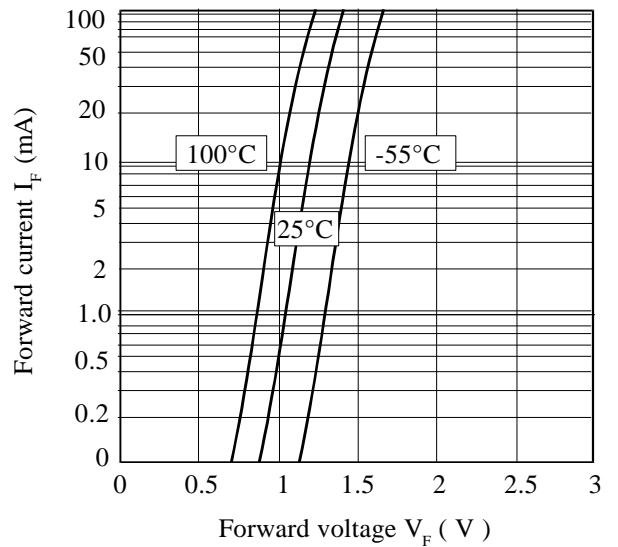
On Voltage vs. Load Current



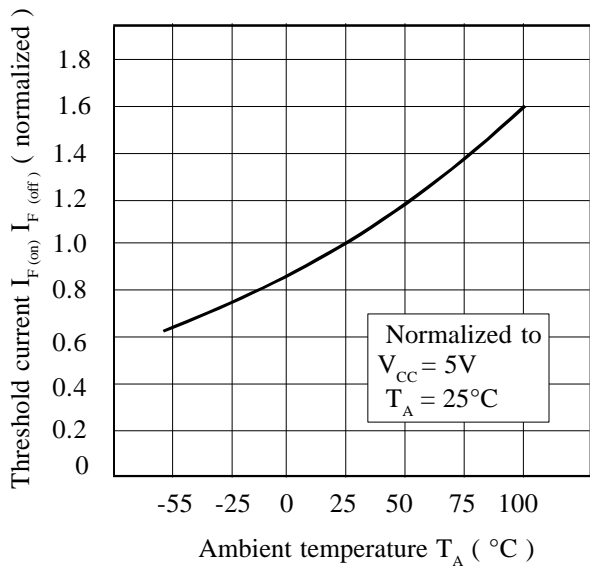
Threshold Current vs. Supply Voltage



Forward Voltage vs. Forward Current



Threshold Current vs. Ambient Temperature



Supply Current vs. Supply Voltage

