



## Features

- Supports Remote Display Technology
- IP-67 Water-Proof & Marine IEC60945 ed.4 Compliant
- 12.1" 500 Nits XGA LED Backlight (FOX-12R-HTT)  
12.1" 1000 Nits XGA LED Backlight (FOX-12R-STT)
- Anti-Fog Design: LCD+ TS Bonding Technology
- Brightness Adjustment



## Specifications

| System                    |   |
|---------------------------|---|
| Input Signal              | VGA/ DVI  |
| On Screen Display Control | Menu, Auto, Up, Down                                    |
| I/O connector             | RJ-45 x 1   |
| OS support                | Windows® XP, Windows® 7, Linux Fedora                   |
| Mechanical                |   |
| Construction              | IP-67 Sealed Aluminum Alloy Chassis                     |
| Mounting                  | VESA 75/100   |
| Dimension                 | 13.58"(W)x 11.1"(H) x 2.35"(D) (345mm x 282mm x 60mm)   |
| Carton Dimension          | 20.23"(W)x 9.72"(H) x 20.31"(D) (514mm x 247mm x 516mm) |
| Gross Weight              | —   |
| Net Weight                | —   |
| Environmental             |   |
| Operating Temperature     | -4°F ~140°F (-20°C~60°C)                                |
| Storage Temperature       | -22°F ~158°F (-30°C~70°C)                               |
| Storage Humidity          | 10%~95% @ 40°C; non-condensing                          |
| Vibration                 | 1 g rms/ 5~500Hz/ Random operation                      |
| Shock                     | 15 G peak acceleration (11 msec. Duration)              |
| EMC                       | CE/FCC Class A, IEC 60945 ed.4                          |
| Power Supply              |   |
| DC input                  | DC 9~30V  |
| LCD                       |   |
| Display type              | 12.1" TFT-LCD   |
| Max Resolution            | 1024 x 768  |
| Max. Colors               | 262K colors   |
| Luminance                 | HTT: 500 nits, STT: 1000 nits                           |
| Viewing Angle             | HTT: 160°(H)/160°(V), STT: 160°(H)/140°(V)              |
| Back Light                | HTT: LED, STT: LED                                      |
| Back Light MTBF (hours)   | HTT: 50,000, STT: 60,000                                |
| Touchscreen               |   |
| Type                      | 5-wire resistive  |
| Light Transmission        | 80%   |
| Lifetime (times)          | 35 million activations                                  |

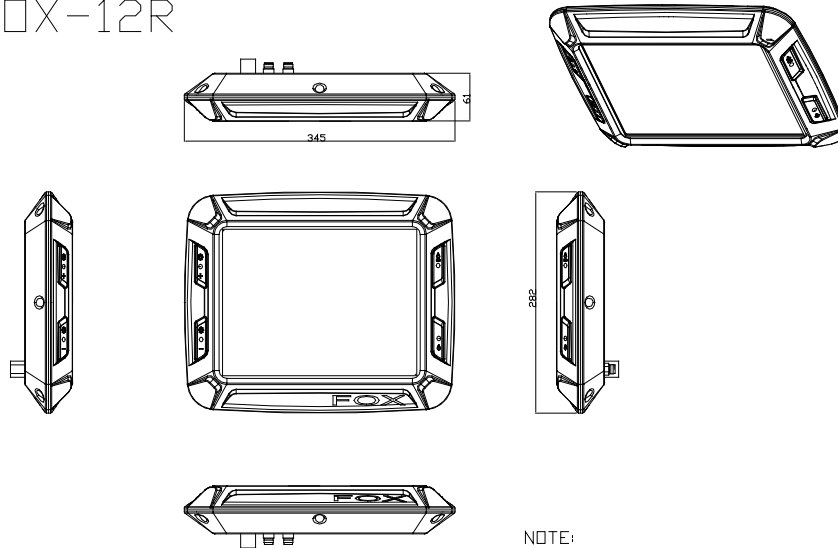
Note: Users have to select the ACG-203 to work with the FOX-12R.

# FOX-12R

## Dimension

Unit: mm

FOX-12R



NOTE:  
1. UNIT:MM  
2. VESA: 75\*75 & 100\*100

## Ordering Information

- TBD

## Optional Accessories

- TBD