

Features



- Bayonet locking system
- Pre-radius (20mm) zirconia ceramic ferrule
- Standard or Secure crimping (double ferrule)
- Cable range : all diameters covered from 0.9 to 3mm.
- Metal body

ST I style

Cable diameter (Mm)	Ceramic ferrule size	Description	Packaging	
			1	100
Level "zero" (1)	128 multimode	Connector body.	-	F 709 029 200
0.9, 1.1 and 3mm (universal : tube and cable)	128 multimode	Connector body, 2 black boots, crimp ferrule.	F 709 028 000	F 709 028 200

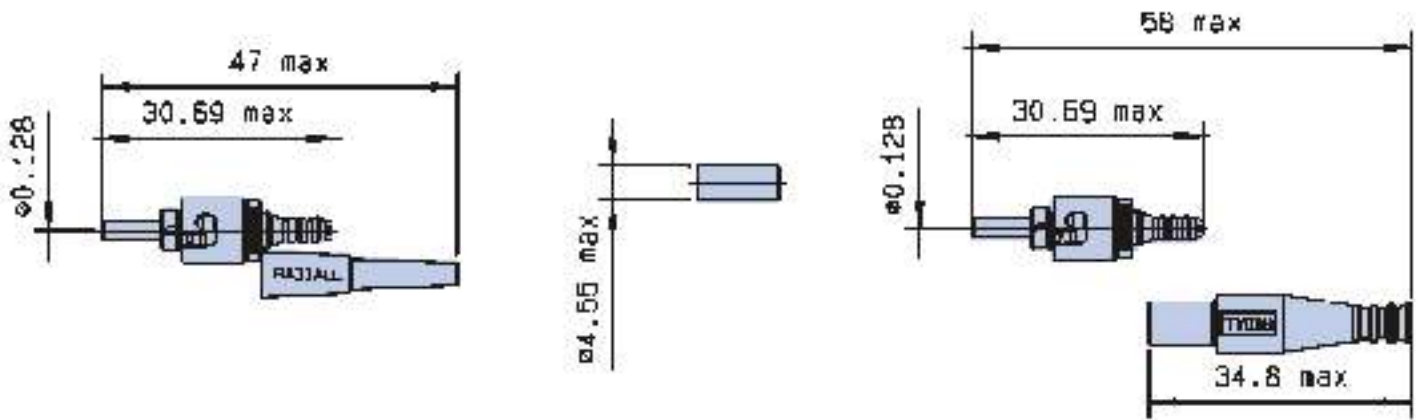
ST II style, standard crimping.

Cable diameter (mm)	Ceramic ferrule size	Description	Packaging	
			1	100
Level "zero" (1)	128 multimode	Connector body.	F 709 025 000	F 709 025 200
0.9mm (coated fiber) 1.1mm (tube)	128 multimode	Connector body, black boot.	F 709 022 000	F 709 022 200
1.6mm (cable)	128 multimode	Connector body, black boot	F 709 093 000	-
2.7 to 3mm (cable)	128 multimode	Connector body, black boot, crimp ferrule...	F 709 023 000	F 709 023 200
2.7 to 3mm (cable)	128 multimode	Connector body, red boot, crimp ferrule.	F 709 023 204	F 709 023 205
0.9, 1.1 and 3mm (Universal : tube and cable)	128 multimode	Connector Body, 2 black boots, crimp ferrule.	F 709 024 000	F 709 024 200
0.9, 1.1 and 3mm (Universal : tube and cable)	140 multimode	Connector Body, 2 black boots, crimp ferrule	F 709 090 000	-
2.7 to 3mm (cable)	230 multimode	Connector body, black boot, crimp ferrule.	F 709 038 000	-
Level "zero" (1)	125 singlemode	Connector body.	-	F 709 037 200
Level "zero" (1)	126 singlemode	Connector body.	-	F 709 036 200
0.9, 1.1 and 3mm (Universal : tube and câble)	126 singlemode	Connector Body, 2 black boots, crimp ferrule	F 709 034 706	F 709 034 200
1.6mm (cable)	126 singlemode	Connector body, black boot, crimp ferrule	F 709 094 000	-

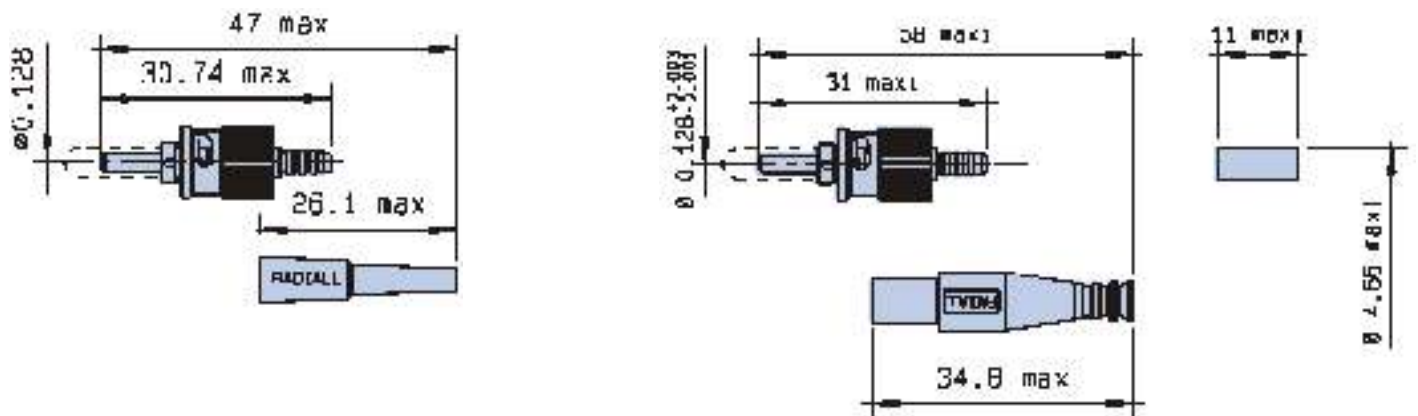
Note 1 - The level "zero" is supplied without boots or crimp sleeves and allows the user to manage his cable diameters, colour of boots, etc...

All accessories (boots, crimp sleeves, etc...) can be ordered separately. See page 31 for part numbers.

ST I - Dimensions (mm)



ST II - Dimensions (mm)



mm to inch : 0.03937