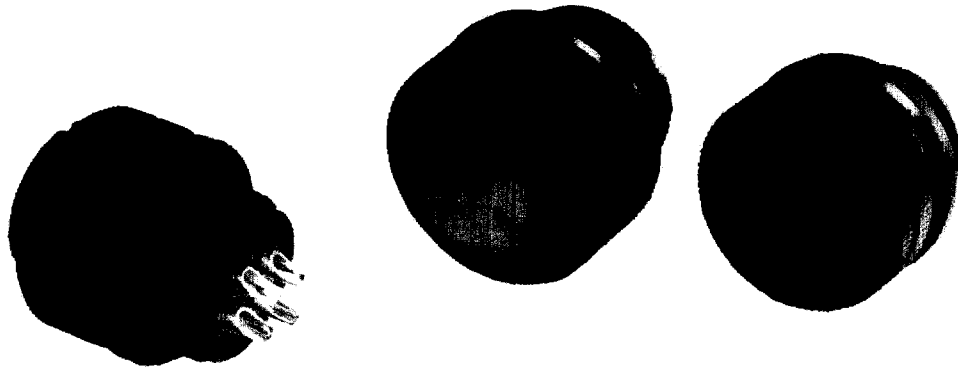


# DMS(D190) Series



## Moistureproof Plug Type

## Intermateable with CE02-2A and DMS series



### SUMMARY

DMS(D190) series is intermateable with CE02-2A, DMS and MIL-C-5015 connectors. These connectors meet the performance criteria of most factory automation applications as they withstand exposure to moisture, oil and vibration.

### MATERIAL/FINISH

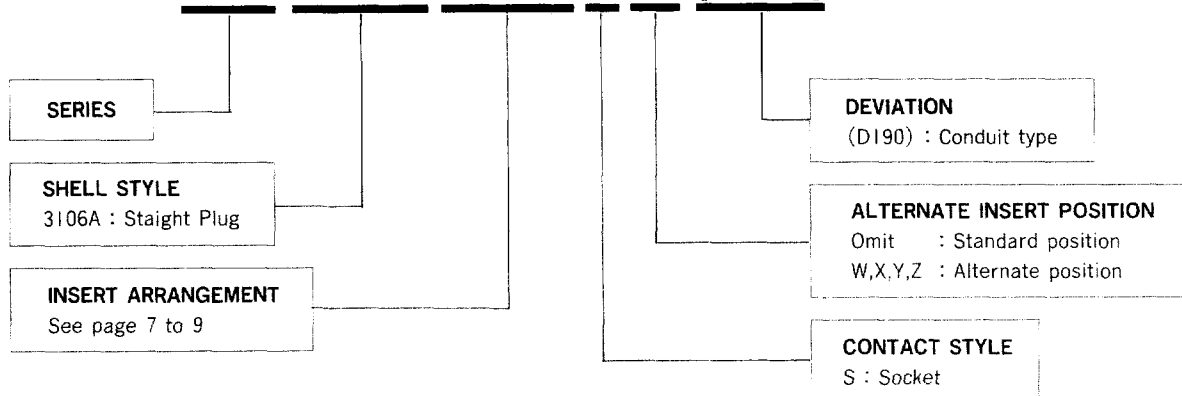
Shell .....Aluminum alloy/Zinc plating,  
Olive drab chromate finish  
Insulator .....Diallyl phthalate resin/Blue  
Contact .....Copper alloy/Silver plating  
Coupling Ring...Aluminum alloy/Zinc plating,  
Olive drab chromate finish  
Retaining Ring...Phosphor bronze/Zinc plating,  
Olive drab chromate finish  
Gasket .....Nitrile rubber/Black

### Specification

Contact Size	#16	#12	#8
Voltage Rating	250V AC(r.m.s) 350V DC	350V AC(r.m.s) 500V DC	350V AC(r.m.s) 500V DC
Current Rating	13A max	23A max	46A max
Test Voltage	1000V AC(r.m.s)	1500V AC(r.m.s)	1500V AC(r.m.s)
Insulation Resistance	1000MΩ min, at 500V DC		
Wire Size	AWG#16~#22	AWG#12~14	AWG#8~#10

### Ordering Information

## DMS 3106A 20-29 S W (D190)

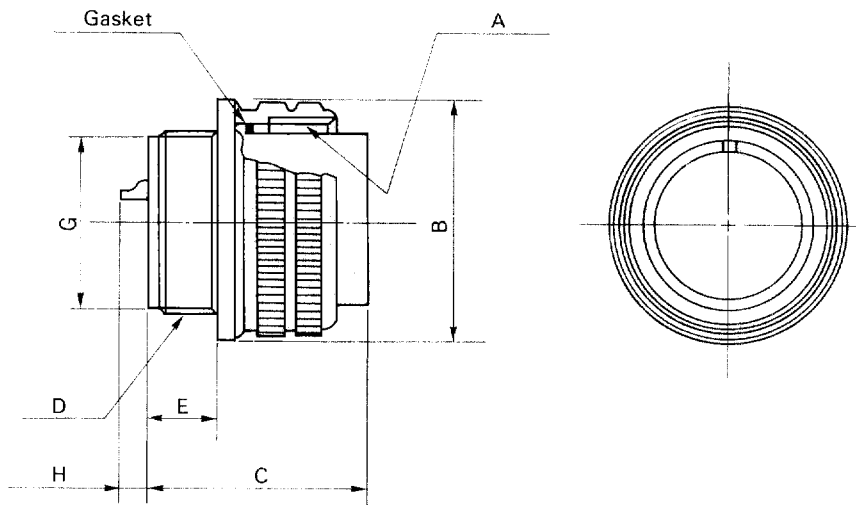


# DMS(D190) Series



## Dimensions

Unit : mm(inch)



Shell Size	Coupling Threads A	B	C	Rear Threads D	E	G
10SL	$\frac{3}{8}$ -24UNEF	22.22 (.875)	23.3 (.917)	$\frac{3}{16}$ -24UNEF-2A	7.5 (.295)	12.5 (.492)
12S	$\frac{1}{4}$ -20UNEF	25.4 (1.000)	24.43 (.962)	$\frac{1}{8}$ -24UNEF-2A	8.43 (.332)	15.6 (.614)
14S	$\frac{1}{8}$ -20UNEF	28.57 (1.125)	24.34 (.958)	$\frac{1}{4}$ -20UNEF-2A	8.46 (.333)	17.0 (.669)
16S	1-20UNEF	31.75 (1.250)	24.38 (.960)	$\frac{1}{4}$ -20UNEF-2A	8.38 (.330)	20.05 (.789)
16	1-20UNEF	31.75 (1.250)	33.72 (1.328)	$\frac{1}{4}$ -20UNEF-2A	11.76 (.463)	20.26 (.798)
18	1 $\frac{1}{4}$ -18UNEF	34.13 (1.344)	33.72 (1.328)	1-20UNEF-2A	11.74 (.462)	23.5 (.925)
20	1 $\frac{1}{4}$ -18UNEF	37.28 (1.468)	34.11 (1.343)	1 $\frac{1}{4}$ -18UNEF-2A	12.16 (.479)	26.8 (1.055)
22	1 $\frac{1}{4}$ -18UNEF	40.48 (1.594)	34.11 (1.343)	1 $\frac{1}{4}$ -18UNEF-2A	12.15 (.478)	29.9 (1.177)
24	1 $\frac{1}{4}$ -18UNEF	43.63 (1.718)	36.58 (1.440)	1 $\frac{1}{4}$ -18UNEF-2A	13.42 (.528)	32.9 (1.295)
28	1 $\frac{1}{2}$ -18UNS	50.0 (1.969)	37.03 (1.458)	1 $\frac{3}{8}$ -18UNEF-2A	13.07 (.515)	38.98 (1.535)
32	2-18UNS	56.33 (2.218)	36.95 (1.455)	1 $\frac{1}{2}$ -16UN-2A	13.14 (.517)	45.3 (1.783)
36	2 $\frac{1}{2}$ -16UN	62.68 (2.468)	37.44 (1.474)	2 $\frac{1}{4}$ -16UN-2A	13.6 (.535)	51.6 (2.031)

		Contact Size				
		#16	#12	#8	#4	#0
H		8max (.315)	8max (.315)	16max (.394)	13max (.512)	13max (.512)