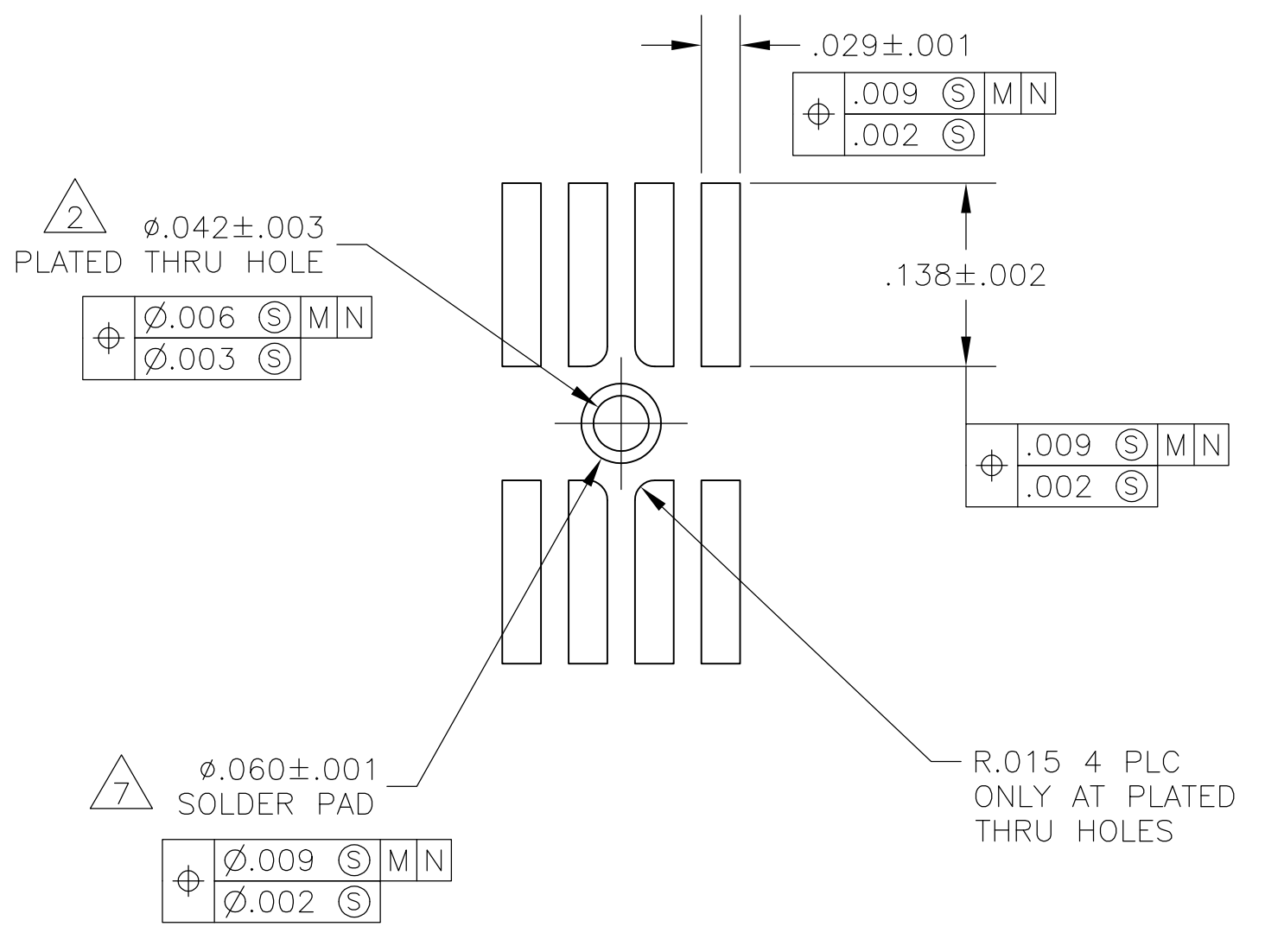
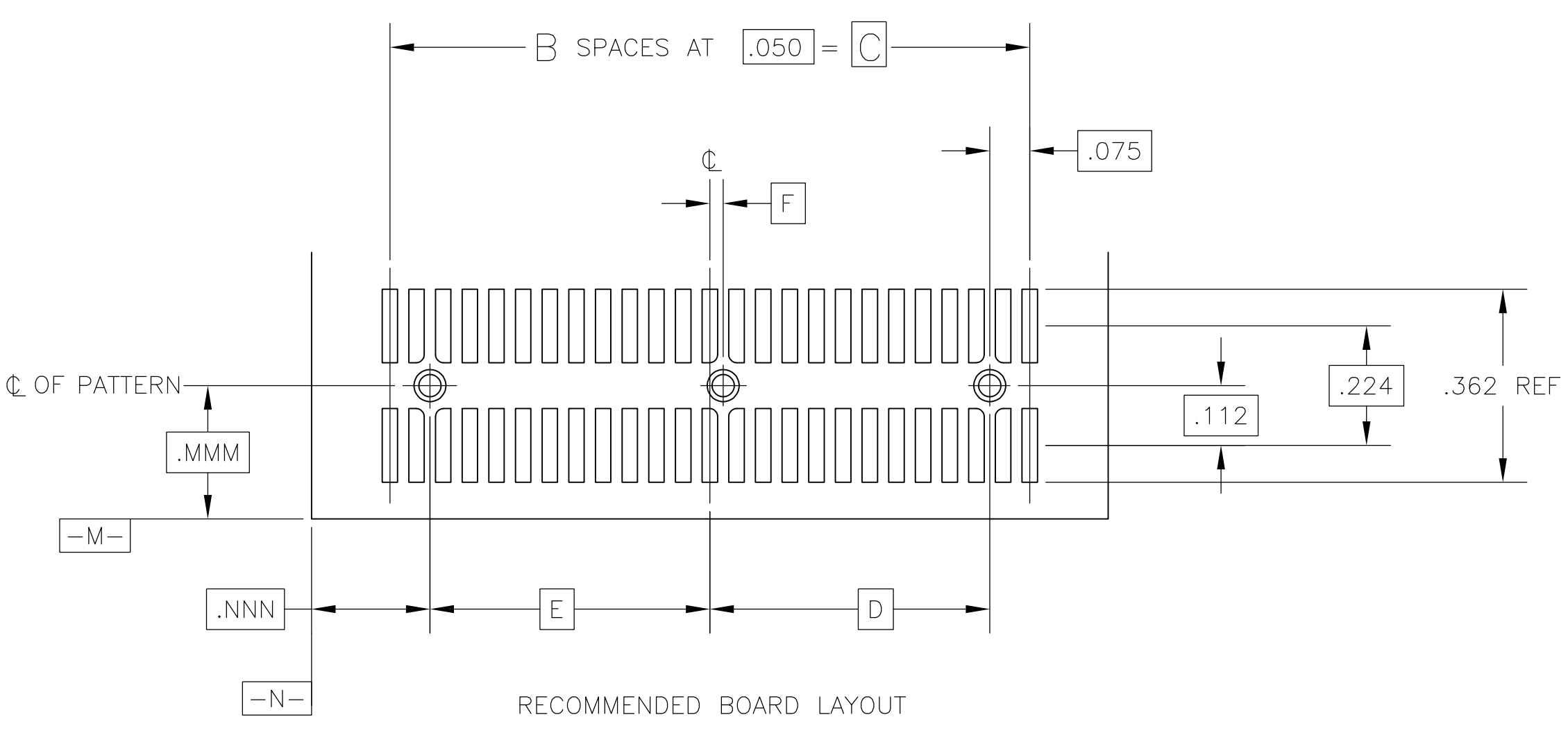
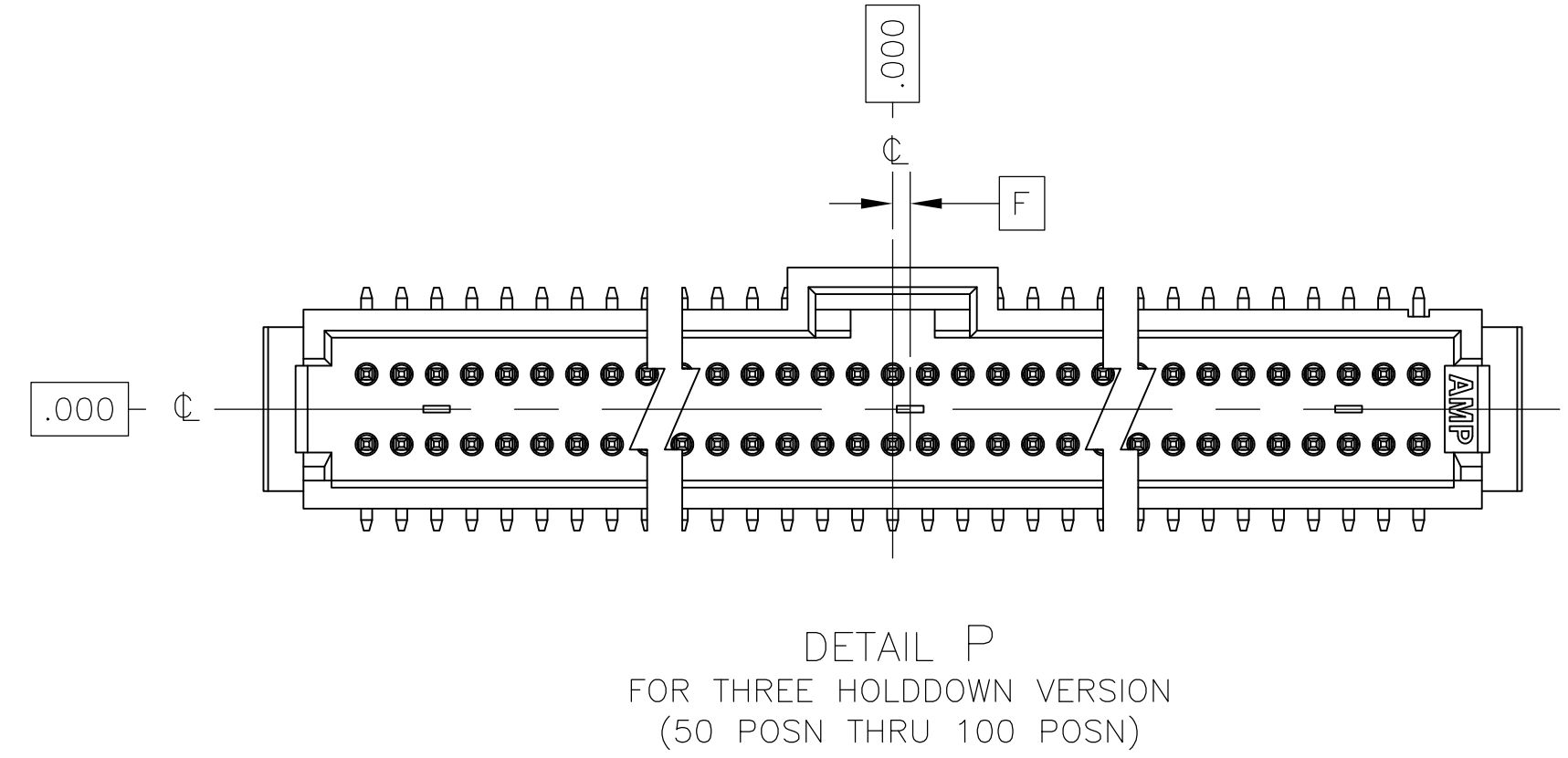
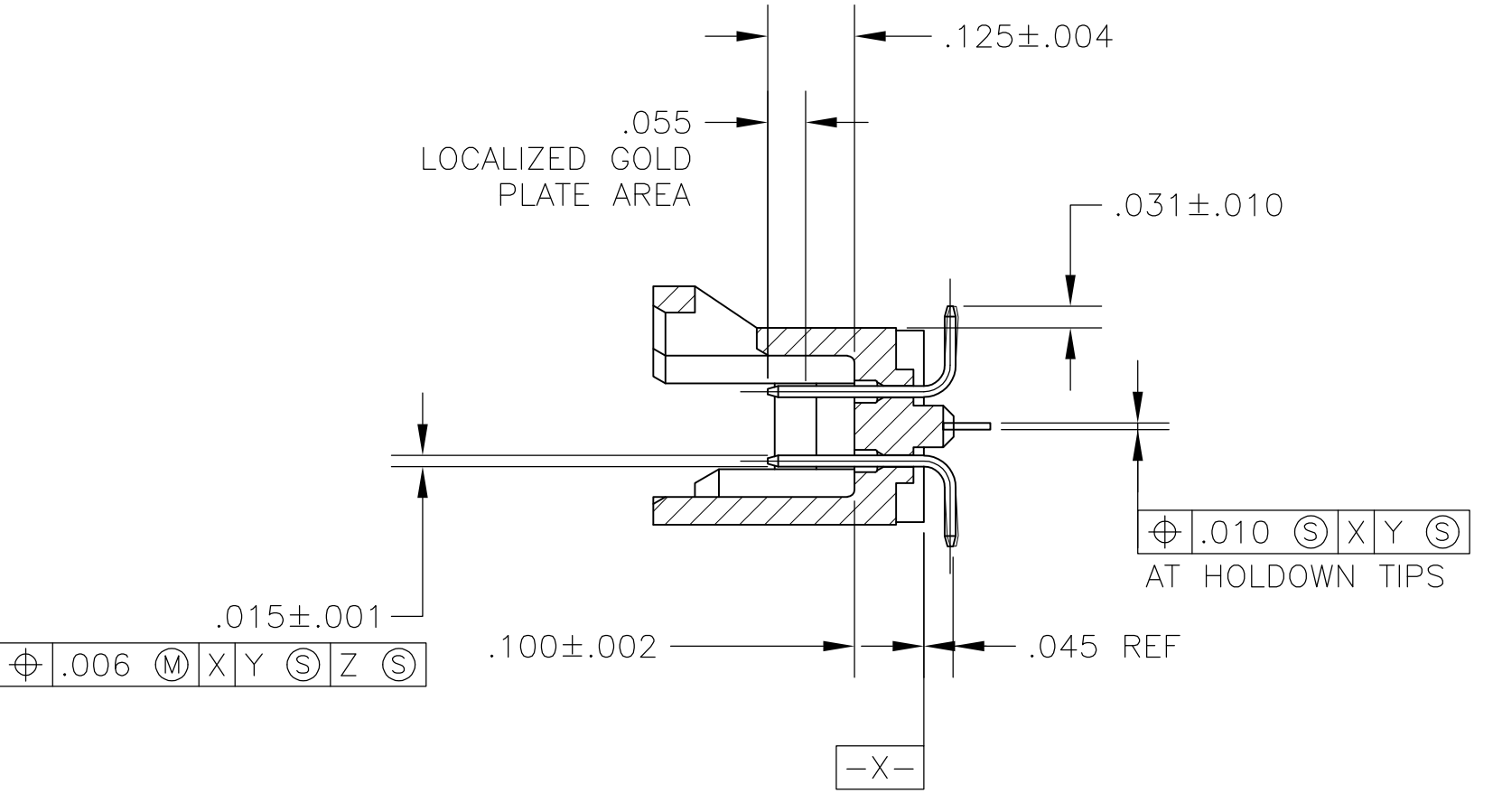
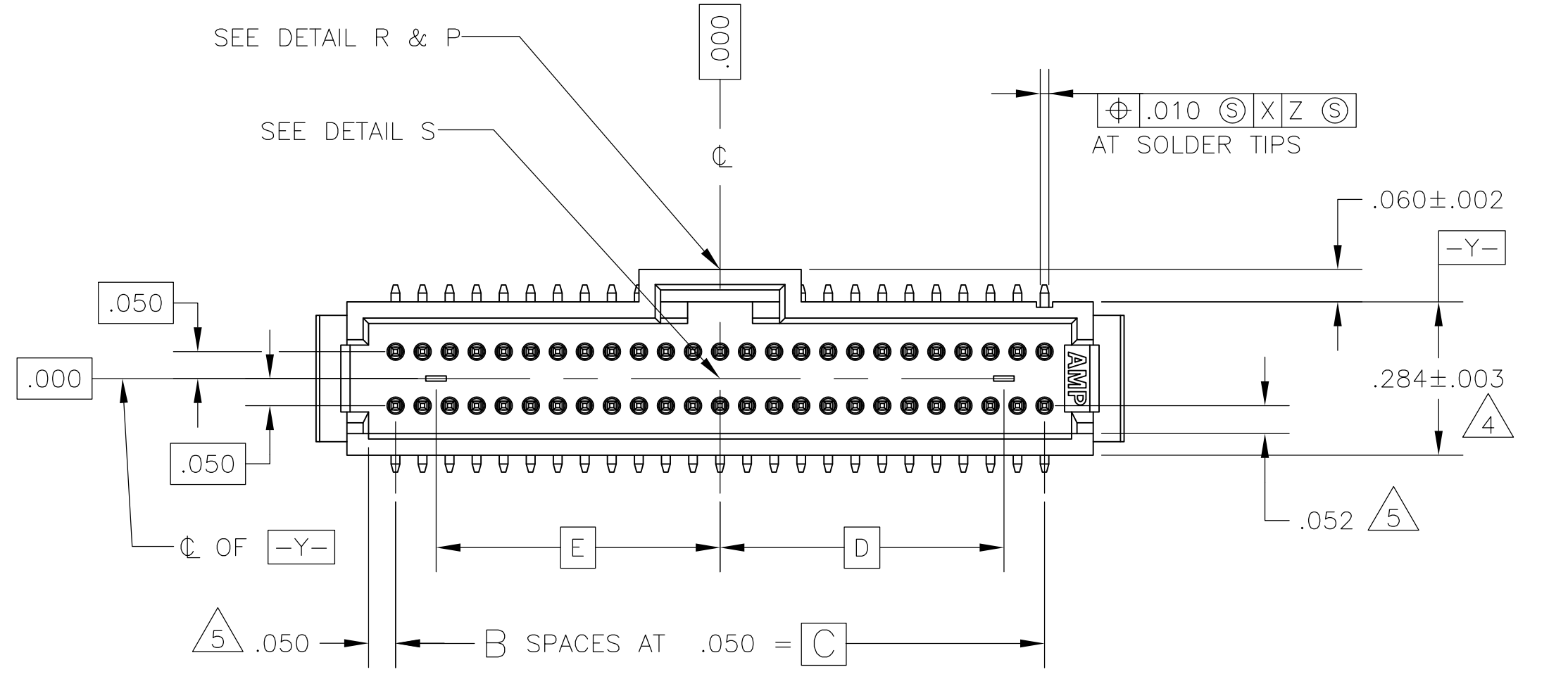
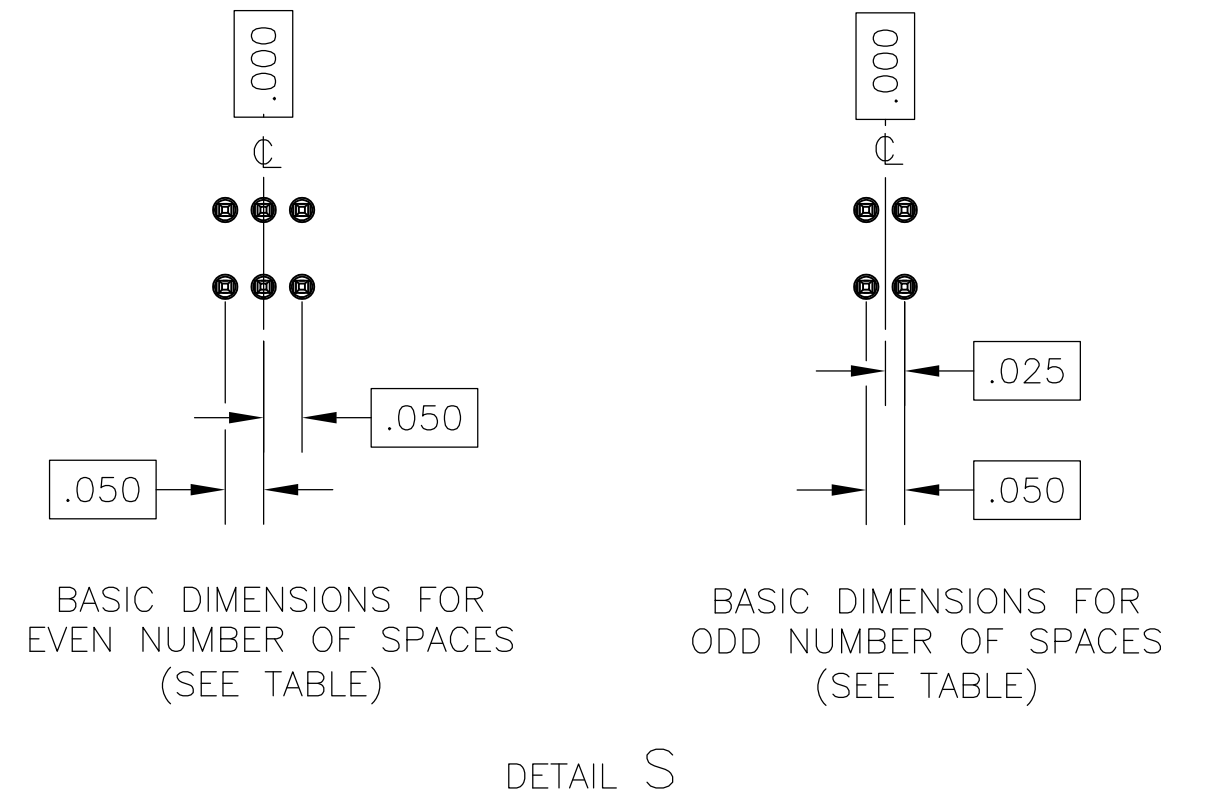
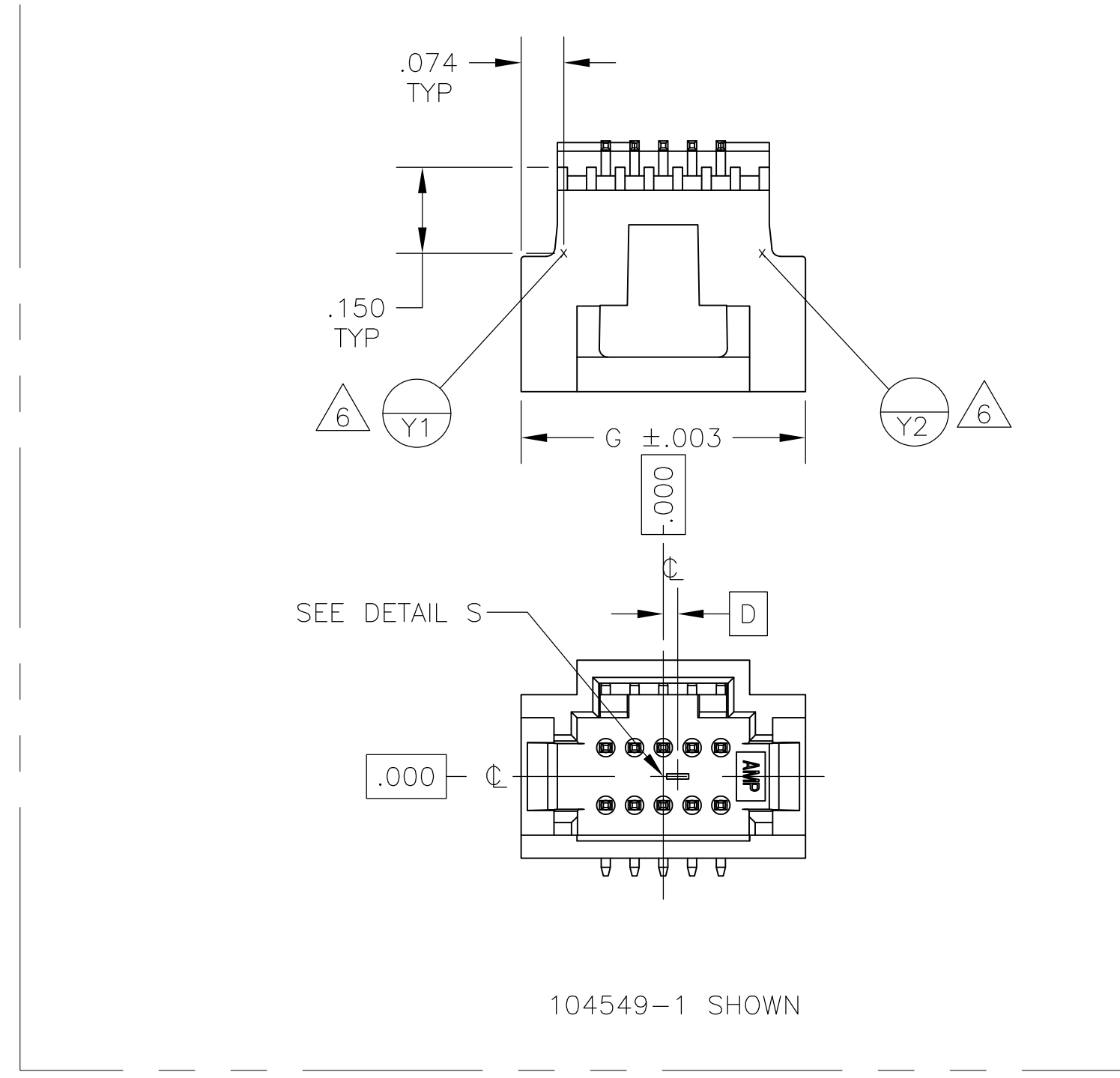
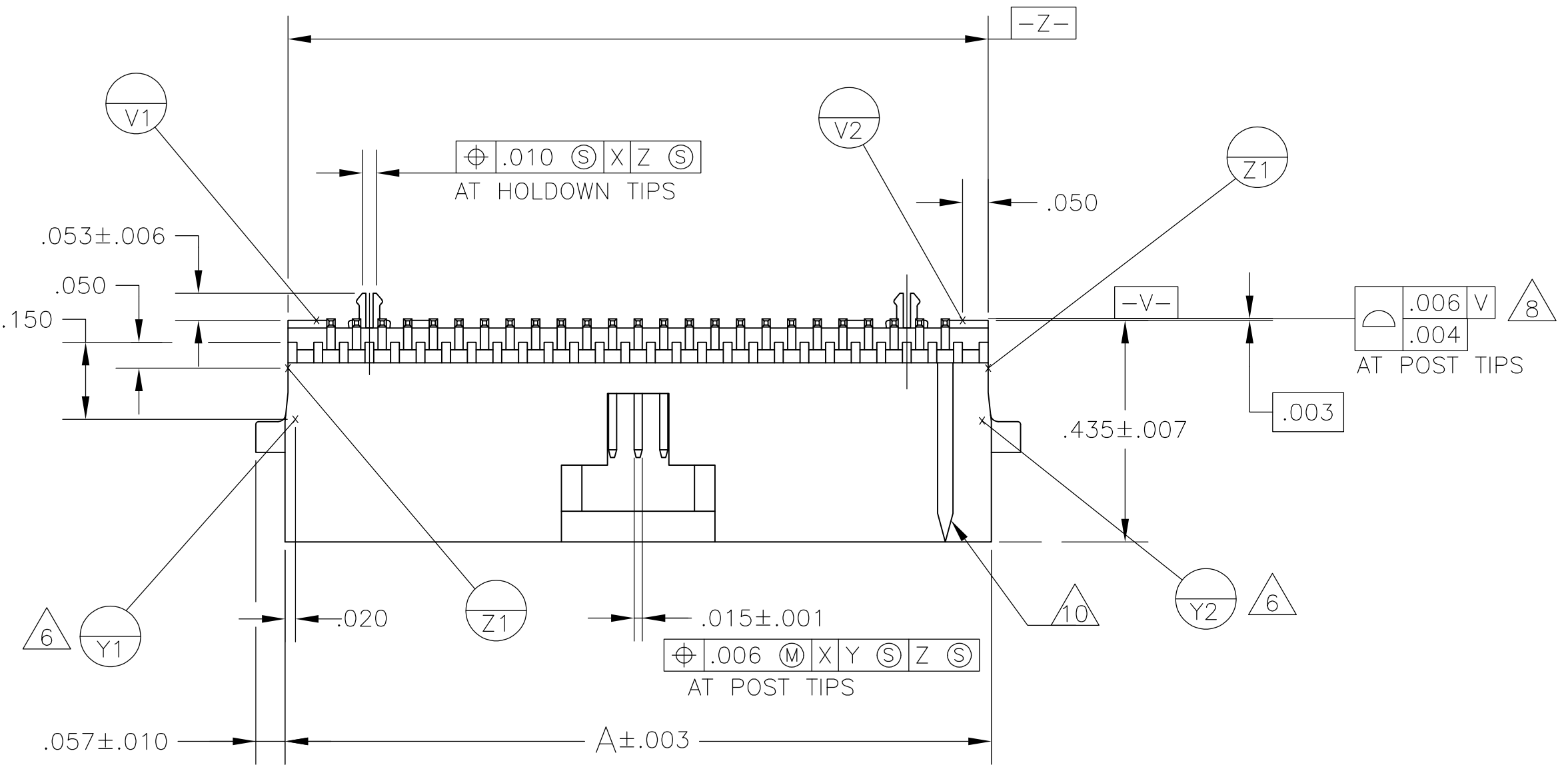






LOC		DIST		REVISIONS			
P	LTR	DESCRIPTION	DATE	DWN	APVD		
S2		REVISED PER ECO-11-020673	17OCT11	KH	JO		



SEE SHEET 2 OF 2 FOR DASH NUMBERS AND NOTES

THIS DRAWING IS A CONTROLLED DOCUMENT.		DIN R.K. SEIFRIED/UTA 13JUL92		NAME	
DIMENSIONS: INCHES		CHK B FLICKER 23OCT92		TE Connectivity	
TOLERANCES UNLESS OTHERWISE SPECIFIED:		APP'D B FLICKER 23OCT92		PRODUCT SPEC	
0 PLC ± -		NAME		HEADER ASSEMBLY, W/SIDE & END LATCHES, VERTICAL, SHROUDED, DOUBLE ROW, SURFACE MOUNT, AMPMODU System 50, W/HOLDDOWNS	
1 PLC ± -		APPLICATION SPEC		RESTRICTED TO	
2 PLC ± -		SIZE		A1	
3 PLC ± .005		CAGE CODE		DRAWING NO	
4 PLC ± -		WEIGHT		100779	
ANGLES ± -		CUSTOMER DRAWING		SCALE 4:1 SHEET 1 OF 2 REV S2	
MATERIAL: HOUSING: PPA COLOR: BLACK CONTACT: PHOSPHOR BRONZE		FINISH		DRAWING NO	
		1		104549	

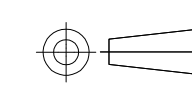
LOC	DIST	REVISIONS			
AD	00	REV	DATE	BY	APPV
-	-	1	SEE SHEET 1	-	-

- ① .000030 GOLD IN LOCALIZED PLATE AREA, .000150 TIN-LEAD ON SOLDER TAILS ALL OVER .000050 NICKEL.
- ② USE .0465±.0010 DRILLED HOLE (#56 DRILL) WITH .001 MIN COPPER.
- ③ CIRCUIT IDENTIFICATION FEATURE OMITTED ON 10 POSITION HEADER ASSEMBLIES.
- ④ DIMENSION APPLIES AT BASE OF SHROUD.
- ⑤ THE NOTED DIMENSIONS APPLY AT THE MATING FACE OF THE HOUSING.
- ⑥   ARE LOCATED THE SAME AS   EXCEPT ON OPPOSITE SIDE OF HOUSING.
- ⑦ PADS ON THE OPPOSITE SIDE OF THE BOARD TO BE Ø.065 MINIMUM.
- ⑧ REFER TO NO. OF POSN. IN CHART FOR NUMBER OF SURFACES THAT ARE TO BE COPLALAR.
- ⑨ .000030 GOLD IN LOCALIZED PLATE AREA, .000150 TIN ON SOLDER TAILS, ALL OVER .000050 NICKEL.
- ⑩ NO CIRCUIT IDENTIFICATION FEATURE ON 10,12,20,24 AND 30 POSITION PARTS.

-	-	.000	.250	5	.430	12	⑩	6-104549-1
.000	1.150	1.150	2.450	49	2.630	100	⑨	6-104549-0
.000	.900	.900	1.950	39	2.130	80	⑨	5-104549-9
.000	.650	.650	1.450	29	1.630	60	⑨	5-104549-8
.025	.525	.525	1.200	24	1.380	50	⑨	5-104549-7
-	.400	.400	.950	19	1.130	40	⑨	5-104549-6
-	.275	.275	.700	14	.880	30	⑨	5-104549-5
OBSELETE	-.225	.225	.600	12	.780	26	⑨	5-104549-4
-	.200	.200	.550	11	.730	24	⑨	5-104549-3
-	.150	.150	.450	9	.630	20	⑨	5-104549-2
.494	-	.025	.200	4	-	10	⑨	5-104549-1
-	-	.000	.250	5	.430	12	⑩	1-104549-1
.000	1.150	1.150	2.450	49	2.630	100	⑩	1-104549-0
.000	.900	.900	1.950	39	2.130	80	⑩	104549-9
.000	.650	.650	1.450	29	1.630	60	⑩	104549-8
.025	.525	.525	1.200	24	1.380	50	⑩	104549-7
-	.400	.400	.950	19	1.130	40	⑩	104549-6
-	.275	.275	.700	14	.880	30	⑩	104549-5
OBSELETE	-.225	.225	.600	12	.780	26	⑩	104549-4
-	.200	.200	.550	11	.730	24	⑩	104549-3
-	.150	.150	.450	9	.630	20	⑩	104549-2
.494	-	.025	.200	4	-	10	⑩	104549-1
G	F	E	D	C	B	A	NO OF POSN	PART NUMBER

THIS DRAWING IS A CONTROLLED DOCUMENT. DIN 13JUL92
R. K. SEIFRIED/UTA
CHK 23OCT92

DIMENSIONS: INCHES. TOLERANCES UNLESS OTHERWISE SPECIFIED:
0. PLC ± -
1. PLC ± -
2. PLC ± -
3. PLC ± .005
4. PLC ± -
ANGLES ± -

 FINISH: SEE TABLE

MATERIAL: HOUSING: PPA COLOR: BLACK CONTACT: PHOSPHOR BRONZE

APPROVED: B. FLICKER 23OCT92 NAME: B. FLICKER 23OCT92

APPLICATION SPEC: -

SIZE: A1 CAGE CODE: 00779 DRAWING NO: 104549

WEIGHT: -

CUSTOMER DRAWING

RESTRICTED TO: -

SCALE: 4:1 SHEET 2 OF 2 REV S2

STE TE Connectivity

HEADER ASSEMBLY, W/SIDE & END LATCHES, VERTICAL, SHROUDED, DOUBLE ROW SURFACE MOUNT, AMPMODU System 50, W/HOLDDOWNS