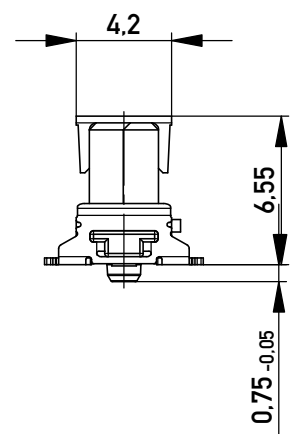
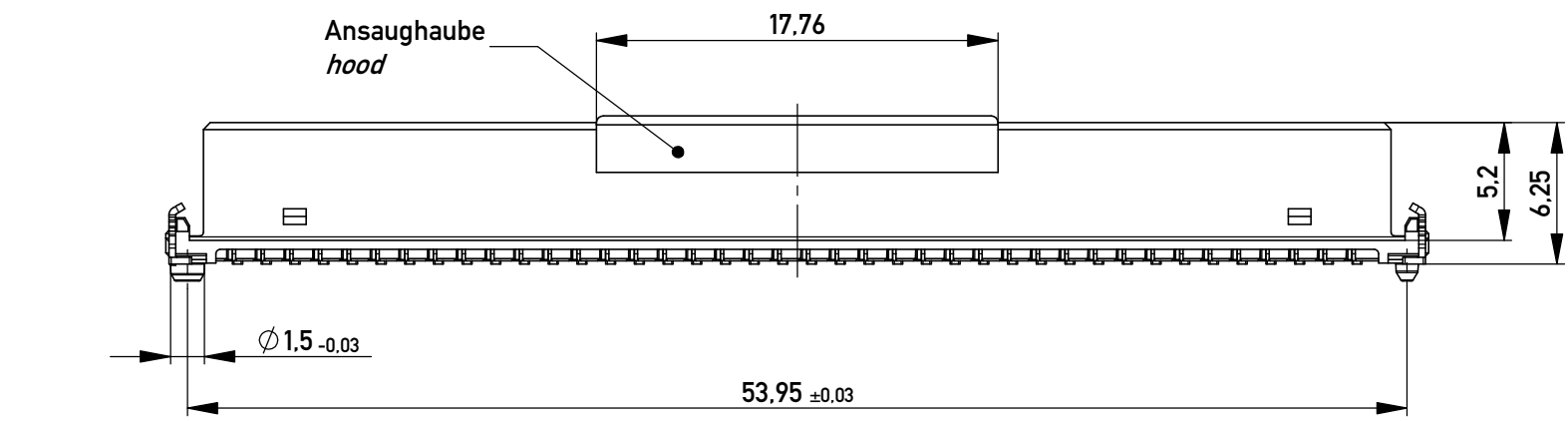
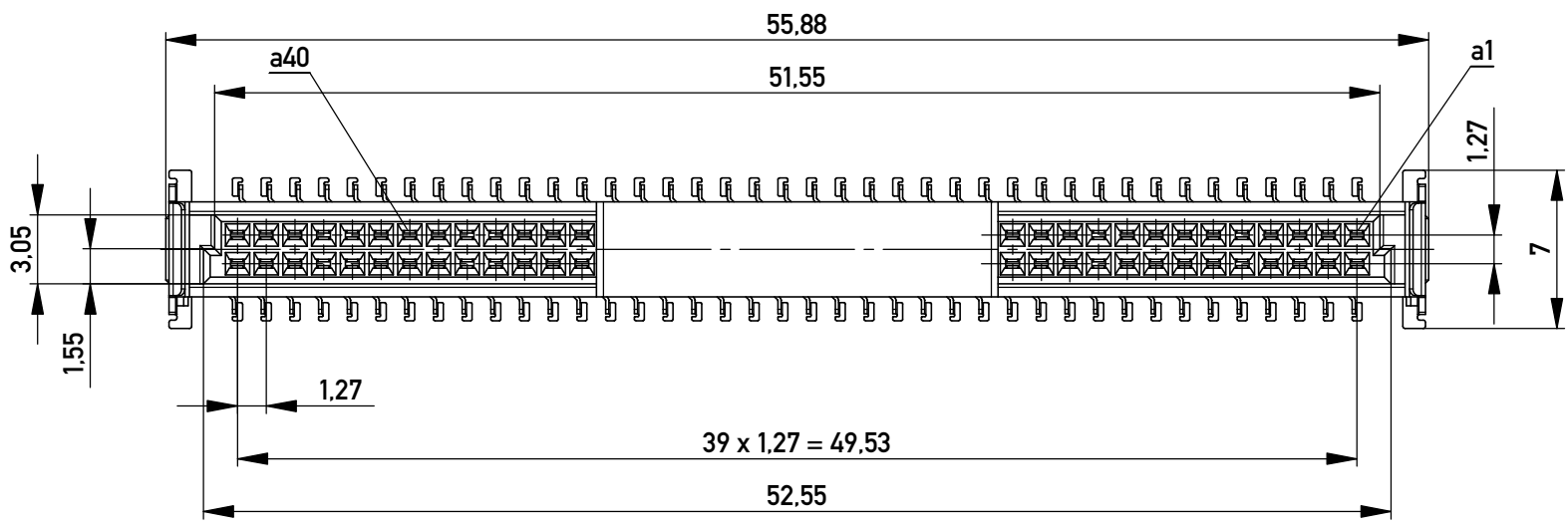
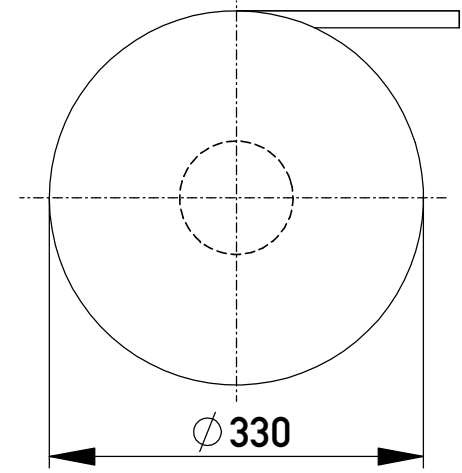


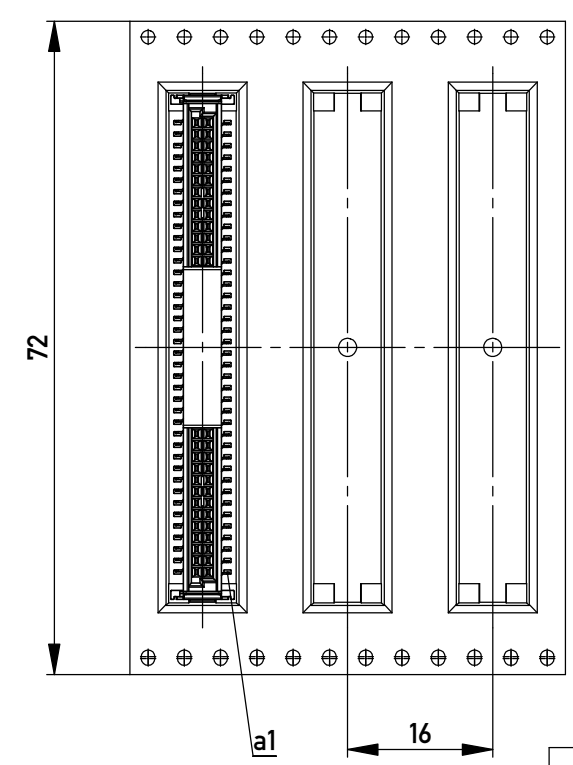
Ansaughaube
hood



Verpackt in Gurtverpackung
Tape on Reel Packaging
Verpackungseinheit: 280 Stück
Packaging unit: 280 pcs



Abspulrichtung - Reel off Direction



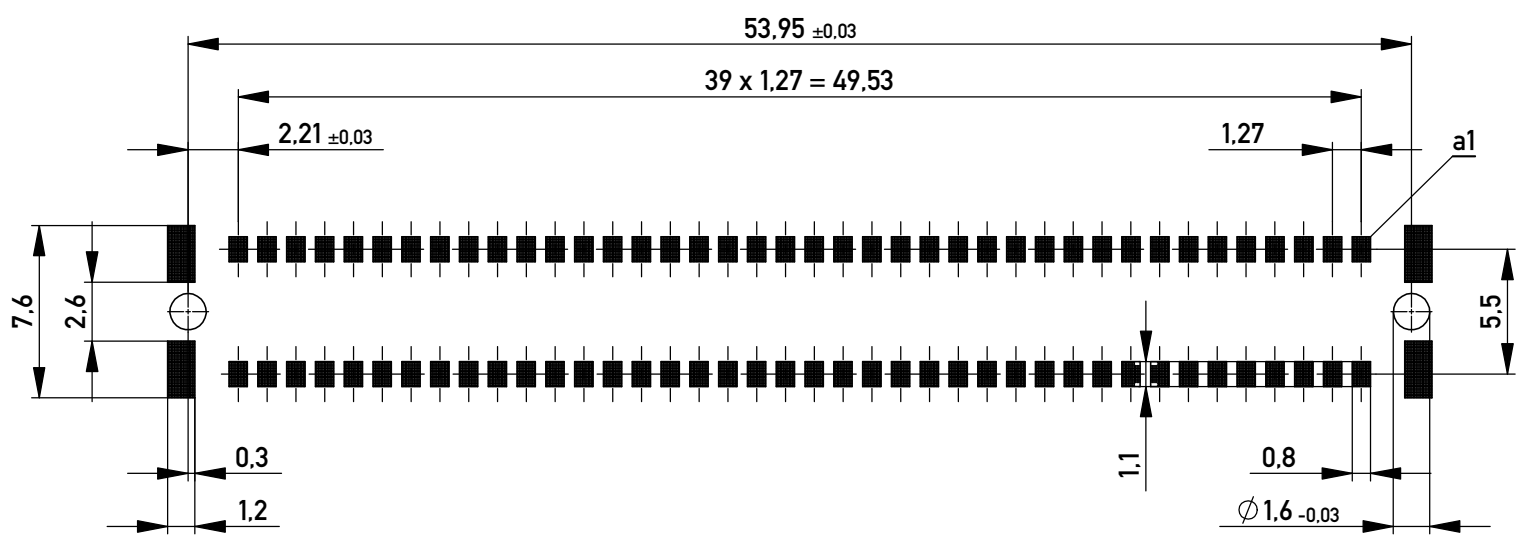
Anforderungsstufe 1
Performance Level 1

Kontaktbereich vergoldet
Mating Area gold plating

Anschlussbereich verzinkt 4-6 µm
Terminal Area 4-6 µm tin plating

Koplanarität der Anschlüsse ≤ 0,1 mm
Coplanarity Area of Termination ≤ 0,1 mm

Leiterplatten-Layout Vorschlag für SMT
PCB-Layout Proposal for SMT



BA 7-13 - 8mm Bauhöhe
type7-13 - low profile

Information:		Tolerances	Scale 3:1	Designation	
All rights reserved. Only for Information. To ensure that this is the latest version of this drawing, please contact one of the ERNI companies before using.		All Dimensions in mm	3:1	Federl. SMC-B 80-SMD-BA7-13 Female SMC-B 80-SMD-type7-13	
Subject to modification without prior notice. Drawing will not be updated.		www.ERNI.com	100103140006		K
Date 06.03.2013		Class SMCB		A3	

Copyright by ERNI GmbH
Proprietary notice pursuant to ISO 16016 to be observed.