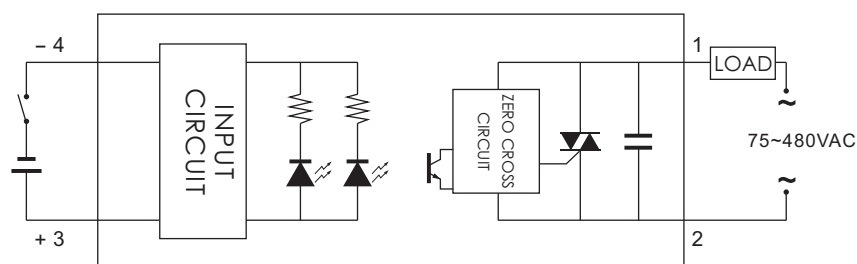






MODEL	SSR-10DA-H	SSR-15DA-H	SSR-25DA-H	SSR-40DA-H	SSR-50DA-H	SSR-80DA-H	SSR-100DA-H	SSR-120DA-H
LOAD CURRENT	10A	15A	25A	40A	50A	80A	100A	120A
INPUT DATA								
OPERATING VOLTAGE	4~32VDC							
TRIGGER CURRENT	7.5mA/12VDC max							
CONTROL METHOD	Zero Cross Trigger							
OUTPUT DATA								
OPERATING VOLTAGE	75~480VAC							
VOLTAGE DROP	1.6V							
LEAKAGE CURRENT	< 5.0mA							
RESPONSE TIME	ON<10ms, OFF<10ms							
GENERAL DATA								
INSULATION RESISTANCE	Min. 50MΩ(500VDC)							
DIELECTRIC STRENGTH	2500VAC 50/60 Hz for 1 min							
AMBIENT TEMPERATURE	-20℃ ~+80℃							
AMBIENT HUMIDITY	45%~85%RH							
WEIGHT	Appr. 105g							

CONNECTION DIAGRAM







MODEL	SSR-05LA	SSR-10LA	SSR-15LA	SSR-25LA	SSR-40LA	SSR-50LA	SSR-80LA
LOAD CURRENT	5A	10A	15A	25A	40A	50A	80A

INPUT DATA

TRIGGER CURRENT	4~20mA						
CONTROL METHOD	Zero Cross Trigger						

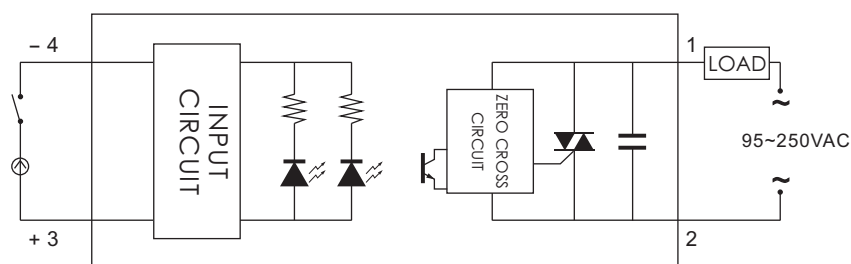
OUTPUT DATA

OPERATING VOLTAGE	90~250VAC						
VOLTAGE DROP	1.6V						
LEAKAGE CURRENT	< 3.0mA						
RESPONSE TIME	ON<10ms, OFF<10ms						

GENERAL DATA

INSULATION RESISTANCE	Min. 50MΩ(500VDC)						
DIELECTRIC STRENGTH	2500VAC 50/60 Hz for 1 min						
AMBIENT TEMPERATURE	-20℃ ~+80℃						
AMBIENT HUMIDITY	45%~85%RH						
WEIGHT	Appr. 105g						

CONNECTION DIAGRAM





MODEL	SSR-05VA	SSR-10VA	SSR-15VA	SSR-25VA	SSR-40VA	SSR-50VA	SSR-80VA
LOAD CURRENT	5A	10A	15A	25A	40A	50A	80A

INPUT DATA

VARIABLE RESISTANCE	Trimmer 250K $\Omega$ /110V, 500K $\Omega$ /220V, 1M $\Omega$ /380V						
---------------------	---	--	--	--	--	--	--

CONTROL METHOD	Phase Control						
----------------	---------------	--	--	--	--	--	--

OUTPUT DATA

OPERATING VOLTAGE	24~380VAC						
-------------------	-----------	--	--	--	--	--	--

VOLTAGE DROP	1.6V						
--------------	------	--	--	--	--	--	--

LEAKAGE CURRENT	< 5.0mA						
-----------------	---------	--	--	--	--	--	--

GENERAL DATA

INSULATION RESISTANCE	Min. 50M $\Omega$ (500VDC)						
-----------------------	----------------------------	--	--	--	--	--	--

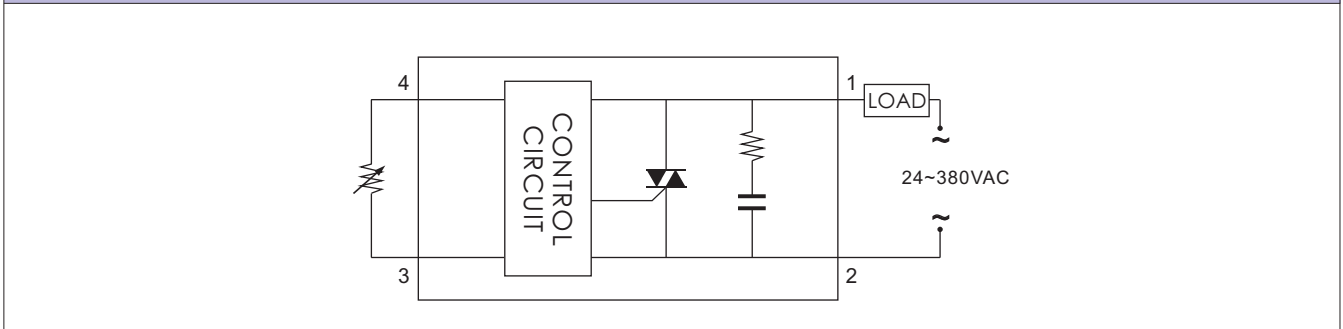
DIELECTRIC STRENGTH	2500VAC 50/60 Hz for 1 min						
---------------------	----------------------------	--	--	--	--	--	--

AMBIENT TEMPERATURE	-20 $^{\circ}$ C ~+80 $^{\circ}$ C						
---------------------	------------------------------------	--	--	--	--	--	--

AMBIENT HUMIDITY	45%~85%RH						
------------------	-----------	--	--	--	--	--	--

WEIGHT	Apr. 100g						
--------	-----------	--	--	--	--	--	--

CONNECTION DIAGRAM





MODEL	SSR-10VA-H	SSR-15VA-H	SSR-25VA-H	SSR-40VA-H	SSR-50VA-H	SSR-80VA-H
LOAD CURRENT	10A	15A	25A	40A	50A	80A

## INPUT DATA

VARIABLE RESISTANCE	Trimmer 250K $\Omega$ /110V, 500K $\Omega$ /220V, 1M $\Omega$ /380V					
CONTROL METHOD	Phase Control					

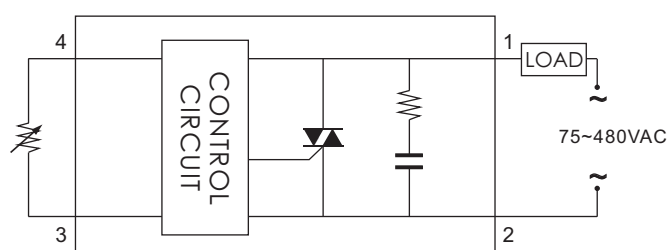
## OUTPUT DATA

OPERATING VOLTAGE	75~480VAC					
VOLTAGE DROP	1.6V					
LEAKAGE CURRENT	< 5.0mA					

## GENERAL DATA

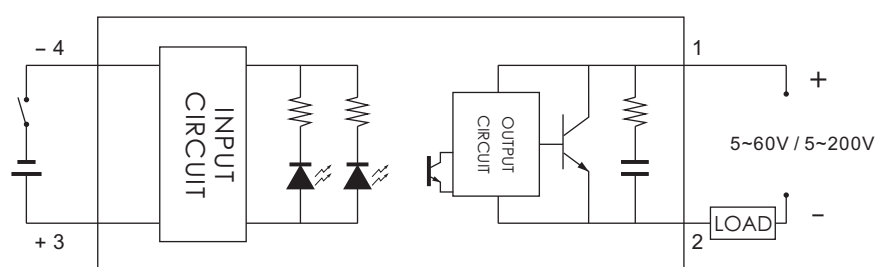
INSULATION RESISTANCE	Min. 50M $\Omega$ (500VDC)					
DIELECTRIC STRENGTH	2500VAC 50/60 Hz for 1 min					
AMBIENT TEMPERATURE	-20 $^{\circ}$ C ~+80 $^{\circ}$ C					
AMBIENT HUMIDITY	45%~85%RH					
WEIGHT	Appr. 100g					

## CONNECTION DIAGRAM



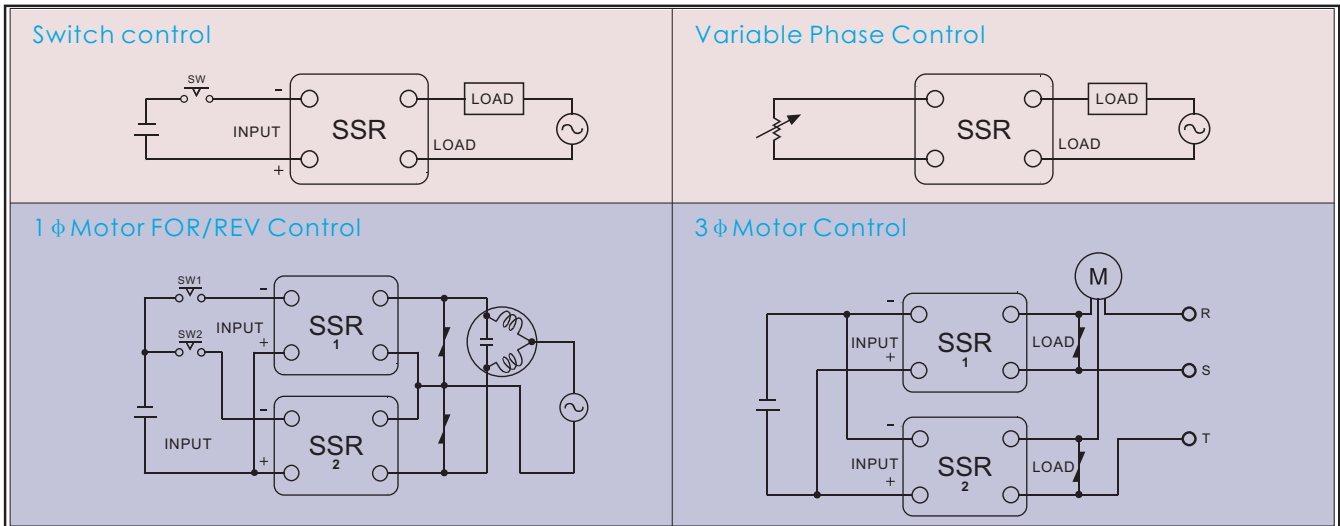
MODEL	SSR-05DD	SSR-10DD	SSR-20DD	SSR-05DD-H	SSR-10DD-H
LOAD CURRENT	5A	10A	20A	5A	10A
INPUT DATA					
OPERATING VOLTAGE	3~32VDC				
TRIGGER CURRENT	7.5mA/12VDC max				
CONTROL METHOD	Isolated by Photocouple				
OUTPUT DATA					
OPERATING VOLTAGE	5~60VDC			5~200VDC	
VOLTAGE DROP	1.6V				
LEAKAGE CURRENT	< 0.8mA				
RESPONSE TIME	1ms <ON+OFF>				
GENERAL DATA					
INSULATION RESISTANCE	Min. 50MΩ (500VDC)				
DIELECTRIC STRENGTH	2500VAC 50/60 Hz for 1 min				
AMBIENT TEMPERATURE	-20°C ~ +80°C				
AMBIENT HUMIDITY	45%~85%RH				
WEIGHT	Appr. 110g				

CONNECTION DIAGRAM

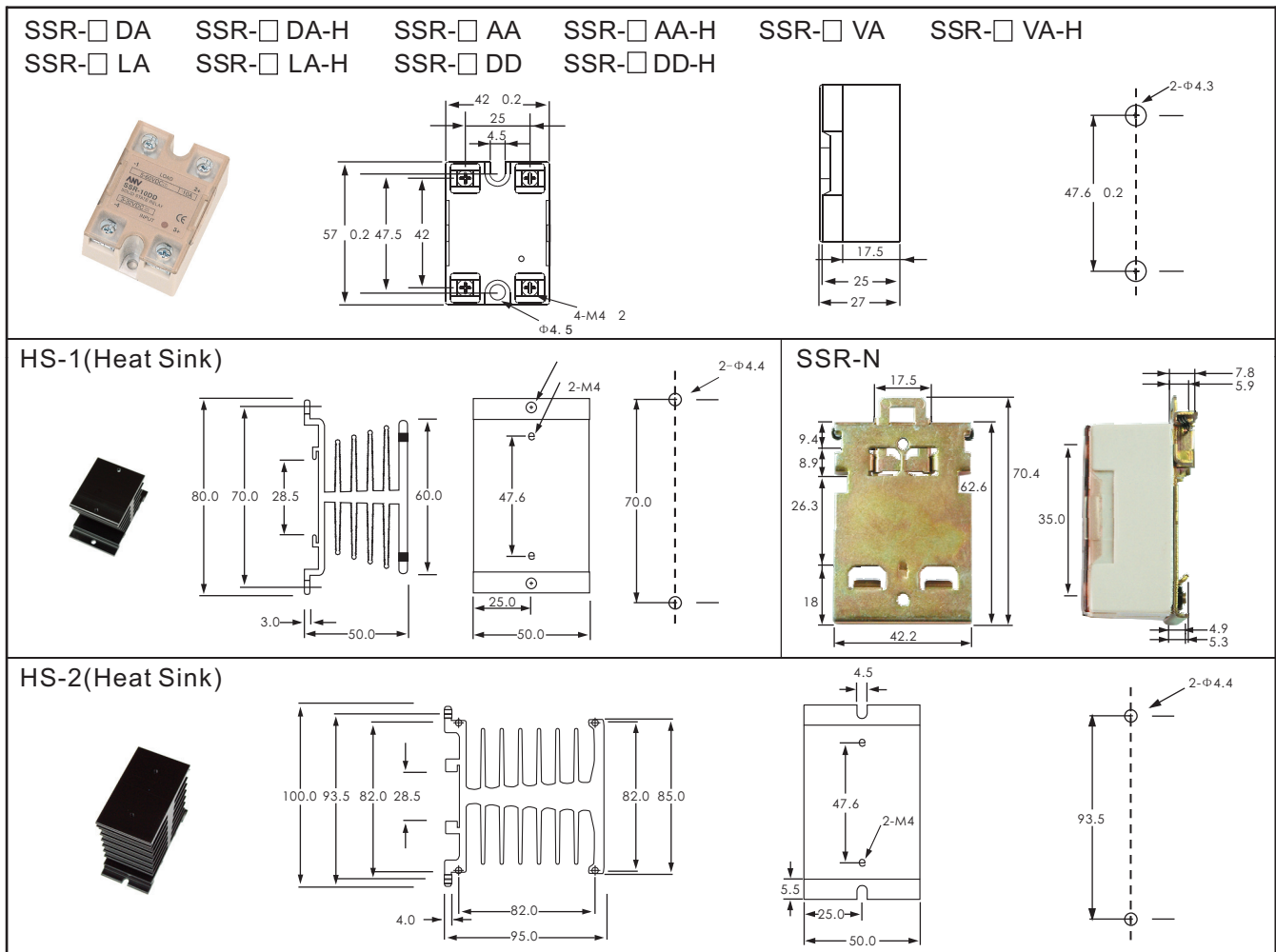




CONNECTION DIAGRAMS



DIMENSIONS



**ANV ANV ANV ELECTRIC CO., LTD.**

**Kaohsiung Headquarter**  
 No. 151, Jin Shan Road, Kaohsiung, Taiwan  
 Tel :+886 7 359 5833 Fax :+886 7 359 5822  
 E-Mail : anv@anv.com.tw

**Tainan Office**  
 No. 60, Lin Sen Road Sec. 1, Tainan, Taiwan  
 Tel :+886 6 216 0988 Fax :+886 6 216 0388  
 E-Mail : tainan@anv.com.tw

**Taichung Office**  
 No. 532, Wen Hsin Road Sec. 1, Taichung, Taiwan  
 Tel :+886 4 2320 9930 Fax :+886 4 2320 9960  
 E-Mail : taichung@anv.com.tw

**ANV ELECTRIC (HK) LTD**  
 Flat 5, 12/F., Yale Ind. Centre, 61-63 Au Pui Wan Street, Fotan, Shatin, N.T., Hong Kong  
 Tel :+852 2690 2588 Fax :+852 2690 2511  
 E-Mail : anv@anv.com.hk

**ANV ELECTRIC (M) SDN. BHD**  
 25-1, Jalan 1/116B, Kuchai Entrepreneur's Park, Off Jalan Kuchai Lama, 58200 Kuala Lumpur, Malaysia  
 Tel :+60 3 7980 3328 Fax :+60 3 7980 3779  
 E-Mail : anv@anv.com.my