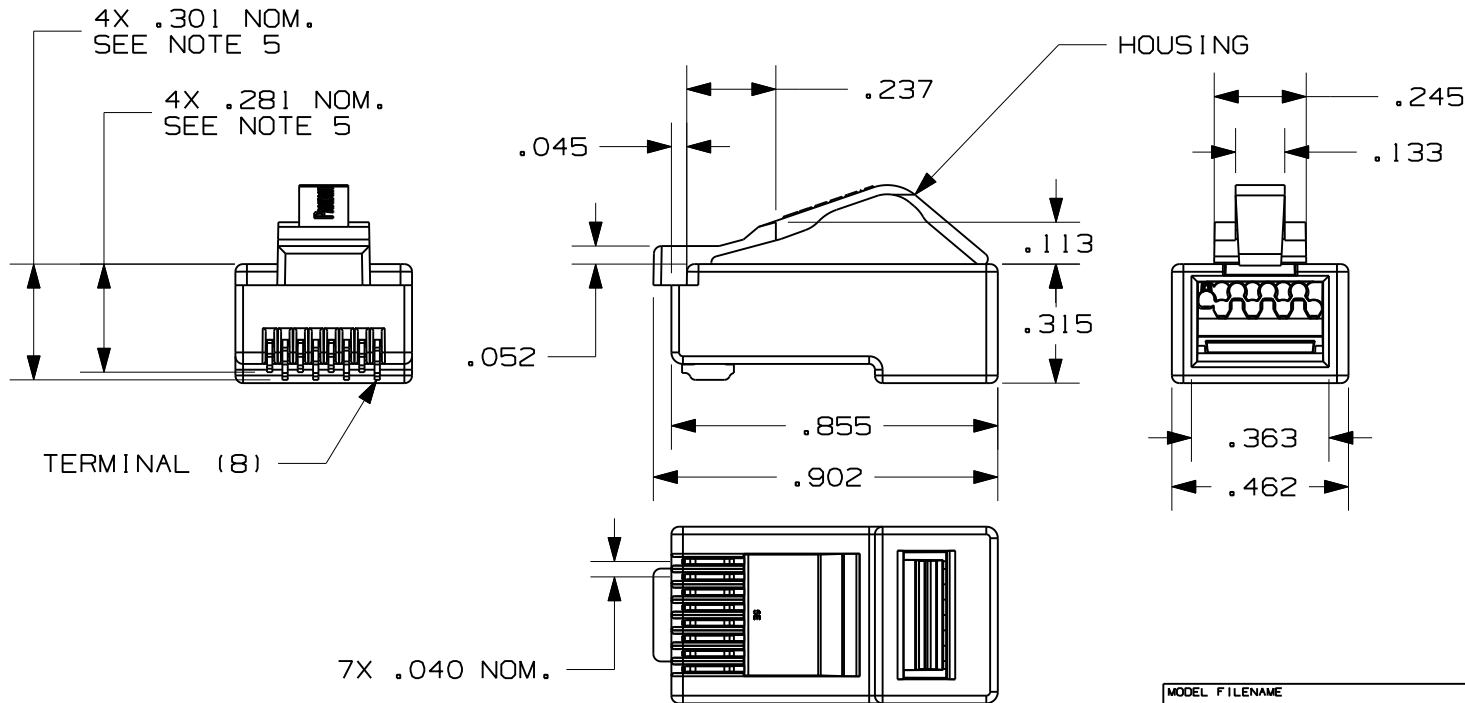


THIS COPY IS PROVIDED ON A RESTRICTED BASIS AND IS NOT TO BE USED IN ANY WAY DETRIMENTAL TO THE INTERESTS OF PANDUIT CORP.

NOTES:

1. PART NUMBER: SEE TABLE.
2. MATERIAL: HOUSING - THERMOPLASTIC UL94V-0 RATED; TERMINAL - PHOSPHOR BRONZE ELECTRO-POLISHED AND PLATED WITH .000050" MIN. GOLD IN MATING AREA, GOLD FLASH OVER REMAINDER, .000100" MIN. NICKEL UNDERPLATE.
3. PLUG WILL ACCEPT MOST 24-26 AWG STRANDED OR SOLID CONDUCTOR WITH MAXIMUM INSULATOR DIAMETER OF .040".
4. ALL DIMENSIONS MAXIMUM UNLESS OTHERWISE SPECIFIED.
5. TERMINATED DIMENSIONS: .237±.005".

PART NO.	PACKAGED
MP588-L	50/BAG
MP588-M	1000/BAG
MP588-C	100/BOX



MODEL FILENAME	D35123JP/00	SIZE	A
DRAWING FILENAME	D35123AL_DC17/00E		

PAN-PLUG HIGH PERFORMANCE MODULAR PLUG CUSTOMER DRAWING



REV	DATE	BY	CHK	DESCRIPTION	ECN	R	CUST	SUP	OTH
04	1-7-10	BJN	EJH	G. UPDATED MODEL TO LATEST REVISIONS	35123-17		PBD		
03	7-13-07	BJN	EJH	F. UPDATED MODEL TO LATEST REVISIONS	35123-17	REGA			
02	4-7-06	NER	PBD	E. UPDATED TITLE BLOCK. D. REVISED NOTE 3.	35123-17	LDS		LDS	
01	11-14-00	LZ	RAV	C. TITLE WAS "MOD. PLUG ASSY 8 POS ...CUST. DWG. B. ADDED MP588-C TO CHART A. MP588-M WAS CARTON	35123-17	LDS		LDS	
R	9-14-00	LZ	RAV	RELEASED TO PRODUCTION	35123-17	LDS			

<p>PANDUIT™ CORP. TINLEY PARK, ILL 60477</p>	I.I. NUMBER
	PRODUCT SPEC/ PKG SPEC
<p>THIRD ANGLE PROJECTION</p>	ASSY METHOD/ TEST METHOD
	SCALE
DRAWN BY	PART NO.
DATE	MP588 - *
CHK'D	DRAWING NO.
RAV	35123-17
REVIEW DRAWING NUMBERS	
MAT'L	AS NOTED

ALL DIMENSIONS ARE GIVEN IN INCHES, UNLESS OTHERWISE SPECIFIED.
DIMENSIONAL TOLERANCES ARE:
(.X) ±N/A (.XXX) ±N/A
(.XX) ±N/A ANGLES ±N/A