



ON Semiconductor®

<http://onsemi.com>

LV0104CS

Monolithic Linear IC

Halogen-free Digital Ambient Light Sensor

Overview

LV0104CS is a Photo IC for micro-sized Ambient Light sensor which has the characteristics of spectral response similar to that of human eyes. It is suitable for the applications like mobile phone (for Digital-TV, One-segment), LCD-TV, laptop computer, PDA, DSC and Camcorder.

Functions

- Smallest OD-CSP package in the world (1.08mm × 1.08mm thickness: 0.6mm)
- Great spectrum sensitivity characteristic
- 16-Bit Digital Output for I²C-BUS
- Low Current consumption, Integrated Sleep function

Specifications

Absolute Maximum Ratings at Ta=25°C

Parameter	Symbol	Conditions	Ratings	Unit
Power Supply Voltage	V _{DD}		4.0	V
Logic I/O levels	V _{IO}		-0.3 to V _{DD} +0.3	V
Operating temperature range	T _{opr}		-30 to 85	°C
Storage temperature range	T _{stg}		-40 to 100	°C

Stresses exceeding Maximum Ratings may damage the device. Maximum Ratings are stress ratings only. Functional operation above the Recommended Operating Conditions is not implied. Extended exposure to stresses above the Recommended Operating Conditions may affect device reliability.

Recommended Operating Conditions at Ta = 25°C

Parameter	Symbol	Condition	Min.	Typ	Max.	Unit
Recommended Supply Voltage	V _{DD op}		2.3	2.5	3.6	V
Input low level voltage	V _{IL}	SCL, SDA			0.55	V
Input high level voltage	V _{IH}	SCL, SDA, V _{DD} =2.8V	1.26			V
Output low level voltage	V _{OL}	SDA, IOL=3mA			0.4	V
Input leak current	I _{LEAK}	SCL, SDA	-5		5	μA

* I²C interface(SCL, SDA) is for V_{io}=1.8V operation.

LV0104CS

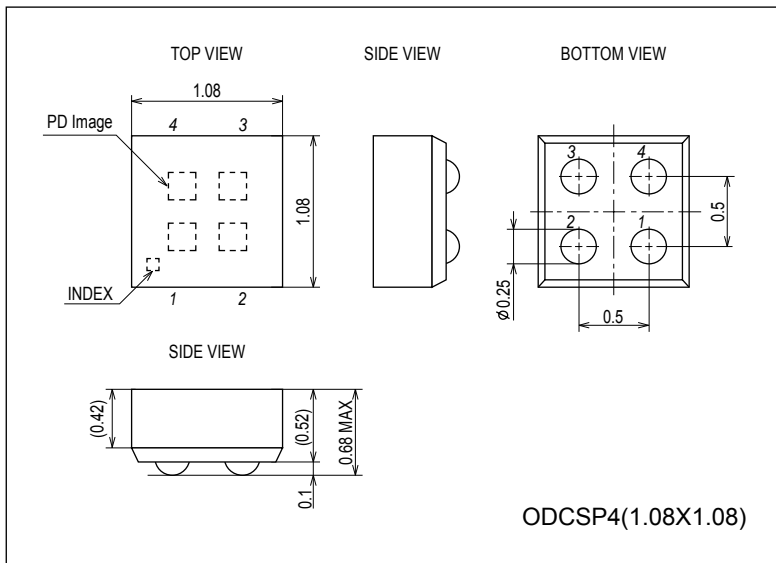
Electrical Characteristics at Ta = 25°C, VCC = 5V

Parameter	Symbol	Conditions	Min.	Typ	Max.	Unit
Supply Current	I _{DD}	Ev=0 lux		70	100	μA
Sleep Current	I _{SLP}	Sleep mode, Ev=0 lux			1	μA
Internal Oscillator Frequency	f _{OSC}			655		kHz
Dark ADC count value	D0	Ev=0 lux, High gain mode			5	counts
Full scale ADC count value	D max				65535	counts
ADC count value	Data HH	Gain×8mode, Ev=1000lx		8000		counts
	Data HM	Gain×2 mode, Ev=1000lx		2000		counts
	Data N	Gain×1 mode, Ev=1000lx	750	1000	1250	counts
	Data L	Gain×0.25 mode, Ev=1000lx		250		counts
Resolution	ReHH1	Tint=200ms, Gain×8 mode		0.125		lx
	ReHH2	Tint=100ms, Gain×8 mode		0.25		lx
	ReHH3	Tint=12.5ms, Gain×8 mode		2		lx
	ReHM1	Tint=200ms, Gain×2 mode		0.5		lx
	ReHM2	Tint=100ms, Gain×2 mode		1		lx
	ReHM3	Tint=12.5ms, Gain×2 mode		8		lx
	ReN1	Tint=200ms, Gain×1 mode		1		lx
	ReN2	Tint=100ms, Gain×1 mode		2		lx
	ReN3	Tint=12.5ms, Gain×1 mode		16		lx
	ReL1	Tint=200ms, Gain×0.25 mode		4		lx
	ReL2	Tint=100ms, Gain×0.25 mode		8		lx
	ReL3	Tint=12.5ms, Gain×0.25 mode		64		lx

Package Dimensions

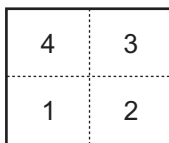
unit : mm (typ)

3371

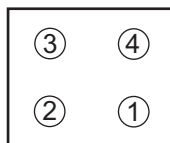


Pad layout

<Top view>



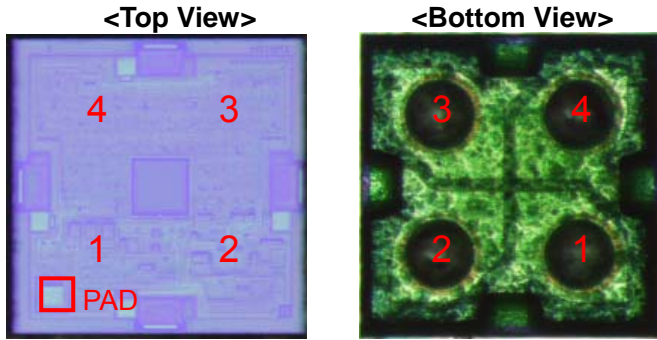
<Bottom view>



Ball Pitch: 0.5mm, Ball Size: 0.25mm

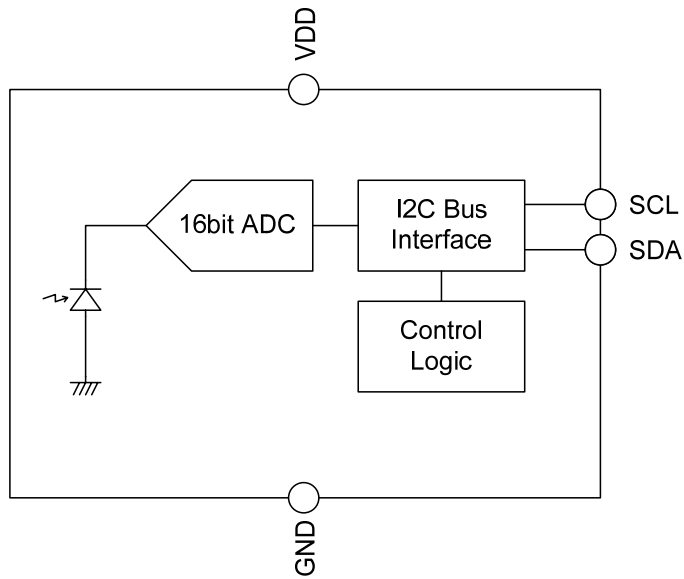
No.	Name	Function
1	VCC	Supply voltage pin
2	GND	GND pin
3	SCL	I ² C serial clock
4	SDA	I ² C serial data

Pad layout (Photos)

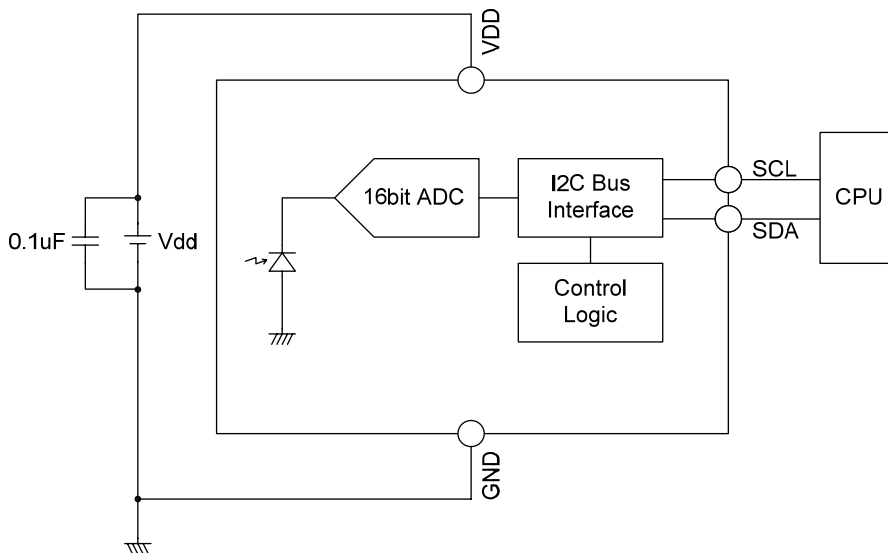


* The position with PAD becomes pin 1.

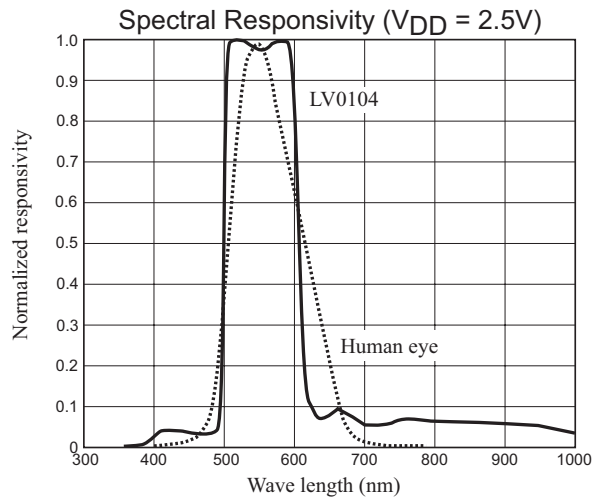
Block Diagram



Application circuits



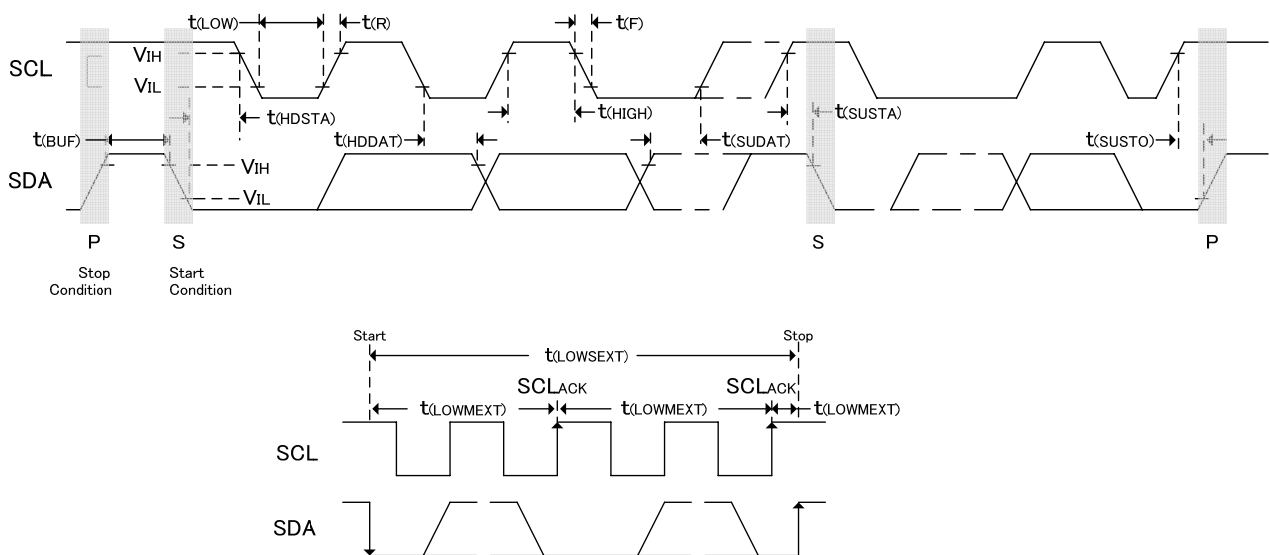
Spectrum Sensitivity Characteristic



I²C Interface

The control command is received from the operation of the device by the I²C bus (Two-wire serial interface). The obtained data is output to the operation by the I²C bus.

I²C Bus Timing Diagram



Serial Interface Timing

Parameter	Symbol	Standard Mode		Fast Mode		Unit
		Min	Min	Min	Max	
Clock frequency	f(SCL)	10	100	10	400	kHz
Bus free time between start and stop condition	t(BUF)	4.7		1.3		µs
Hold time after (repeated) start condition. After this period, the first	t(HDSTA)	4.0		0.6		µs
Repeated start condition setup time	t(SUSTA)	4.7		0.6		µs
Stop condition setup time	t(SUSTO)	4.0		0.6		µs
Data hold time	t(HDDAT)	300		90		ns
Data setup time	t(SUDAT)	250		100		ns
I ² C clock (SCL) low period	t(LOW)	4.7		1.3		µs
I ² C clock (SCL) high period	t(HIGH)	4.0		0.6		µs
Clock / data fall time	t(F)		300		300	ns
Clock / data rise time	t(R)		1000		300	ns

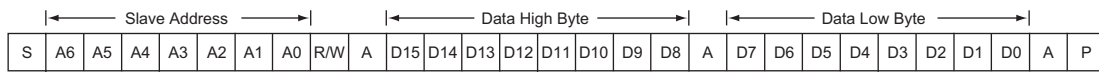
*Specified by design and characterization ; not production tested.

LV0104CS

Data Format (Write)



Data Format (Read)

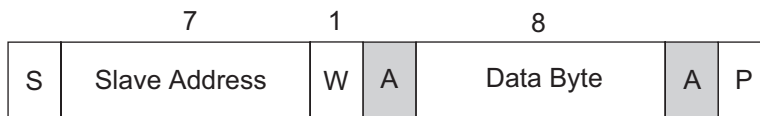


•Slave Address

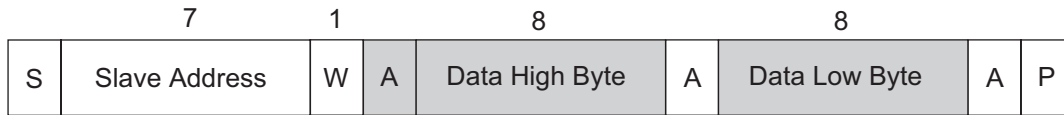
A6	A5	A4	A3	A2	A1	A0	R/W
0	0	1	0	0	1	1	X

R/W: Read: 1, Write: 0

(1) Write Protocol (R/W=0)



(2) Read Protocol (R/W=1)



Master to Slave Slave to Master

S: Start Condition
P: Stop Condition
A: Acknowledge
W: Write
R: Read

Register Set

(1) Measurement

	D7	D6	D5	D4	D3	D2	D1	D0
Name	MODE1	MODE0	-	GAIN1	GAIN0	INTEG1	INTEG0	MANUAL
	11:Active			00: x0.25 01: x1 10: x2 11: x8		00: 12.5ms 01: 100ms 10: 200ms 11: Manual		0: Start 1: Stop
Default	00		1	0	1	10		0

(2) Sleep mode

	D7	D6	D5	D4	D3	D2	D1	D0
Name	MODE1	MODE0	-	-	-	-	-	-
	00:Sleep		x	x	x	x	x	x
Default	00		x	x	x	x	x	x

(3) Setting Sensitivity

	D7	D6	D5	D4	D3	D2	D1	D0
Name	MODE1	MODE0	ADJ5	ADJ4	ADJ3	ADJ2	ADJ1	ADJ0
	10:Setting		0: Minus 1: Plus	ADJ4	ADJ3	ADJ2	ADJ1	ADJ0
Default	00		0	0	0	0	0	0

LV0104CS

Bits D5 to D0						Description
ADJD	ADJ4	ADJ3	ADJ2	ADJ1	ADJ0	
0	0	0	0	0	1	66.7%
.	
0	0	1	0	1	0	95.2%
.	
1	0	0	1	1	0	108.3%
.	
1	0	0	0	0	1	150%

<Width of sensitivity adjustment>

66.7% to 150% (ADJ5 to ADJ0=000001=66.7%, ADJ5 to ADJ0 = 100001 = 150%)

<Sensitivity Calculation>

- Decreasing Sensitivity (ADJ5=0)

$$S_n = 16 \cdot \text{ADJ4} + 8 \cdot \text{ADJ3} + 4 \cdot \text{ADJ2} + 2 \cdot \text{ADJ1} + \text{ADJ0}$$

$$S = 2 \cdot S_n / (2 \cdot S_n + 1)$$

(Example) ADJ5 to ADJ0 = 001010, $S_n = 8 + 2 = 10$, $S = 20 / 21 = 0.952$. The sensitivity is 95.2%

- Increasing Sensitivity (ADJ5=1)

$$S_n = 16 \cdot \text{ADJ4} + 8 \cdot \text{ADJ3} + 4 \cdot \text{ADJ2} + 2 \cdot \text{ADJ1} + \text{ADJ0}$$

$$S = (2 \cdot S_n + 1) / 2 \cdot S_n$$

(Example) ADJ5 to ADJ0 = 100110, $S_n = 4 + 2 = 6$, $S = 13 / 12 = 1.083$. The sensitivity is 108.3%.

(4) Read data

Measurement result is registered to ADC channel data registers (DH,DL) in below format.

	D15	D14	D13	D12	D11	D10	D9	D8
DH (Data Higher byte)	DH7(2 ¹⁵)	DH6(2 ¹⁴)	DH5(2 ¹³)	DH4(2 ¹²)	DH3(2 ¹¹)	DH2(2 ¹⁰)	DH1(2 ⁹)	DH0(2 ⁸)
	D7	D6	D5	D4	D3	D2	D1	D0
DL (Data Lower byte)	DL7(2 ⁷)	DL6(2 ⁶)	DL5(2 ⁵)	DL4(2 ⁴)	DL3(2 ³)	DL2(2 ²)	DL1(2 ¹)	DL0(2 ⁰)

- Lux calculation

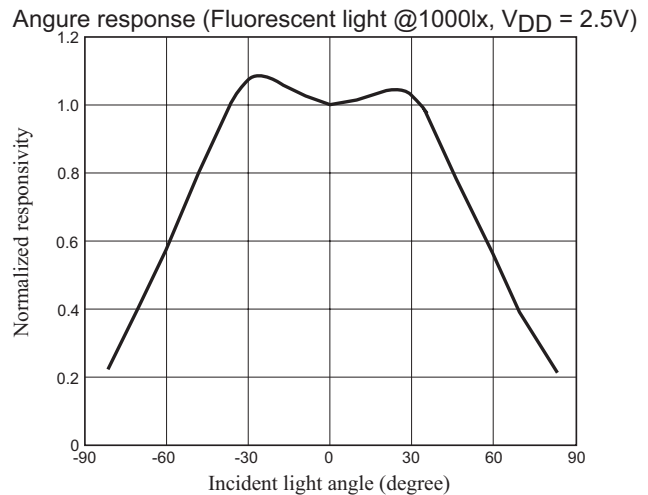
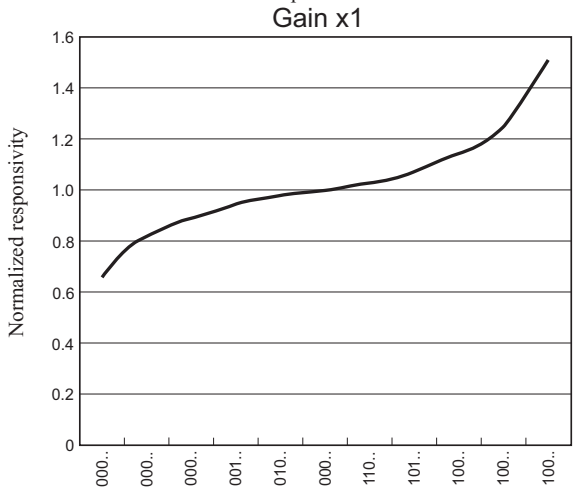
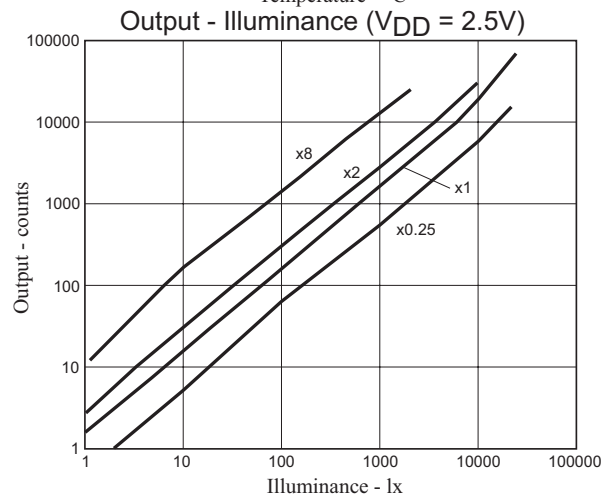
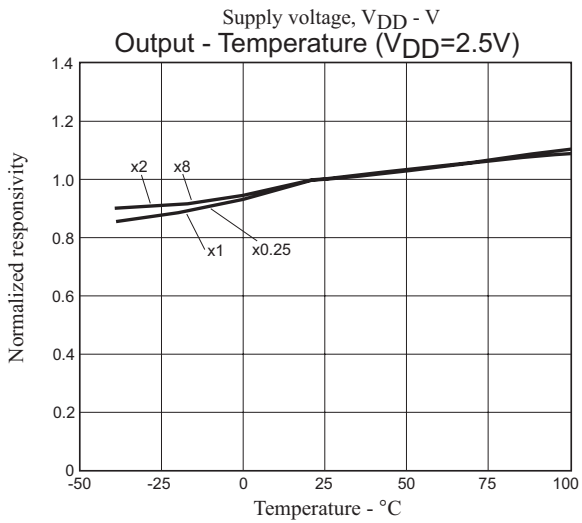
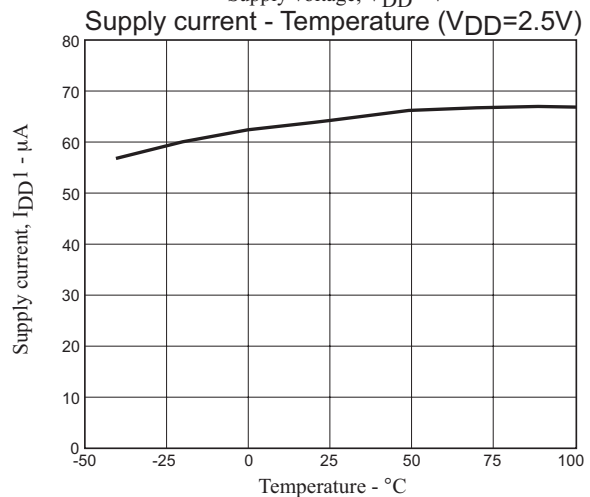
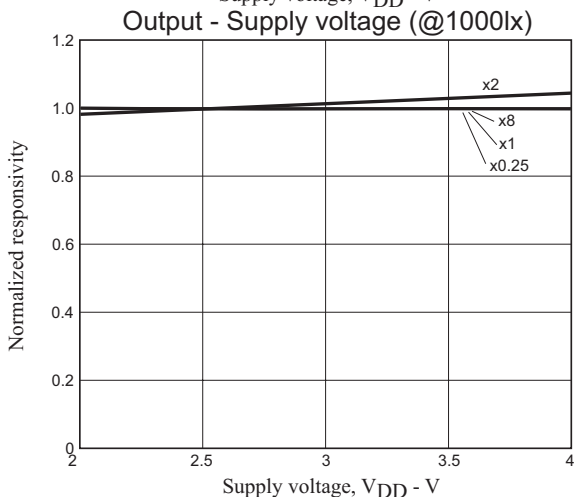
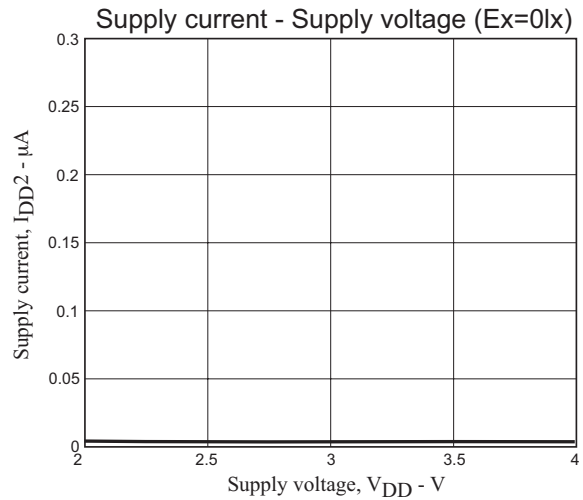
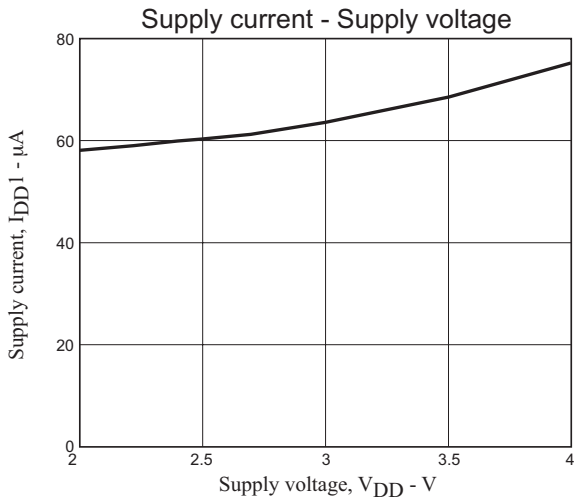
(Example)

DH = "0010_0100" (DH5, DH2 = 1)

DL = "1000_0001" (DL7, DL0 = 1)

$$2^{13}(8192) + 2^{10}(1024) + 2^7(128) + 2^0(1) = 9345[\text{lx}]$$

LV0104CS



ON Semiconductor and the ON logo are registered trademarks of Semiconductor Components Industries, LLC (SCILLC). SCILLC owns the rights to a number of patents, trademarks, copyrights, trade secrets, and other intellectual property. A listing of SCILLC's product/patent coverage may be accessed at www.onsemi.com/site/pdf/Patent-Marking.pdf. SCILLC reserves the right to make changes without further notice to any products herein. SCILLC makes no warranty, representation or guarantee regarding the suitability of its products for any particular purpose, nor does SCILLC assume any liability arising out of the application or use of any product or circuit, and specifically disclaims any and all liability, including without limitation special, consequential or incidental damages. "Typical" parameters which may be provided in SCILLC data sheets and/or specifications can and do vary in different applications and actual performance may vary over time. All operating parameters, including "Typicals" must be validated for each customer application by customer's technical experts. SCILLC does not convey any license under its patent rights nor the rights of others. SCILLC products are not designed, intended, or authorized for use as components in systems intended for surgical implant into the body, or other applications intended to support or sustain life, or for any other application in which the failure of the SCILLC product could create a situation where personal injury or death may occur. Should Buyer purchase or use SCILLC products for any such unintended or unauthorized application, Buyer shall indemnify and hold SCILLC and its officers, employees, subsidiaries, affiliates, and distributors harmless against all claims, costs, damages, and expenses, and reasonable attorney fees arising out of, directly or indirectly, any claim of personal injury or death associated with such unintended or unauthorized use, even if such claim alleges that SCILLC was negligent regarding the design or manufacture of the part. SCILLC is an Equal Opportunity/Affirmative Action Employer. This literature is subject to all applicable copyright laws and is not for resale in any manner.