

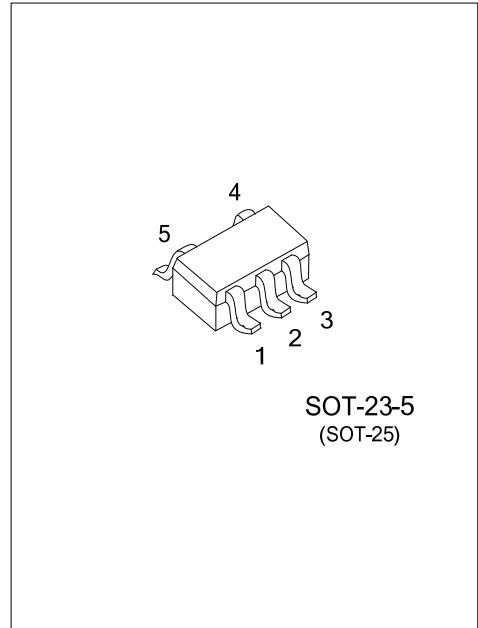


**LMV331**

Preliminary

**LINEAR INTEGRATED CIRCUIT**

**SINGLE GENERAL PURPOSE,  
LOW VOLTAGE, SMALL PACK  
COMPARATORS**



■ **DESCRIPTION**

The UTC **LMV331** is the single version, which is available in space saving SOT23-5 packages. The UTC **LMV331** is the most cost-effective solution where space, low voltage, low power and price are the primary specification in circuit design for portable consumer products. The UTC **LMV331** have bipolar input and output stages for improved noise performance.

■ **FEATURES**

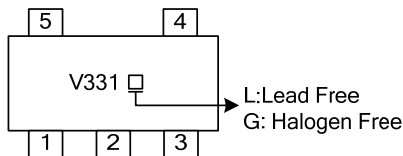
- \* Low operating voltage 2.7-5V.
- \* Industrial temperature range (-40°C~+85°C)
- \* Low supply current 60µA
- \* Input common mode voltage range includes ground
- \* Low output saturation voltage 0.2V

■ **ORDERING INFORMATION**

Ordering Number		Package	Packing
Lead Free Plating	Halogen Free		
LMV331L-AE5-R	LMV331G-AE5-R	SOT-23-5	Tape Reel

<p>LMV331L-AE5-R</p> <p>(1) Packing Type (2) Package Type (3) Lead Free</p>	<p>(1) R: Tape Reel (2) AE5: SOT-23-5 (3) L: Lead Free, G: Halogen Free</p>
---	---

■ **MARKING**

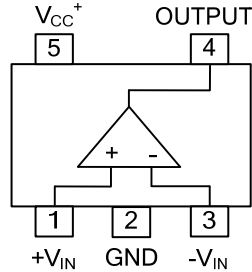


**LMV331**

Preliminary

*LINEAR INTEGRATED CIRCUIT*

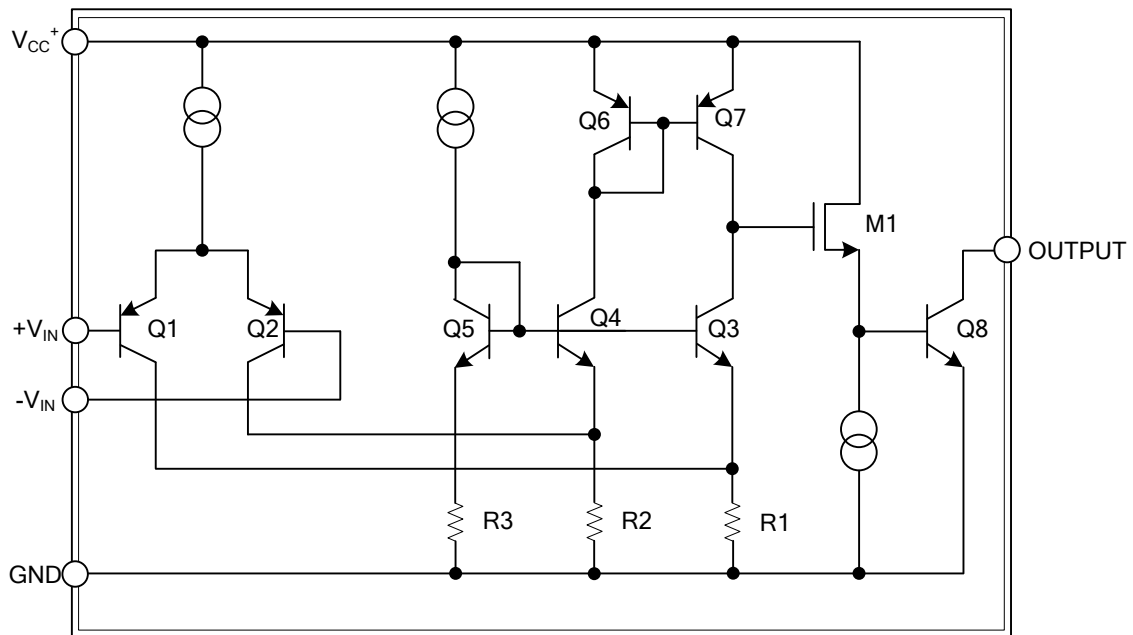
■ PIN CONFIGURATION



■ PIN DESCRIPTION

PIN NO.	PIN NAME	DESCRIPTION
1	+V <sub>IN</sub>	Non-inverting input
2	GND	Ground
3	+V <sub>IN</sub>	inverting input
4	OUTPUT	Output
5	V <sub>CC</sub> <sup>+</sup>	Power supply

■ BLOCK DIAGRAM



### ■ ABSOLUTE MAXIMUM RATING

PARAMETER	SYMBOL	RATINGS	UNIT
Supply Voltage	$V_{CC}$	2.7~5.5	V
Differential Input Voltage	$V_{IN(DIFF)}$	$\pm V_{CC}$	V
Voltage on Any Pin (Referred to GND pin)		5.5	V
Soldering Information	Infrared or Convection (20 sec)	235	°C
Junction Temperature (Note 1)	$T_J$	150	°C
Operating Temperature	$T_{OPR}$	-40~+85	°C
Storage Temperature	$T_{STG}$	-65~+150	°C

Note: Absolute maximum ratings are those values beyond which the device could be permanently damaged. Absolute maximum ratings are stress ratings only and functional device operation is not implied.

### ■ THERMAL CHARACTERISTICS (Note1)

PARAMETER	SYMBOL	RATINGS	UNIT
Junction to Ambient	$\theta_{JA}$	265	°C/W

### ■ 2.7V DC ELECTRICAL CHARACTERISTICS

(All limits guaranteed for  $T_J=25^\circ\text{C}$ ,  $V_+=2.7\text{V}$ ,  $V_-=0\text{V}$ , unless otherwise specified. Boldface limits apply at the temperature extremes.)

PARAMETER	SYMBOL	TEST CONDITIONS	MIN	TYP (Note 2)	MAX (Note 3)	UNIT
Input Offset Voltage	$V_{OS}$			1.7	7	mV
Input Offset Voltage Average Drift	$TCV_{OS}$			5		$\mu\text{V}/^\circ\text{C}$
Input Bias Current	$I_B$			10	250	nA
Input Offset Current	$I_{OS}$			5	50	nA
Input Voltage Range	$V_{CM}$			-0.1		V
				2.0		V
Saturation Voltage	$V_{SAT}$	$I_{sink} \leq 1\text{mA}$		200		mV
Output Sink Current	$I_O$	$V_O \leq 1.5\text{V}$	5	23		mA
Supply Current	$I_S$			40	100	$\mu\text{A}$
Output Leakage Current				0.003	1	$\mu\text{A}$

### ■ 2.7V AC ELECTRICAL CHARACTERISTICS ( $T_J=25^\circ\text{C}$ , $V_+=2.7\text{V}$ , $R_L=5.1\text{k}\Omega$ , $V_-=0\text{V}$ .)

PARAMETER	SYMBOL	TEST CONDITIONS	MIN	TYP (Note 2)	MAX	UNIT
Propagation Delay (High to Low)	$t_{PHL}$	Input Overdrive=10mV		1000		ns
		Input Overdrive=100mV		350		ns
Propagation Delay (Low to High)	$t_{PLH}$	Input Overdrive=10mV		500		ns
		Input Overdrive=100mV		400		ns

### ■ 5V DC ELECTRICAL CHARACTERISTICS

(All limits guaranteed for  $T_J=25^\circ\text{C}$ ,  $V_+=5\text{V}$ ,  $V_-=0\text{V}$ , Unless otherwise specified. Boldface limits apply at the temperature extremes.)

PARAMETER	SYMBOL	TEST CONDITIONS	MIN	TYP (Note 2)	MAX (Note 3)	UNIT
Input Offset Voltage	$V_{OS}$			1.7	7	mV
Input Offset Voltage Average Drift	$TCV_{OS}$			5		$\mu\text{V}/^\circ\text{C}$
Input Bias Current	$I_B$			25	250	nA
Input Offset Current	$I_{OS}$			2	50	nA
Input Voltage Range	$V_{CM}$			-0.1		V
				4.2		V
Voltage Gain	$A_V$		20	50		V/mV
Saturation Voltage	$V_{SAT}$	$I_{sink} \leq 4\text{mA}$		200	400	mV
Output Sink Current	$I_O$	$V_O \leq 1.5\text{V}$	10	84		mA
Supply Current	$I_S$			60	120	$\mu\text{A}$
Output Leakage Current				0.003	1	$\mu\text{A}$

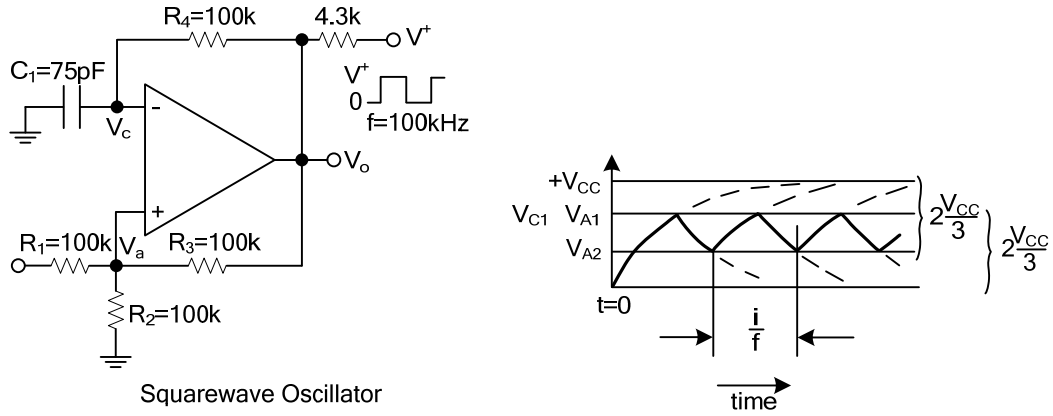
### ■ 5V AC ELECTRICAL CHARACTERISTICS ( $T_J=25^\circ\text{C}$ , $V_+=5\text{V}$ , $R_L=5.1\text{k}\Omega$ , $V_-=0\text{V}$ .)

PARAMETER	SYMBOL	TEST CONDITIONS	MIN	TYP (Note 2)	MAX	UNIT
Propagation Delay (High to Low)	$t_{PHL}$	Input Overdrive=10mV		600		ns
		Input Overdrive=100mV		200		ns
Propagation Delay (Low to High)	$t_{PLH}$	Input Overdrive=10mV		450		ns
		Input Overdrive=100mV		300		ns

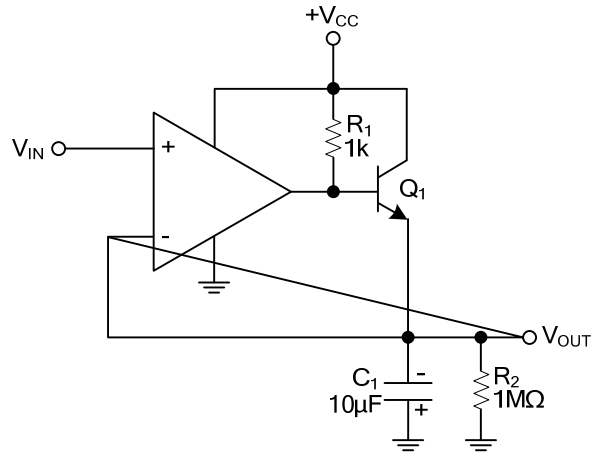
Notes: 1. The maximum power dissipation is a function of  $T_{J(max)}$ ,  $\theta_{JA}$ , and  $T_A$ . The maximum allowable power dissipation at any ambient temperature is  $P_D=(T_{J(max)}-T_A)/\theta_{JA}$ . All numbers apply for packages soldered directly into a PC board.

2. Typical Values represent the most likely parametric norm.
3. All limits are guaranteed by testing or statistical analysis.

■ TYPICAL APPLICATION CIRCUIT



Squarewave Oscillator



Positive Peak Detector

UTC assumes no responsibility for equipment failures that result from using products at values that exceed, even momentarily, rated values (such as maximum ratings, operating condition ranges, or other parameters) listed in products specifications of any and all UTC products described or contained herein. UTC products are not designed for use in life support appliances, devices or systems where malfunction of these products can be reasonably expected to result in personal injury. Reproduction in whole or in part is prohibited without the prior written consent of the copyright owner. The information presented in this document does not form part of any quotation or contract, is believed to be accurate and reliable and may be changed without notice.