

MTG-GS-262

ISSUE 1

REVISIONS

12/98
I. WEIR
DRAWN
CHECK
DESIGN
AUTHOR

Honeywell

GLOBAL SAFETY SWITCH MTG-GS-262

CATALOGUE LISTING CHART NO.

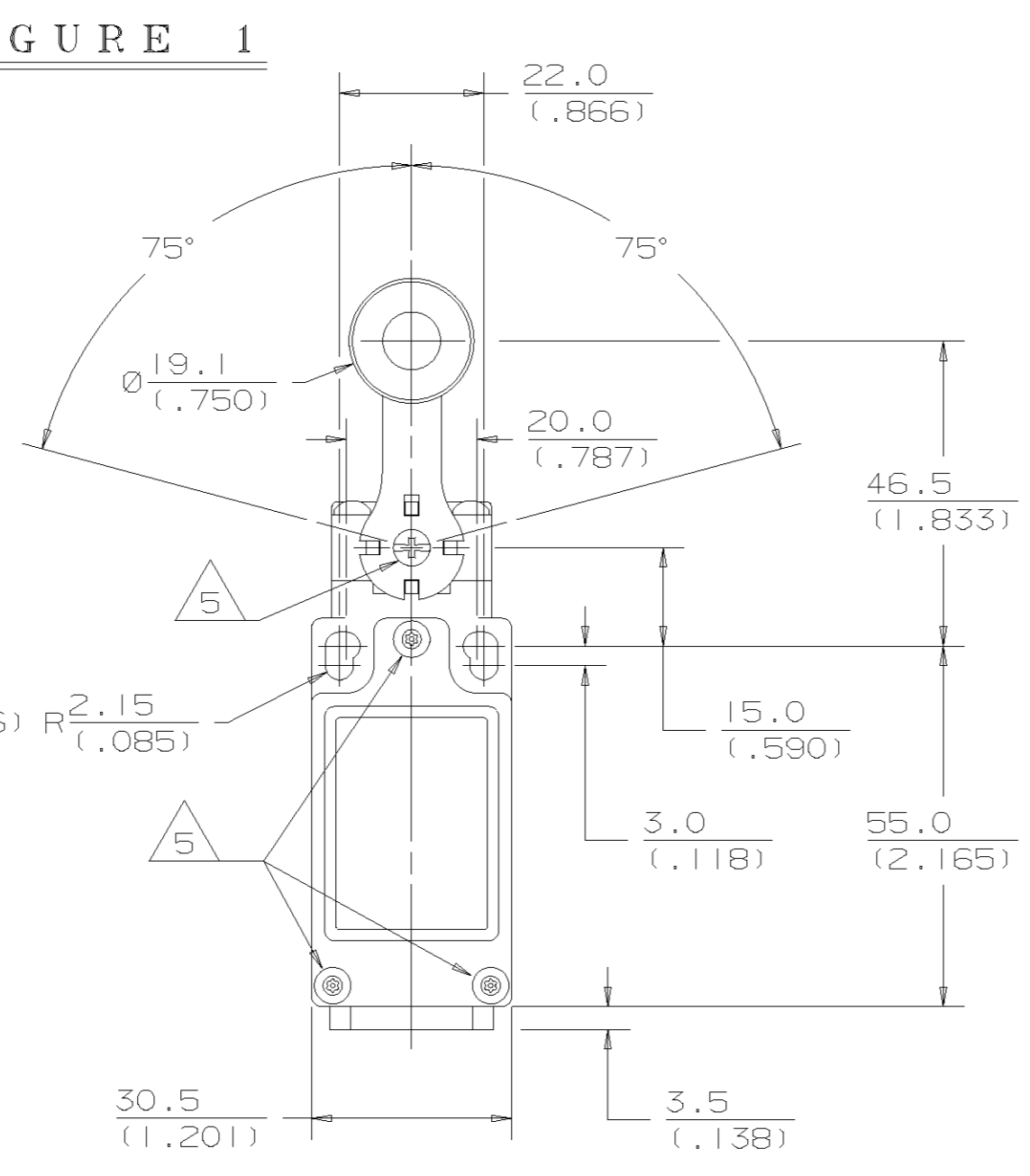
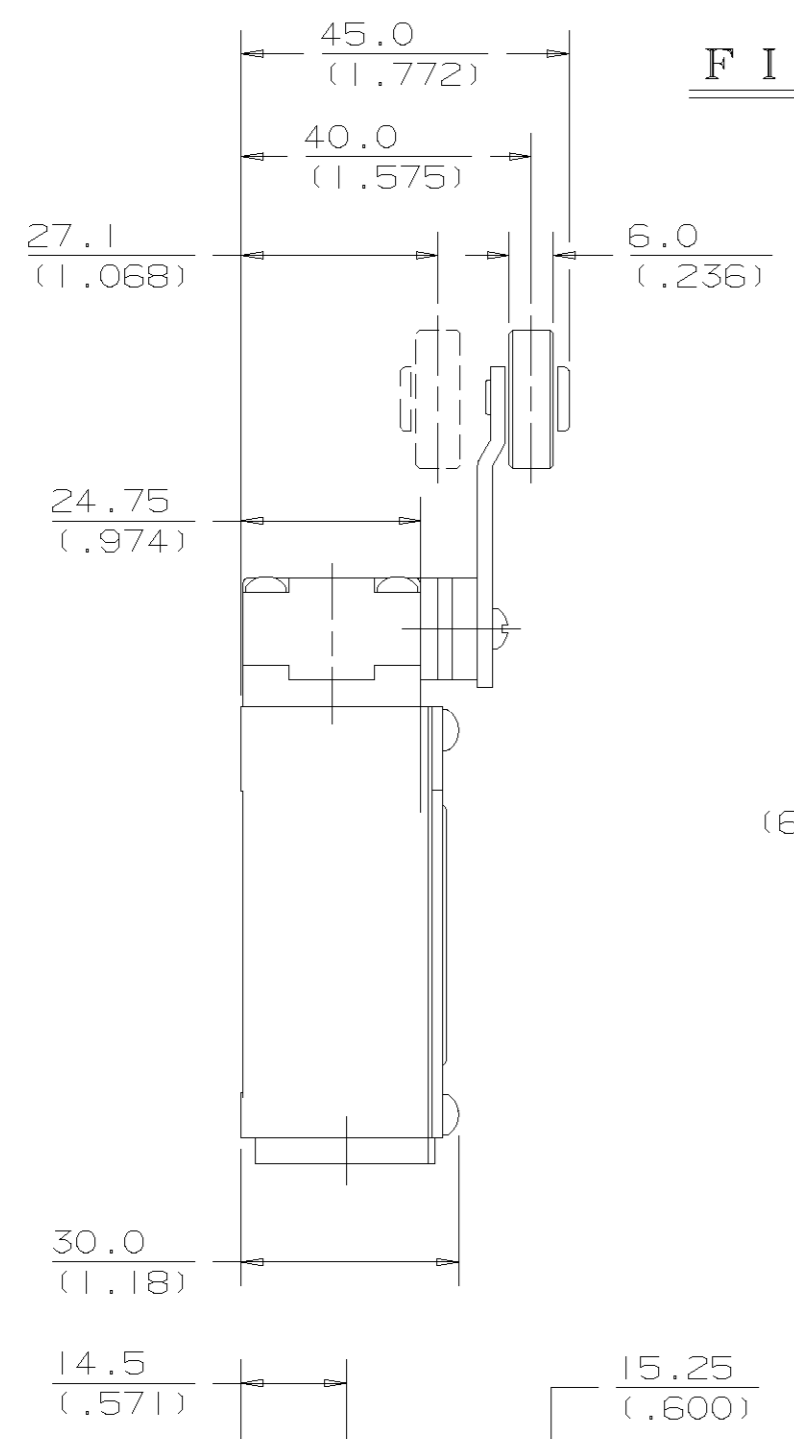
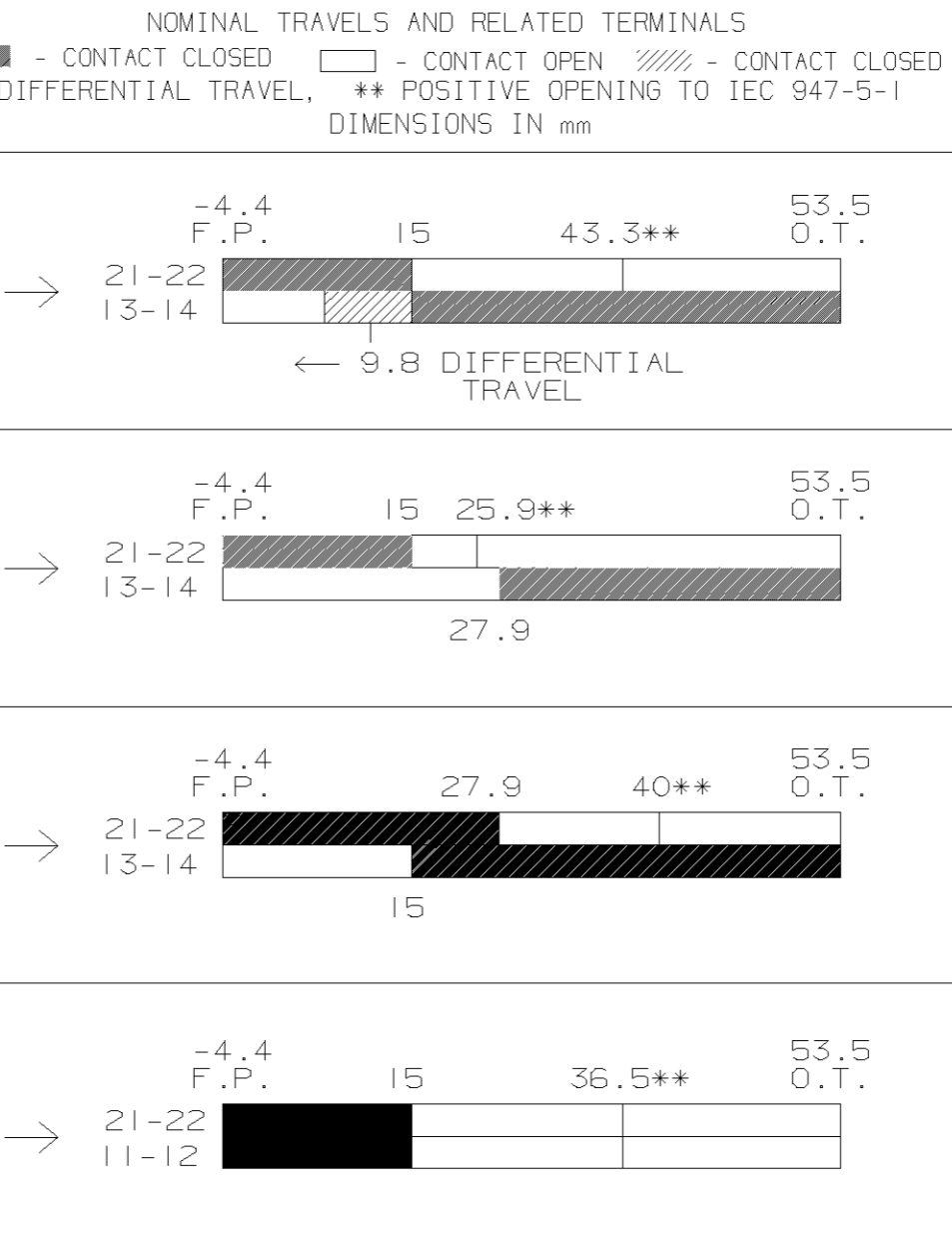


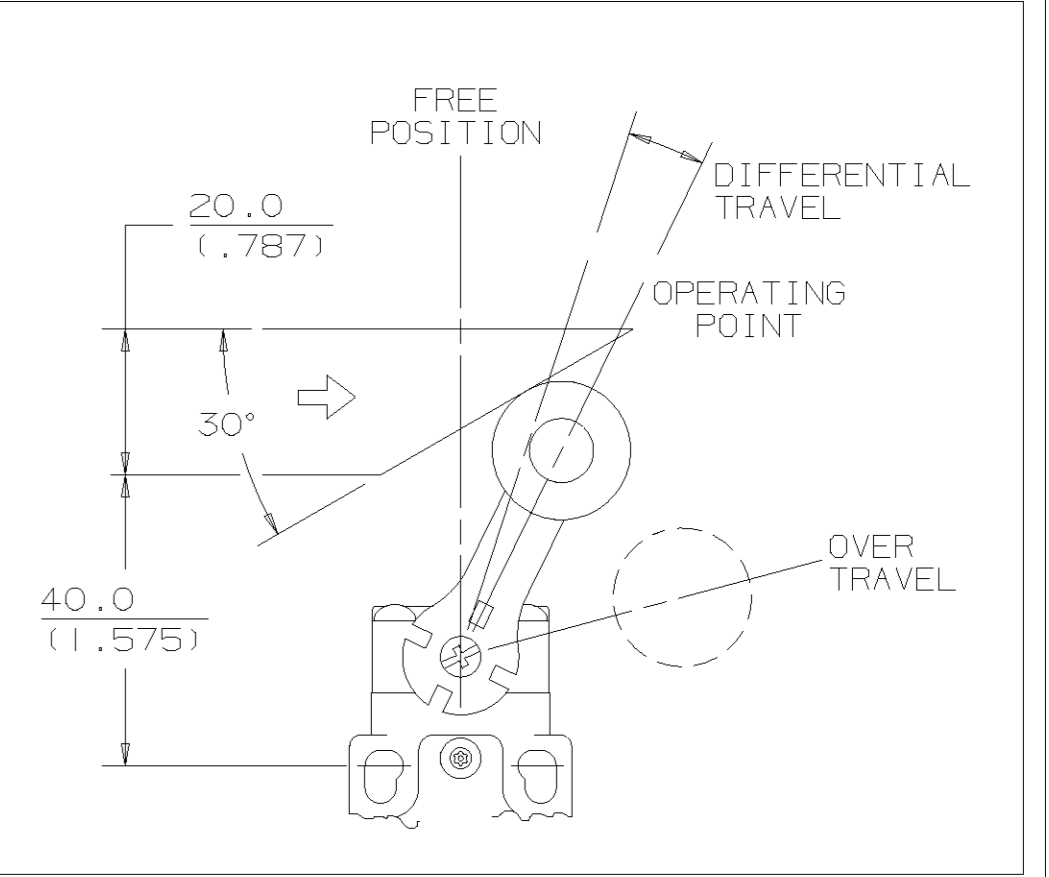
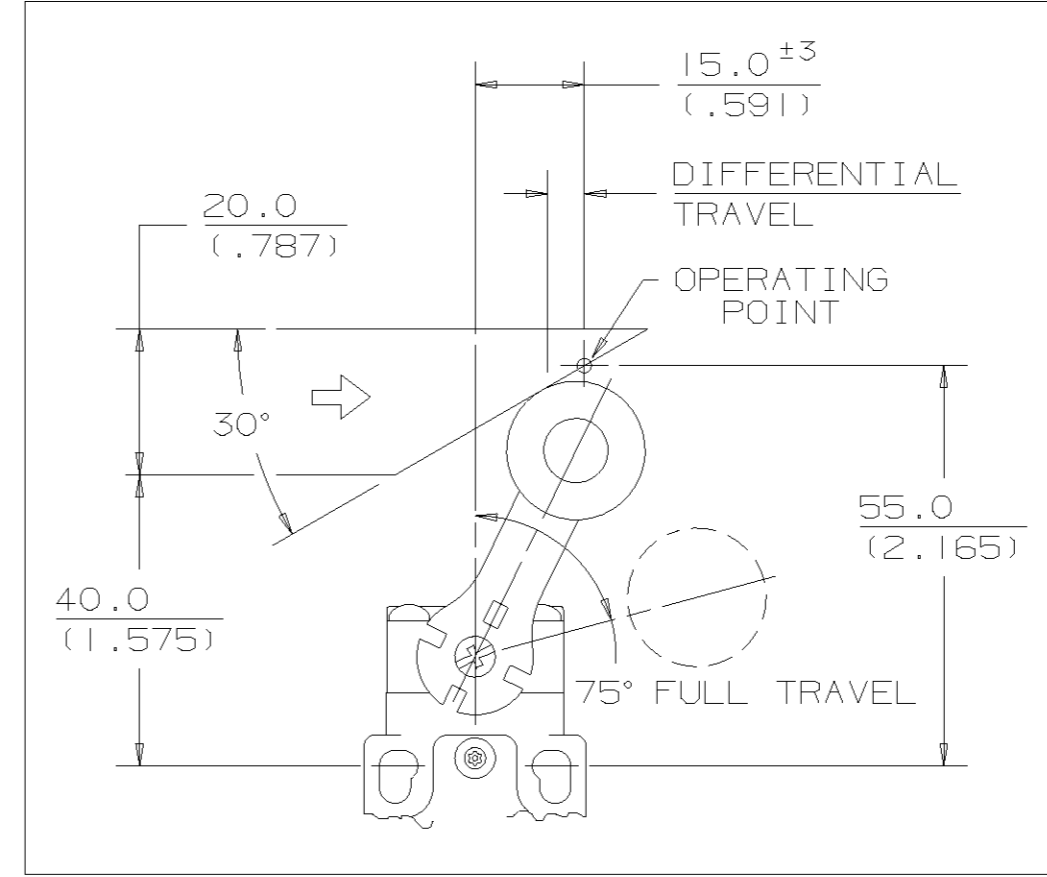
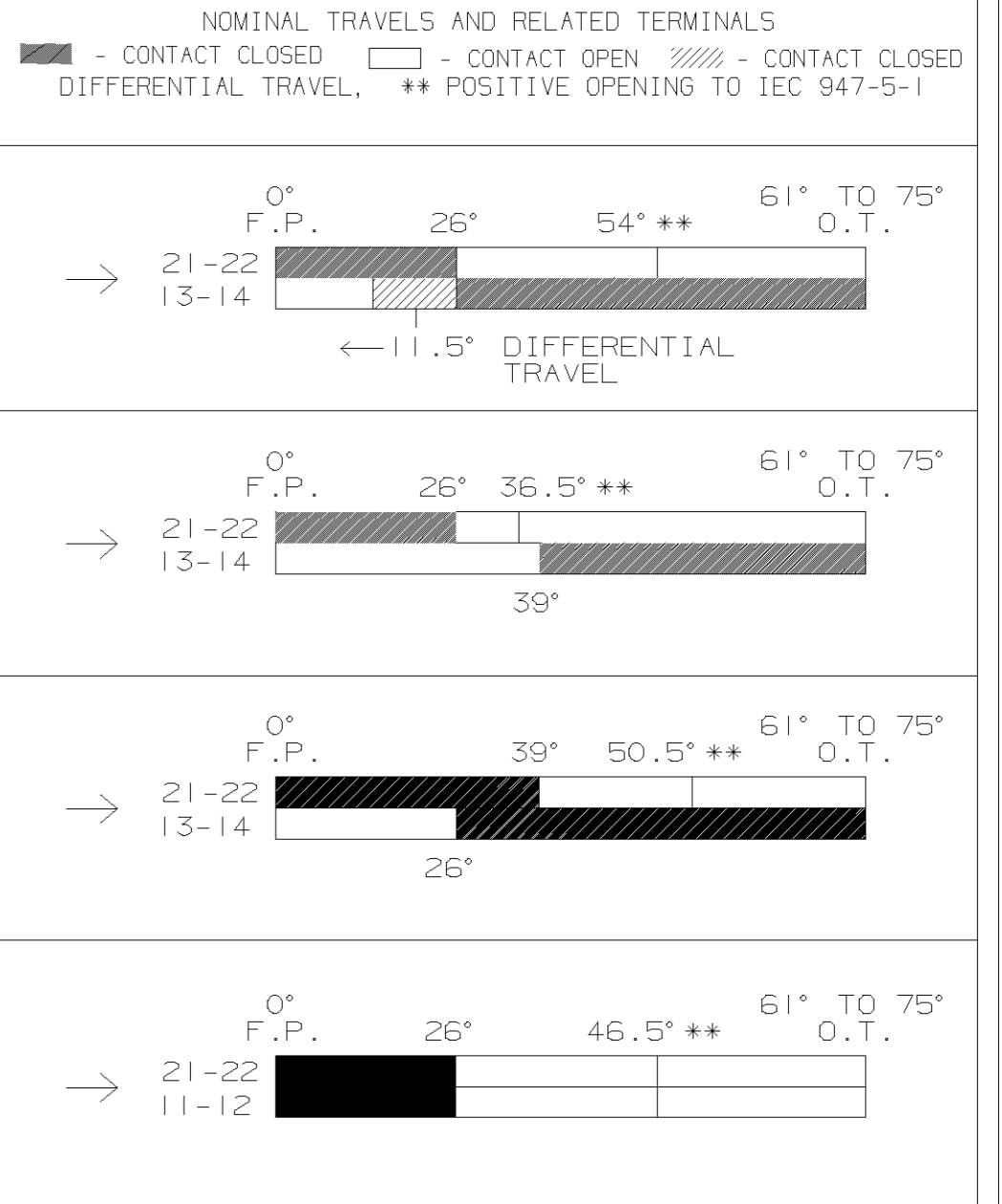
FIGURE 3

BASIC SWITCH	CONTACT BLOCK DIAGRAM	OPERATING TORQUE MAX Nmm in. lbs	DISCONNECT TORQUE MAX Nmm in. lbs
01 07	SNAP ACTION SINGLE POLE 	120 1.1	140 1.3
03 33	SLOW ACTION BREAK BEFORE MAKE 	110 1.0	160 1.5
04 34	SLOW ACTION MAKE BEFORE BREAK 	110 1.0	170 1.6
06 36	SLOW ACTION 2 NORMALLY CLOSED 	110 1.0	150 1.4

CAM ACTUATION PER EN50047



ANGULAR ACTUATION



MIN. OPERATING VELOCITY = 2.0mm/S (.08in/S)
MAX. OPERATING VELOCITY = 200mm/S (7.9in/S)
MAX. OPERATING FREQUENCY = 250 OPS/MINUTE

CONDUIT THREAD (SEE FIGURES 1 & 2)

EN50047 BODY TYPE (SEE FIGURE 1)

SIDE ROTARY ROLLER ACTUATOR (SEE FIGURE 1)

ROLLER MATERIAL
A = PLASTIC : B = METAL : BLANK = NO ROLLER

ROLLER ORIENTATION (SEE FIGURES 1 & 4)

MODIFICATION CODE (THREAD TYPE 'B' ONLY)

1/2" NPT X 14 CONDUIT THREAD

PG 13.5 CONDUIT THREAD

M20 X 1.5 CONDUIT THREAD

PF 1/2 CONDUIT THREAD

SILVER CONTACT BASIC SWITCHES

GOLD PLATED CONTACT BASIC SWITCHES

BLANK = STANDARD ORIENTATION - ROLLER PARALLEL TO MOUNTING SURFACE. SWITCHING IN BOTH DIRECTIONS. (SEE FIGURE 1)

1
2
3
4
5

01 07
03 33
04 34
06 36

A1 X
1 C02X
Q01
Q02
Q03
Q04

CABLE, 5 CONDUCTOR WITH EARTH. LAST CHARACTER IS CABLE LENGTH FROM 1 TO 9 METRES.

CONNECTOR - 4 PIN MICRO-CHANGE

CONNECTOR - 5 PIN M12

CONNECTOR - 4 PIN MINI-CHANGE

CONNECTOR - 5 PIN MINI-CHANGE

BLANK = NO MODIFICATION

NOTES:-

- RED EPOXY PAINT FINISHED ZINC DIE-CAST BODY AND STEEL COVER. BLACK EPOXY PAINT FINISHED ZINC DIE-CAST HEAD.
- FREE POSITION (F.P.), OPERATING POINT, OVERTRAVEL (O.T.) AND PRETRAVEL ALL TO EN50047.
- ANY STANDARD LISTING WITH SUFFIX 'RS' OR 'FE' IS PERMITTED.
- FOR CONNECTION DIAGRAMS AND ADDITIONAL ELECTRICAL, DIMENSIONAL AND ENVIRONMENTAL INFORMATION REFER TO DRAWING GL-49212.
- MAXIMUM TIGHTENING TORQUE FOR FIXING SCREWS = 0.5 Nm (4.4 in lb).
- HEAD AND COVER FIXED WITH TORX® SOCKET HEAD SCREWS (DRIVER SUPPLIED).
- LEVERS MAY BE ATTACHED AND KEYED TO THE SHAFT AT 10° INCREMENTS.

FIGURE 2

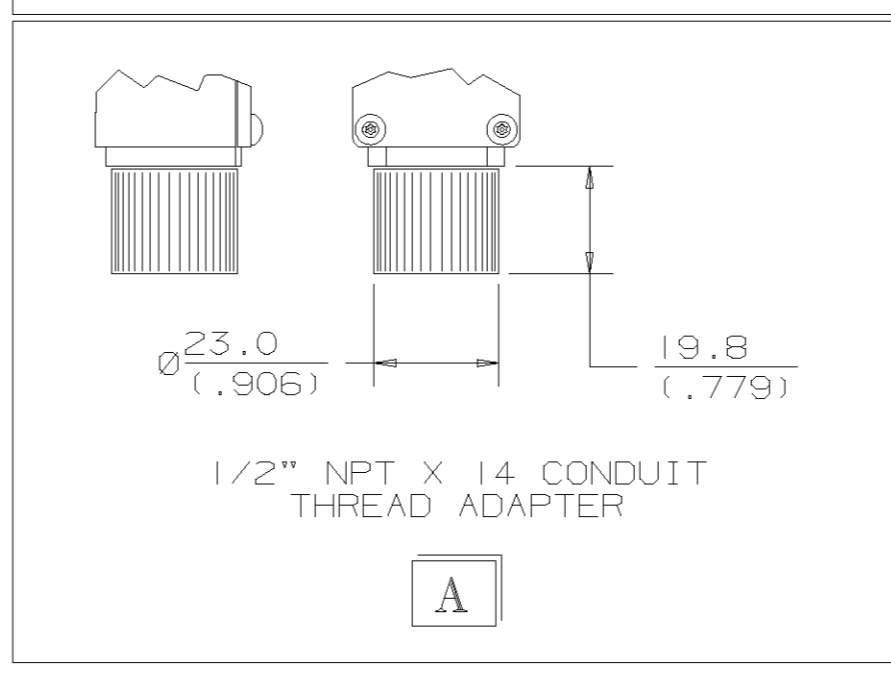
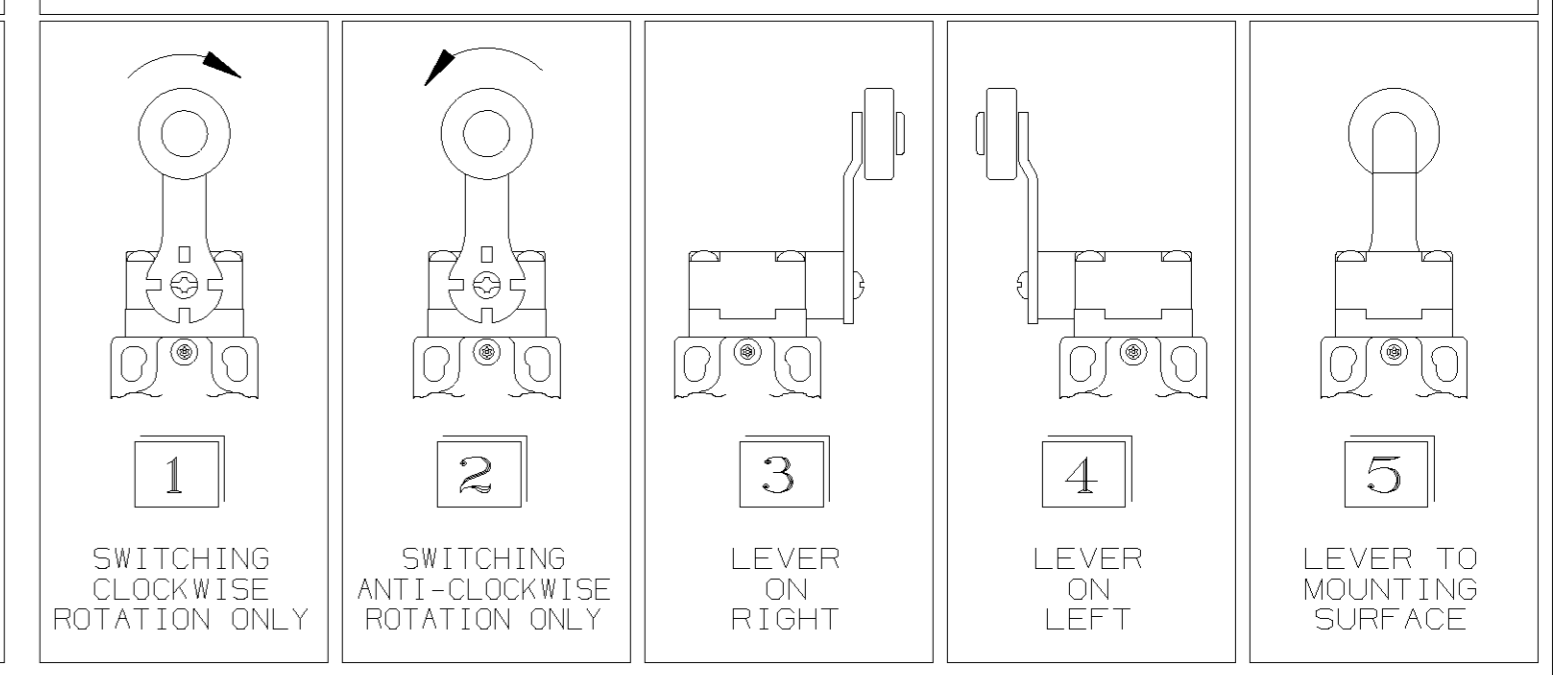


FIGURE 4



ELECTRICAL RATING				ENVIRONMENTAL		APPROVALS
SILVER CONTACTS		GOLD PLATED CONTACTS		IP66 NEMA 1, 4, 12, 13		
AC	DC	I _{th} = 10A		TEMP RANGE : -25°C TO 85°C -13°F TO 185°F		
A300 U _e	0300 U _e DC13 I _e	1V 10μA MIN. 50V 100mA MAX.		STORAGE : -40°C TO 85°C -40°F TO 185°F		
VOLTS	AMPS	VOLTS	AMPS	SHOCK : 50G PER IEC 68-2-27	VIBRATION : 10G PER IEC 68-2-6	IEC 947-5-1 EN50047
120	6	125	0.55			
240	3	250	0.27			

THE COPYRIGHT OF THIS DRAWING IS THE PROPERTY OF HONEYWELL LTD. THE DRAWING IS SUPPLIED IN CONFIDENCE AND MUST NOT BE USED FOR ANY PURPOSE OTHER THAN THAT FOR WHICH IT IS SUPPLIED.

THIRD ANGLE PROJECTION

SCALE:- 1/1

DIMENSIONS ARE IN MM (INCHES)

MODIFY ON CAD SYSTEM ONLY

NO CHANGES CAN BE MADE TO THIS DRAWING WITHOUT JOINT NEWHOUSE/FREEPORT APPROVAL