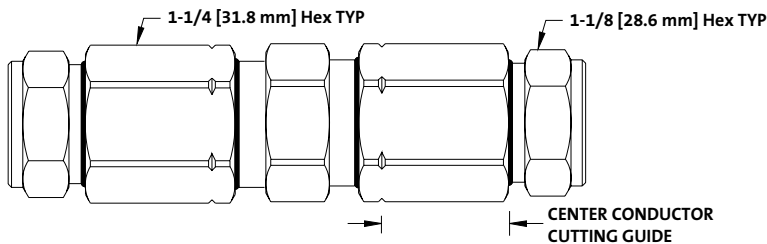


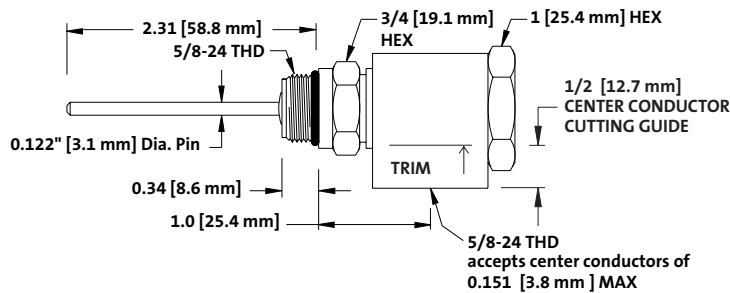
**Features:**

- Power Rating 25 (Amps Continuous) @ 10° C Rise.
- AC Operating Voltage 90 VAC 1 to 60 Hz.
- Above products also available with .067" pin. Contact Corning Gilbert Technical Support Team for information.



**Features:**

- Power Rating 25 (Amps Continuous) @ 10° C Rise.
- AC Operating Voltage 90 VAC 1 to 60 Hz.



**Pin Connector**

| Cable Type              | Part Number         |
|-------------------------|---------------------|
| CommScope 50 Ohm        | GRS-625/50-CH-122-T |
| Times Fiber 50 Ohm      | GRS-625/50-CH-122-T |
| CommScope Power Feeder® | GRS-625/PF-CH-122-T |
| Times Fiber P-22        | GRS-625/PF-CH-122-T |
| Times Fiber P-20        | GRS-625/20-CH-122-T |

| Stripping/Coring Tool | Cable Type |
|-----------------------|------------|
| G-SCT-625/50          | G-JCS-625  |
| G-SCT-625/50          | G-JCS-625  |
| G-SCT-625/PF          | G-JCS-625  |
| G-SCT-625/PF          | G-JCS-625  |
| G-SCT-625/P20         | G-JCS-625  |

**Splice Connector**

| Cable Type             | Part Number   |
|------------------------|---------------|
| CommScope 50 Ohm       | GRS-625/50-SP |
| Times Fiber 50 Ohm     | GRS-625/50-SP |
| CommScope Power Feeder | GRS-625/PF-SP |
| Times Fiber P-22       | GRS-625/PF-SP |
| Times Fiber P-20       | GRS-625/20-SP |

| Power Connector Recommended Tools | Cable Type |
|-----------------------------------|------------|
| G-SCT-625/50                      | G-JCS-625  |
| G-SCT-625/50                      | G-JCS-625  |
| G-SCT-625/PF                      | G-JCS-625  |
| G-SCT-625/PF                      | G-JCS-625  |
| G-SCT-625/P20                     | G-JCS-625  |

**90° Power Adapter**

| Part Number |
|-------------|
| GP-90-PWR-T |

**Features:**

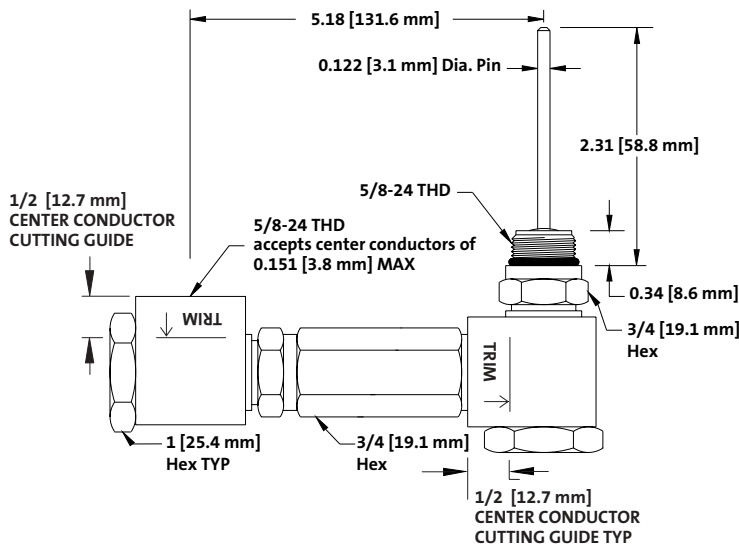
- Power Rating 25 (Amps Continuous) @ 10° C Rise.
- AC Operating Voltage 90 VAC 1 to 60 Hz.

**180° Power Adapter**

| Part Number |
|-------------|
| GP-PA-PWR-T |

**Features:**

- Power Rating 25 (Amps Continuous) @ 10° C Rise.
- AC Operating Voltage 90 VAC 1 to 60 Hz.



**Warning and Disclaimer:**

USE OF THESE POWER PRODUCTS MAY RESULT IN INJURY OR DEATH. BECAUSE THE APPLICATION AND THE CIRCUMSTANCES CONCERNING THE USE OF THIS PRODUCT ARE BEYOND THE CONTROL OF CORNING GILBERT INC., THE USER ASSUMES ALL RISKS ASSOCIATED WITH THE PRODUCT. CORNING GILBERT HEREBY DISCLAIMS ANY LIABILITY WHATSOEVER FOR INJURY OR DEATH CAUSED BY THE USE OR MISUSE OF THIS PRODUCT.